

BALDOR • RELIANCE

Customer information packet

BSM80C-3150AF

BSM80C-3150AF T'STAT ENCODER

Specifications

Enclosure	TENV
Nameplate Speed	4000
Agency Approvals	CE CSA TUV UR
Base Indicator	Bracket Mounted
Dimensional Drawing Numbers	S2LYP196
Frame	D100D
Motor Lead Quantity/Wire Size	3 @ 18 AWG
Motor Standards	IEC
Mounting Arrangement	F1
Nameplate Output	1.07KW
Shaft Rotation	Reversible

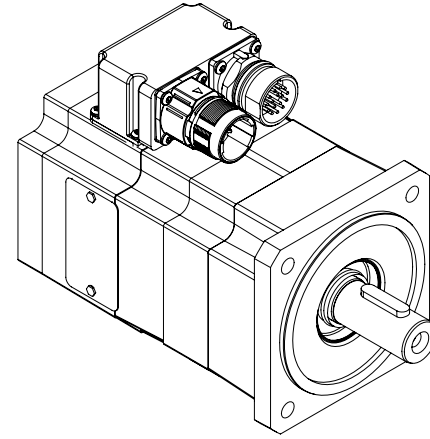
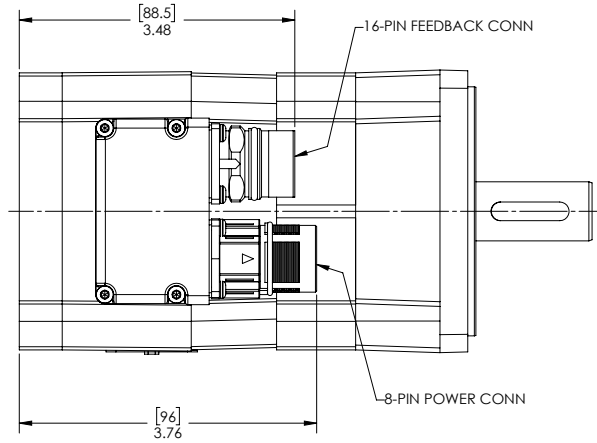
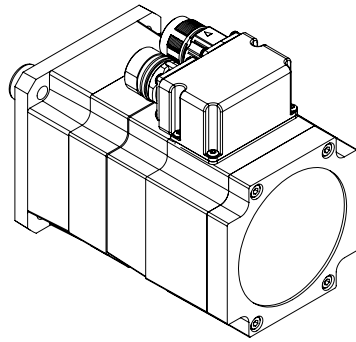
Part detail

Revision	Z
Type	AC
Mech. spec.	S2P196
Base	
Status	INA/A
Elec. spec.	S2WGW063
Layout	S2LYP196
Eff. date	06-15-2022
CD Diagram	CD0006A02
Poles	04
Leads	3#18
Proprietary	False
Created date	01-01-0001

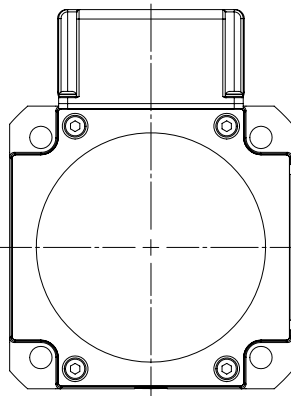
Nameplate

NP2864L									
CAT.NO.	BSM80C-3150AF								
BLANK									
SPEC.	S2P196W063								
MFG.NO.									
TORQ CONT STALL	3.6 NM								
CUR CONT STALL/A RMS	3.18								
POWER	1.07KW								
RATED SPEED/RPM(1/MIN)	4000								
RATED BUS VOLTS	600								
PEAK CUR/A RMS	8.11								
MAX SPEED/RPM(1/MIN)	7000			AMB.	25				
CLASS	F	IP	54	IC	410	MOTOR MASS	6.8		

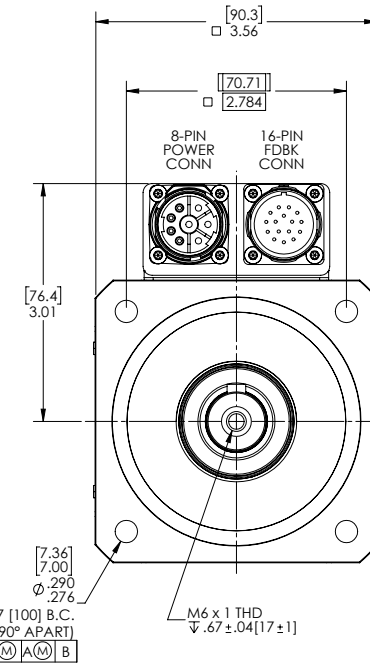
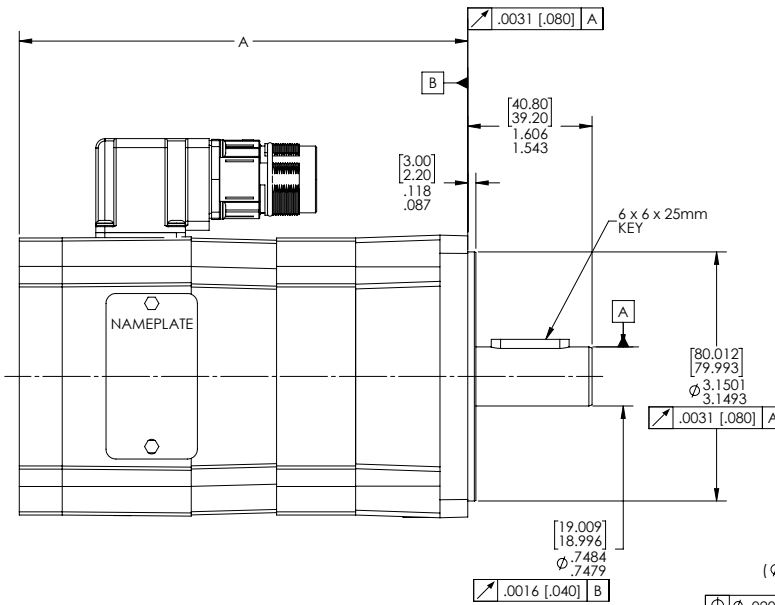
S2LYP196



REFERENCE	CODE	A
BSM80C-1	08	5.67 [144.0]
BSM80C-2	16	6.67 [169.4]
BSM80C-3	24	7.67 [194.8]
BSM80C-4	32	8.67 [220.2]



TOL UNLESS SPEC.
2 PLC INCH DEC. =
± .06" [1.5mm]
ANGLES ± 0.5°



CUSTOMER IS RESPONSIBLE FOR DETERMINING THAT BALDOR'S PRODUCT WILL PERFORM SUITABLY IN THE INTENDED APPLICATION

REV. DESC: LOAD TO SOLIDWORKS	REVISED: 04-04-05 02/16/2018	TDR: 000001061021
REV: D	VERSION: 04	REF: -
MODEL NO. S2LYP196		
BY: ENJEFFD0		

BALDOR
BSM80C, D56M19D100, ENCODER, RING MAGNET

9614ATCS

9614ATCS

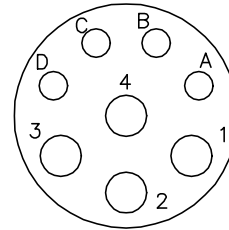
CD1297A04

MOTOR CONNECTIONS

PIN	FUNCTION	INTERNAL WIRE COLOR
A	*THERMAL SWITCH	YELLOW
B	*THERMAL SWITCH	YELLOW
C	*BRAKE	BLACK
D	*BRAKE	BLACK
1	U	BLACK
2	GROUND	GREEN OR **GREEN/YELLOW
3	W	BLUE
4	V	RED

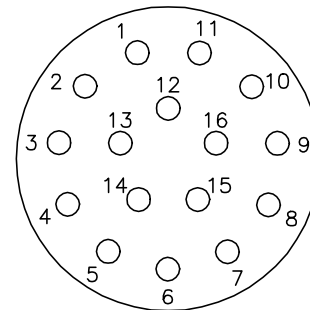
*WHEN REQUIRED

**CE MOTORS REQUIRE GREEN/YELLOW GROUND



8 PIN MOTOR CONNECTOR
THREADED CRIMP PIN STYLE

PIN	FUNCTION	WIRE COLOR
1	DC+5V	RED/BLUE
2	GROUND	BLUE/RED
3	CHANNEL A	BLUE
4	CHANNEL \bar{A}	ORANGE
5	CHANNEL B	GREEN
6	CHANNEL \bar{B}	BROWN
7	CHANNEL Z	BLACK
8	CHANNEL \bar{Z}	YELLOW
9	OPEN	---
10	CHANNEL U	WHITE/BROWN
11	CHANNEL \bar{U}	BROWN/WHITE
12	CHANNEL V	WHITE/GRAY
13	CHANNEL \bar{V}	GRAY/WHITE
14	CHANNEL W	RED/ORANGE
15	CHANNEL \bar{W}	ORANGE/RED
16	OPEN	---



16 PIN CONNECTOR
THREADED CRIMP PIN STYLE

16- #20 CONTACT SIZE
(CRIMP SIDE)

CD1297A04

REV. DESC: ADD CE NOTE AND GREEN/YELLOW GROUND

REV. LTR: A

VERSION: 01

TDR: 000001192301

FILE: \AAA\00115\154

REVISED: 02:31:08 06/13/2022

BY: ENDANDO

MTL: -



BALDOR - RELIANCE®

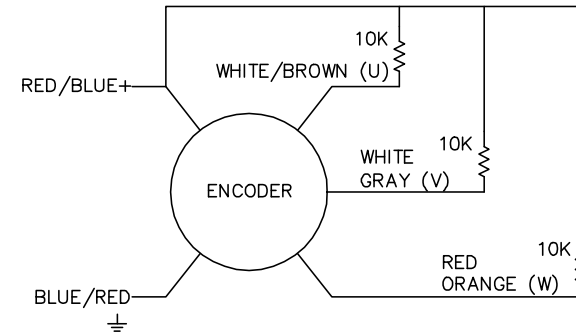
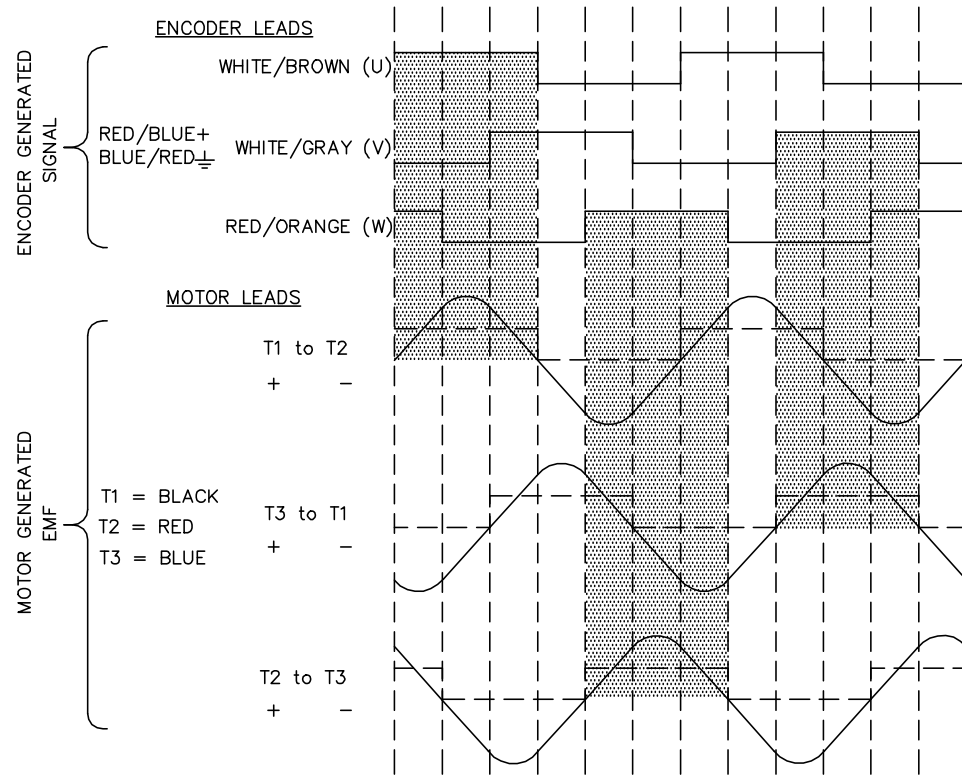
KOYO ENCODER (CHANNELS TO MATCH TMGW/SUMTAK OUTPUT)

SH 1 of 1

CD1338A01

BRUSHLESS D.C. COMMUTATION

8 POLE MECHANICAL DEGREES	0	15	30	45	60	75	90	105	120	135	150	165	180
4 POLE MECHANICAL DEGREES	0	30	60	90	120	150	180	210	240	270	300	330	360
ELECTRICAL DEGREES	0	60	120	180	240	300	360	420	480	540	600	660	720



NOTE:
CCW ROTATION VIEWING
MOTOR SHAFT END

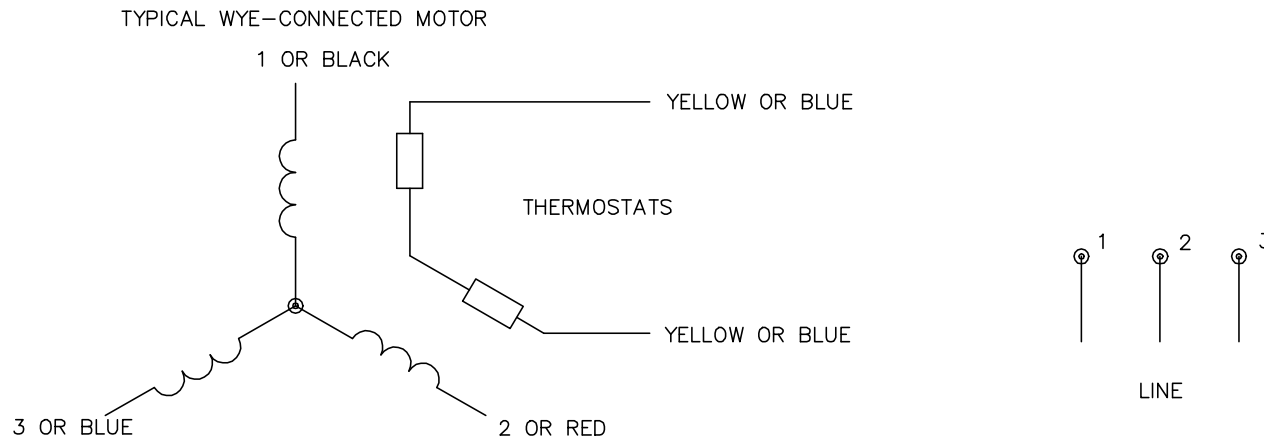
CD1338A01

REV. DESC: NEW		REVISED: 11:22:25 03/24/2004		TDR: 328266
REV. LTR: -	BY: FN	FILE: AAA00115153	REF: CD1338A01	
CD1338A01		MTL: -		

BALDOR ELECTRIC Co.

BLDC COMMUTATION KOYO ENC.(CHANNELS TO MATCH TMGW/SUMTAK)

CD0006A02



NOTES:

1. INTERCHANGE ANY TWO LINE LEADS TO REVERSE ROTATION.
2. ACTUAL NUMBER OF INTERNAL PARALLEL CIRCUITS MAY VARY.

REV. DESC: REMOVED "OPTIONAL" FROM PRINT, SERVO REQ'S T'STATS		
REV. LTR: D	VERSION: 03	TDR: 000000414937
CD0006A02	FILE: \AAA\00068\606	REVISED: 10:02:28 11/21/2006
	MTL: -	BY: ENJFDO

BALDOR ELECTRIC Co.

3PH, SV, 3 LEADS, WYE CONNECTED

CD0006A02