

BALDOR • RELIANCE

Customer information packet

BSM63N-275AF

BSM63N-275AF T'STAT, ENCODER

Specifications

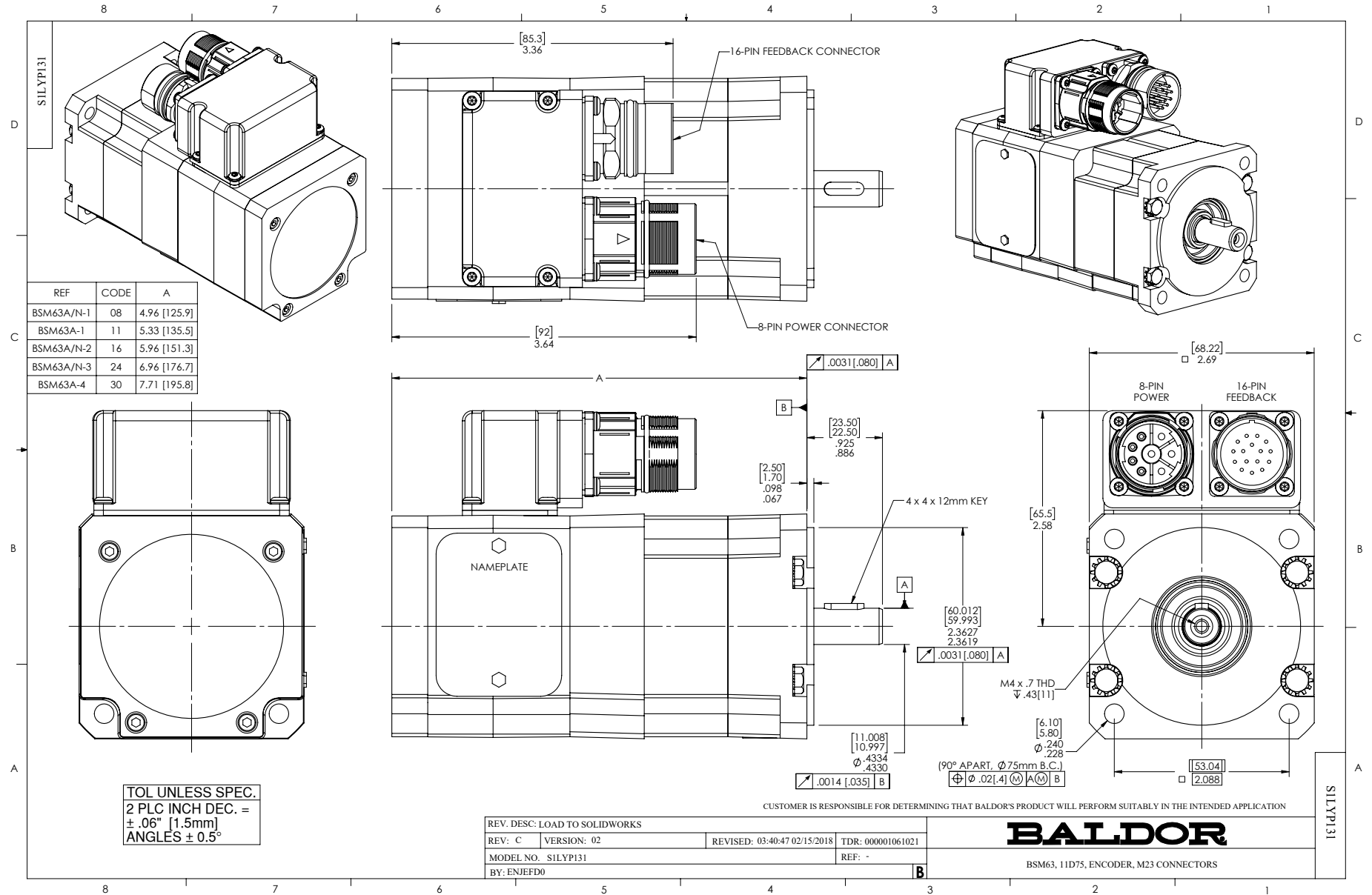
Enclosure	TENV
Nameplate Speed	4000
Agency Approvals	CE CSA TUV UR WEEE
Base Indicator	Bracket Mounted
Dimensional Drawing Numbers	S1LYP131
Frame	D75D
Frame Material	Exposed Laminations
Motor Lead Quantity/Wire Size	3 @ 18 AWG
Motor Standards	IEC
Mounting Arrangement	F1
Nameplate Output	0.53KW
Shaft Rotation	Reversible

Part detail

Revision	AE
Type	AC
Mech. spec.	S1P131
Base	
Status	PRD/A
Elec. spec.	S1WGW034
Layout	S1LYP131
Eff. date	12-02-2024
CD Diagram	CD0006A02
Poles	04
Leads	3#18
Proprietary	False
Created date	01-01-0001

Nameplate

NP2859L						
CAT.						
SPEC	S1P131W034					
MFG						
TORQ CONT STALL	1.34 NM					
CUR CONT STALL/A RMS	1.89					
POWER	0.47KW					
RATED SPEED/RPM(1/MIN)	4000					
RATED BUS VOLTS	320					
PEAK CUR/A RMS	7.56					
MAX SPEED/RPM(1/MIN)	10000				WT.	3
CLASS	F	IP	54	IC	410	25C RATED



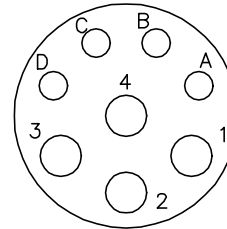
CD1297A04

MOTOR CONNECTIONS

PIN	FUNCTION	INTERNAL WIRE COLOR
A	*THERMAL SWITCH	YELLOW
B	*THERMAL SWITCH	YELLOW
C	*BRAKE	BLACK
D	*BRAKE	BLACK
1	U	BLACK
2	GROUND	GREEN OR **GREEN/YELLOW
3	W	BLUE
4	V	RED

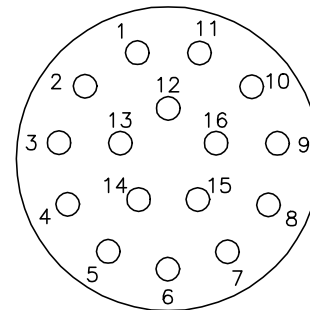
*WHEN REQUIRED

**CE MOTORS REQUIRE GREEN/YELLOW GROUND



8 PIN MOTOR CONNECTOR
THREADED CRIMP PIN STYLE

PIN	FUNCTION	WIRE COLOR
1	DC+5V	RED/BLUE
2	GROUND	BLUE/RED
3	CHANNEL A	BLUE
4	CHANNEL \bar{A}	ORANGE
5	CHANNEL B	GREEN
6	CHANNEL \bar{B}	BROWN
7	CHANNEL Z	BLACK
8	CHANNEL \bar{Z}	YELLOW
9	OPEN	---
10	CHANNEL U	WHITE/BROWN
11	CHANNEL \bar{U}	BROWN/WHITE
12	CHANNEL V	WHITE/GRAY
13	CHANNEL \bar{V}	GRAY/WHITE
14	CHANNEL W	RED/ORANGE
15	CHANNEL \bar{W}	ORANGE/RED
16	OPEN	---



16 PIN CONNECTOR
THREADED CRIMP PIN STYLE

16- #20 CONTACT SIZE
(CRIMP SIDE)

CD1297A04

REV. DESC: ADD CE NOTE AND GREEN/YELLOW GROUND

REV. LTR: A

VERSION: 01

TDR: 000001192301

FILE: \AAA\00115\154

REVISED: 02:31:08 06/13/2022

BY: ENDANDO

MTL: -



BALDOR - RELIANCE®

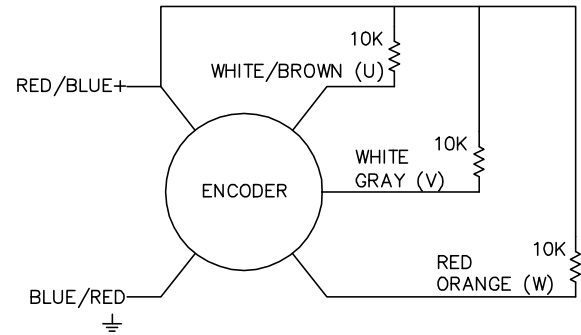
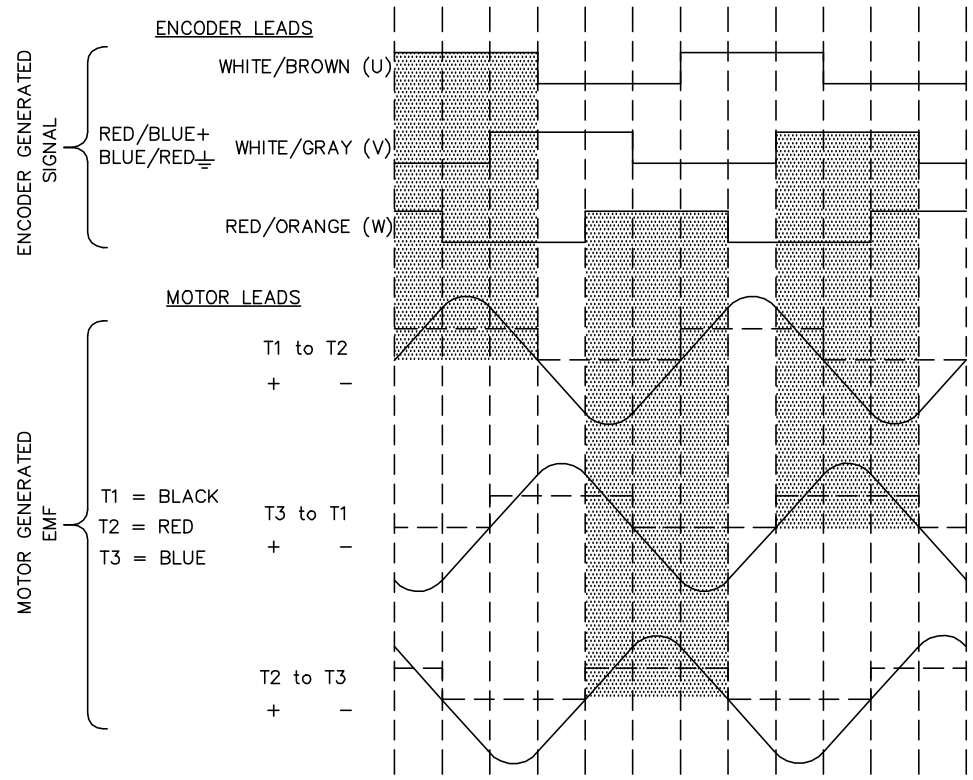
KOYO ENCODER (CHANNELS TO MATCH TMGW/SUMTAK OUTPUT)

SH 1 of 1

CD1338A01

BRUSHLESS D.C. COMMUTATION

8 POLE MECHANICAL DEGREES	0	15	30	45	60	75	90	105	120	135	150	165	180
4 POLE MECHANICAL DEGREES	0	30	60	90	120	150	180	210	240	270	300	330	360
ELECTRICAL DEGREES	0	60	120	180	240	300	360	420	480	540	600	660	720



NOTE:
CCW ROTATION VIEWING
MOTOR SHAFT END

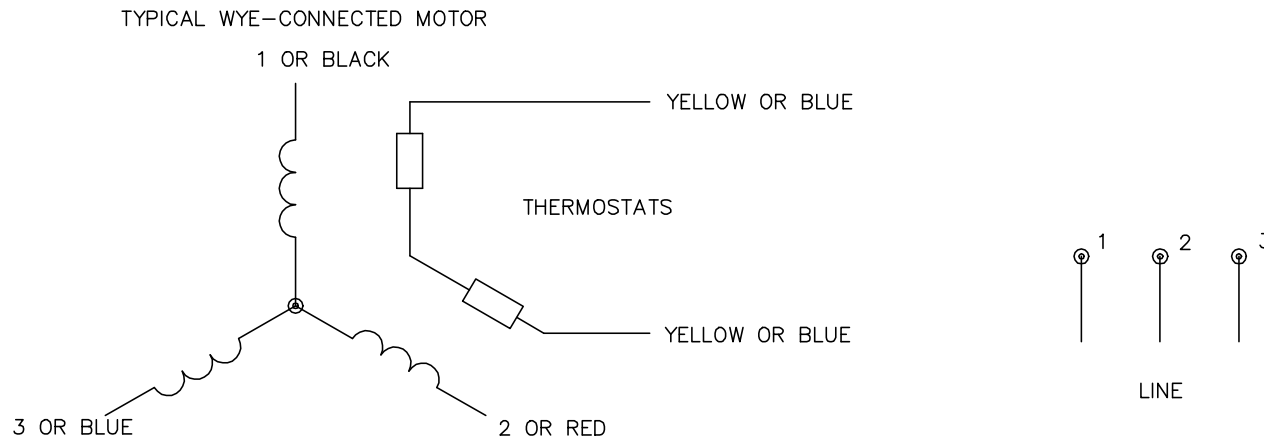
CD1338A01

REV. DESC: NEW			
REV. LTR: -	BY: FN	REVISED: 11:22:25 03/24/2004	TDR: 328266
CD1338A01		FILE: AAA00115153	REF: CD1338A01
		MTL: -	

BALDOR ELECTRIC Co.

BLDC COMMUTATION KOYO ENC.(CHANNELS TO MATCH TMGW/SUMTAK)

CD0006A02



NOTES:

1. INTERCHANGE ANY TWO LINE LEADS TO REVERSE ROTATION.
2. ACTUAL NUMBER OF INTERNAL PARALLEL CIRCUITS MAY VARY.

REV. DESC: REMOVED "OPTIONAL" FROM PRINT, SERVO REQ'S T'STATS		
REV. LTR: D	VERSION: 03	TDR: 000000414937
CD0006A02	FILE: \AAA\00068\606	REVISED: 10:02:28 11/21/2006
	MTL: -	BY: ENJEFD0

BALDOR ELECTRIC Co.

3PH, SV, 3 LEADS, WYE CONNECTED

CD0006A02