

**BALDOR® • RELIANCE®**

---

# Customer information packet

## BSM132C-6200AF

BSM132C-6200AF T'STAT, ENCODER

**Specifications**

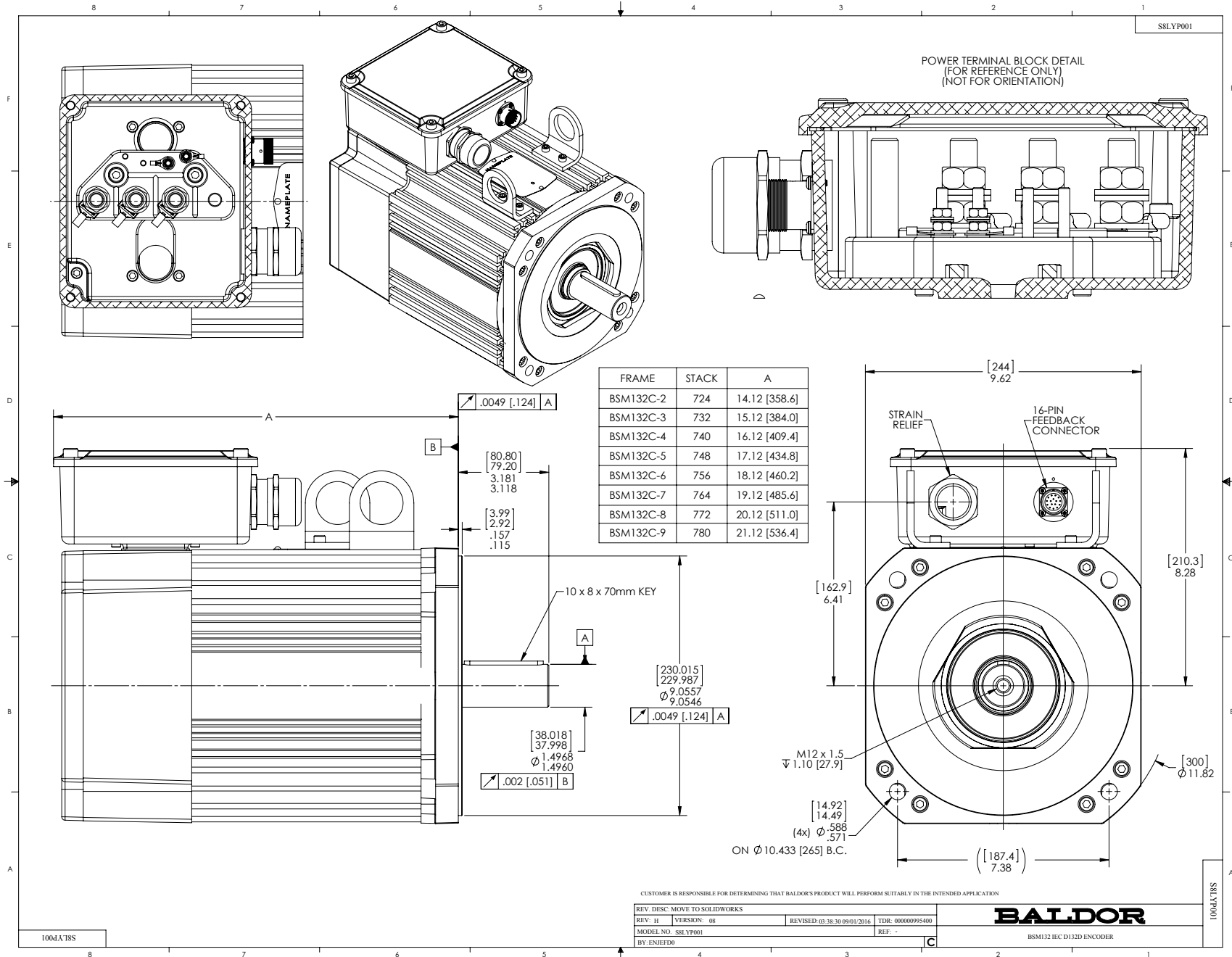
<b>Enclosure</b>	TENV
<b>Nameplate Speed</b>	3500
<b>Base Indicator</b>	Bracket Mounted
<b>Dimensional Drawing Numbers</b>	S8LYP001
<b>Frame</b>	D132D
<b>Motor Lead Quantity/Wire Size</b>	3 @ 10 AWG
<b>Motor Standards</b>	IEC
<b>Mounting Arrangement</b>	F1
<b>Nameplate Output</b>	9.8KW
<b>Shaft Rotation</b>	Reversible

**Part detail**

<b>Revision</b>	U
<b>Type</b>	AC
<b>Mech. spec.</b>	S8P001
<b>Base</b>	
<b>Status</b>	PRD/A
<b>Elec. spec.</b>	S8WGW019
<b>Layout</b>	S8LYP001
<b>Eff. date</b>	07-16-2024
<b>CD Diagram</b>	CD0006A02
<b>Poles</b>	08
<b>Leads</b>	3#8 Y
<b>Proprietary</b>	False
<b>Created date</b>	07-08-2010

**Nameplate**

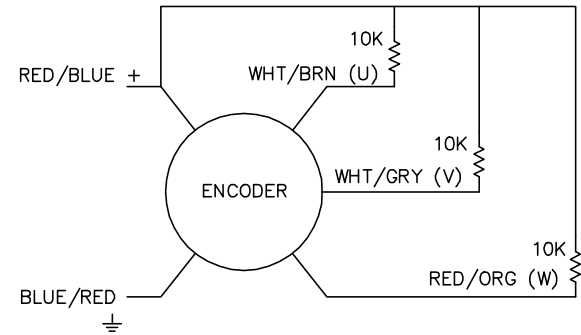
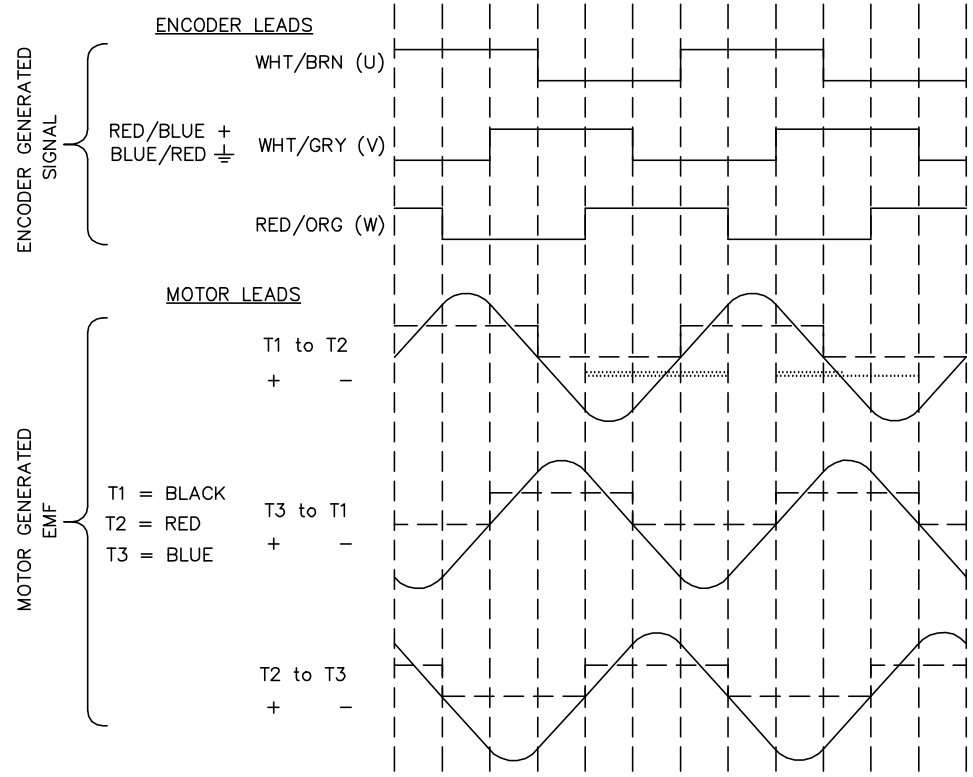
<b>NP3306L</b>					
<b>CAT.NO.</b>	BSM132C-6200AF				
<b>SPEC.</b>	S8P001W019				
<b>MFG.NO.</b>					
<b>TORQ CONT STALL</b>	105 NM				
<b>CUR CONT STALL/A RMS</b>	67				
<b>POWER</b>	26KW				
<b>RATED SPEED/RPM(1/MIN)</b>	3500				
<b>RATED BUS VOLTS</b>	650				
<b>MAX SPEED/RPM(1/MIN)</b>	5000				
<b>PEAK CUR/A RMS</b>	160				
<b>MAXIMUM POWER/KW</b>	26KW				
<b>TORQ PEAK STALL/NM</b>	240				
<b>TORQ CONSTANT-NM/A</b>	1.565				
<b>IP</b>	54	<b>IC</b>	410	<b>KG</b>	85



CD1338A06

### BRUSHLESS D.C. COMMUTATION

8 POLE MECHANICAL DEGREES	0	15	30	45	60	75	90	105	120	135	150	165	180
4 POLE MECHANICAL DEGREES	0	30	60	90	120	150	180	210	240	270	300	330	360
ELECTRICAL DEGREES	0	60	120	180	240	300	360	420	480	540	600	660	720



**NOTE:**  
 CCW ROTATION VIEWING  
 MOTOR SHAFT END

REV. DESC: UPDATED ENCODER COLORS TO CURRENT STANDARD		
REV. LTR: A	VERSION: 01	TDR: 000000437502
CD1338A06	FILE: \AAA\00129\958	REVISED: 10:22:27 08/09/2007
	MTL: -	BY: ENJFDO

**Baldor • Dodge • Reliance**

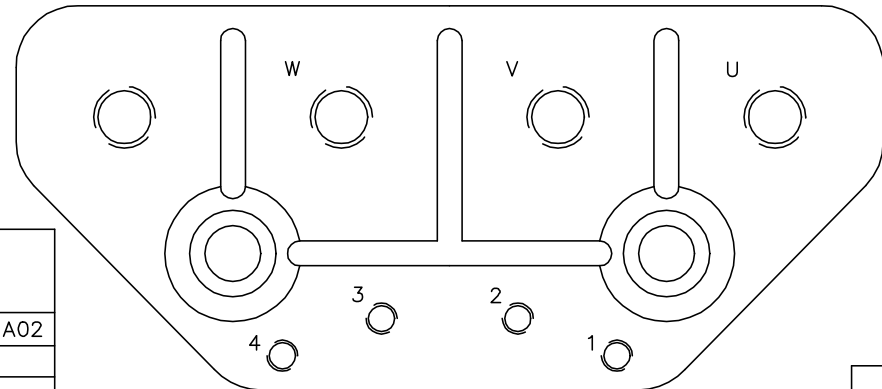
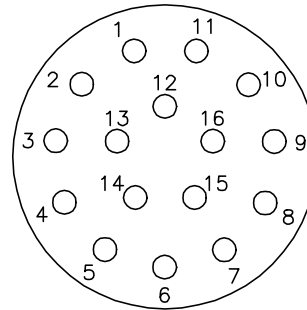
BLDC COMMUTATION DYNAPAR F14 (CHNNLS MATCH TMGW SUMTAK KOYO)

CD1338A06

CD2008A01

PIN	FUNCTION	WIRE COLOR
1	DC+5V	RED/BLUE
2	GROUND	BLUE/RED
3	CHANNEL A	BLUE
4	CHANNEL $\bar{A}$	ORANGE
5	CHANNEL B	GREEN
6	CHANNEL $\bar{B}$	BROWN
7	CHANNEL Z	BLACK
8	CHANNEL $\bar{Z}$	YELLOW
9	OPEN	---
10	CHANNEL U	WHITE/BROWN
11	CHANNEL $\bar{U}$	BROWN/WHITE
12	CHANNEL V	WHITE/GRAY
13	CHANNEL $\bar{V}$	GRAY/WHITE
14	CHANNEL W	RED/ORANGE
15	CHANNEL $\bar{W}$	ORANGE/RED
16	OPEN	---

16 PIN THREADED CONNECTOR  
(INSERTION SIDE)



MOTOR CONNECTIONS

TERMINAL LABEL	FUNCTION	INTERNAL WIRE MARKING		
		CD0006	or	CD0006A02
1	THERMAL SWITCH		YELLOW	
2	THERMAL SWITCH		YELLOW	
3	BRAKE (OPTIONAL)		BLACK	
4	BRAKE (OPTIONAL)		BLACK	
$\perp$	GROUND		--	
U	PHASE U	(T1) BLUE	or	(T1) BLACK
V	PHASE V	(T2) WHITE		(T2) RED
W	PHASE W	(T3) ORANGE		(T3) BLUE

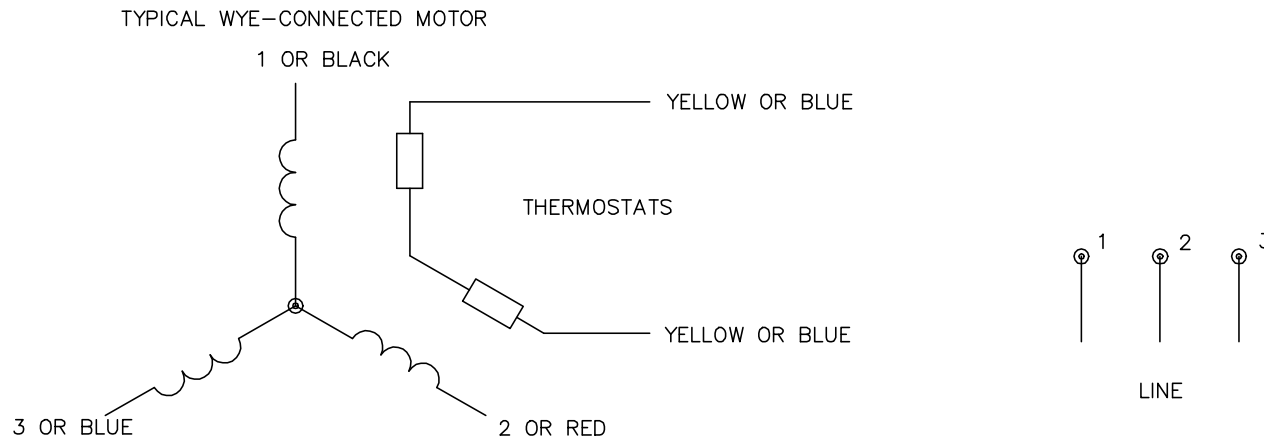
CD2008A01

REV. DESC: ADD COLORS TO MOTOR PHASES		
REV. LTR: B	VERSION: 02	TDR: 000000802466
FILE: \AAA\00144\962	REVISED: 09:53:48 06/04/2013	
MTL: --	BY: ENJEFD0	

**BALDOR**

CONN DIAG BSM132, DANAHER ENCODER, WD1327A02 TERM BLOCK, 16P  
SH 1 of 1

CD0006A02



NOTES:

1. INTERCHANGE ANY TWO LINE LEADS TO REVERSE ROTATION.
2. ACTUAL NUMBER OF INTERNAL PARALLEL CIRCUITS MAY VARY.

REV. DESC: REMOVED "OPTIONAL" FROM PRINT, SERVO REQ'S T'STATS		
REV. LTR: D	VERSION: 03	TDR: 000000414937
Z0V90000C CD0006A02	FILE: \AAA\00068\606	REVISED: 10:02:28 11/21/2006
	MTL: -	BY: ENJEFD0

**BALDOR ELECTRIC Co.**

3PH, SV, 3 LEADS, WYE CONNECTED

CD0006A02