

**BALDOR • RELIANCE**

---

# Customer information packet

## BSM132C-6200AA

BSM132C-6200AA T'STAT, RESOLVER

**Specifications**

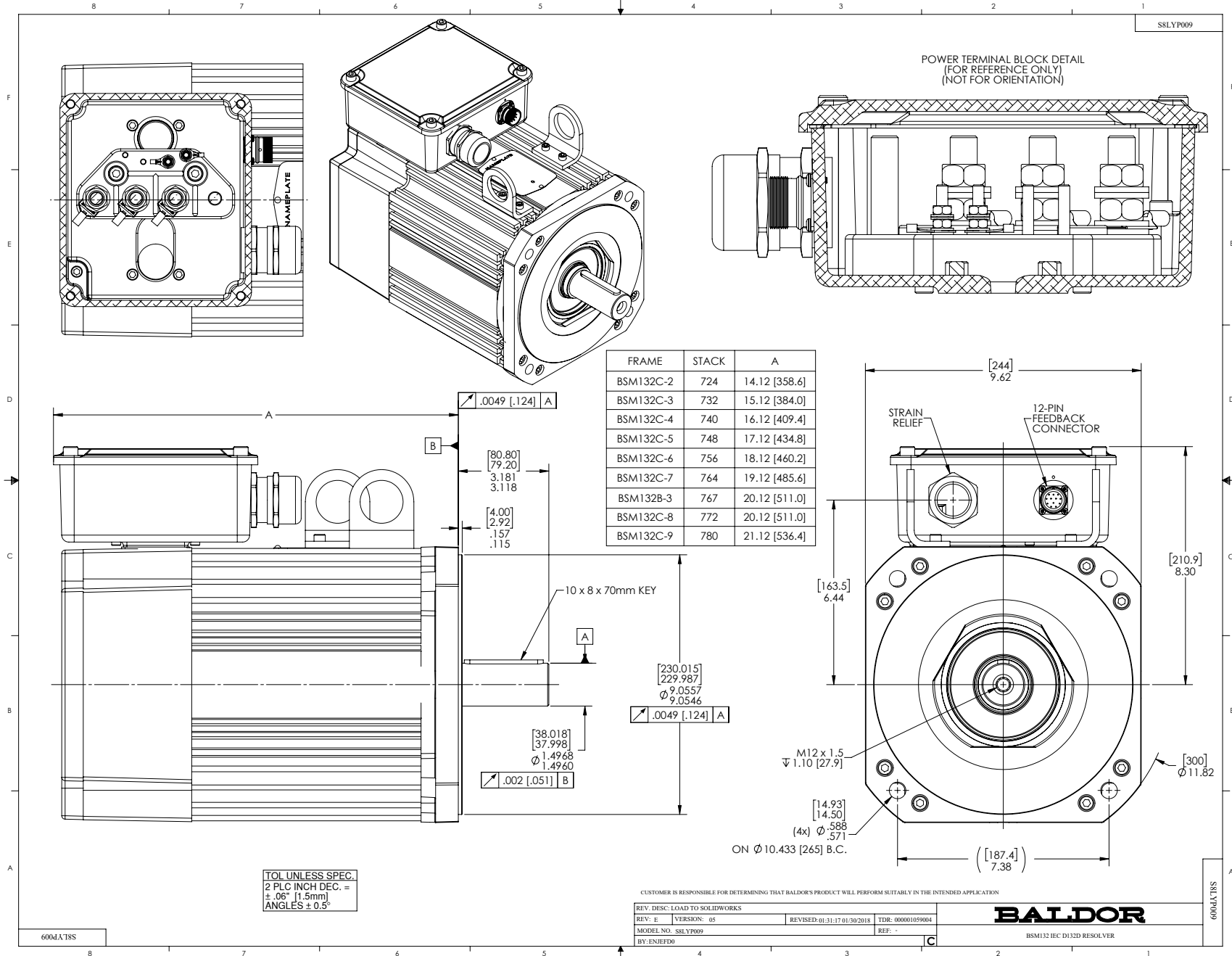
<b>Enclosure</b>	TENV
<b>Nameplate Speed</b>	3500
<b>Agency Approvals</b>	WEEE
<b>Base Indicator</b>	Bracket Mounted
<b>Dimensional Drawing Numbers</b>	S8LYP009
<b>Frame</b>	D132D
<b>Motor Lead Quantity/Wire Size</b>	3 @ 8 AWG
<b>Motor Standards</b>	IEC
<b>Mounting Arrangement</b>	F1
<b>Nameplate Output</b>	9.8KW
<b>Shaft Rotation</b>	Reversible

**Part detail**

<b>Revision</b>	AA
<b>Type</b>	AC
<b>Mech. spec.</b>	S8P009
<b>Base</b>	
<b>Status</b>	PRD/A
<b>Elec. spec.</b>	S8WGW019
<b>Layout</b>	S8LYP009
<b>Eff. date</b>	07-16-2024
<b>CD Diagram</b>	CD0006A02
<b>Poles</b>	08
<b>Leads</b>	3#8 Y
<b>Proprietary</b>	False
<b>Created date</b>	07-28-2009

**Nameplate**

<b>NP3306L</b>					
<b>CAT.NO.</b>	BSM132C-6200AA				
<b>SPEC.</b>	S8P009W019				
<b>MFG.NO.</b>					
<b>TORQ CONT STALL</b>	105 NM				
<b>CUR CONT STALL/A RMS</b>	67				
<b>POWER</b>	26KW				
<b>RATED SPEED/RPM(1/MIN)</b>	3500				
<b>RATED BUS VOLTS</b>	650				
<b>MAX SPEED/RPM(1/MIN)</b>	5000				
<b>PEAK CUR/A RMS</b>	160				
<b>MAXIMUM POWER/KW</b>	26KW				
<b>TORQ PEAK STALL/NM</b>	240				
<b>TORQ CONSTANT-NM/A</b>	1.565				
<b>IP</b>	54	<b>IC</b>	410	<b>KG</b>	85

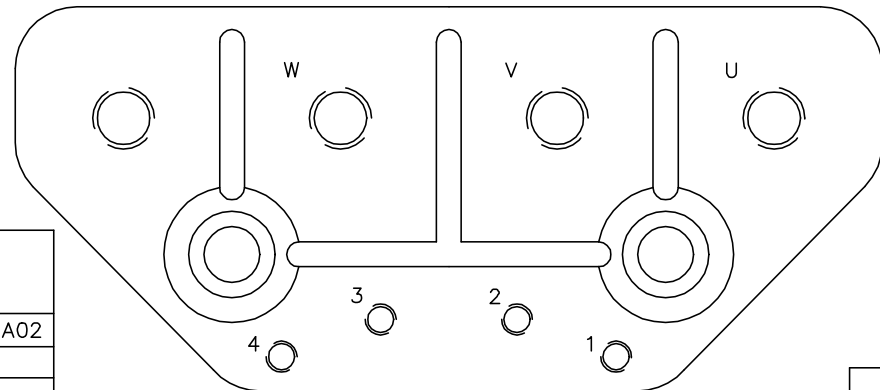
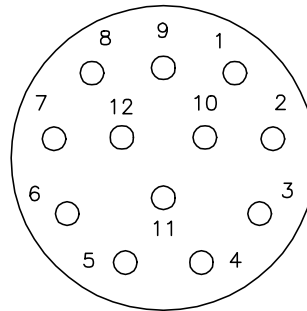


CD2008A02

RESOLVER CONNECTIONS

PIN	FUNCTION	WIRE COLOR
1	REF HI R1	RED/WHITE
2	REF LO R2	YELLOW/WHITE
3	COS+ S1	RED
4	COS- S3	BLACK
5	SIN+ S2	BLUE
6	SIN- S4	YELLOW
7	-	-
8	-	-
9	-	-
10	-	-
11	-	-
12	-	-

12 PIN THREADED CONNECTOR  
(INSERTION SIDE)



MOTOR CONNECTIONS

TERMINAL LABEL	FUNCTION	INTERNAL WIRE MARKING		
		CD0006	or	CD0006A02
1	THERMAL SWITCH		YELLOW	
2	THERMAL SWITCH		YELLOW	
3	BRAKE (OPTIONAL)		BLACK	
4	BRAKE (OPTIONAL)		BLACK	
$\perp$	GROUND		-	
U	PHASE U	(T1) BLUE	or	(T1) BLACK
V	PHASE V	(T2) WHITE		(T2) RED
W	PHASE W	(T3) ORANGE		(T3) BLUE



CD2008A02

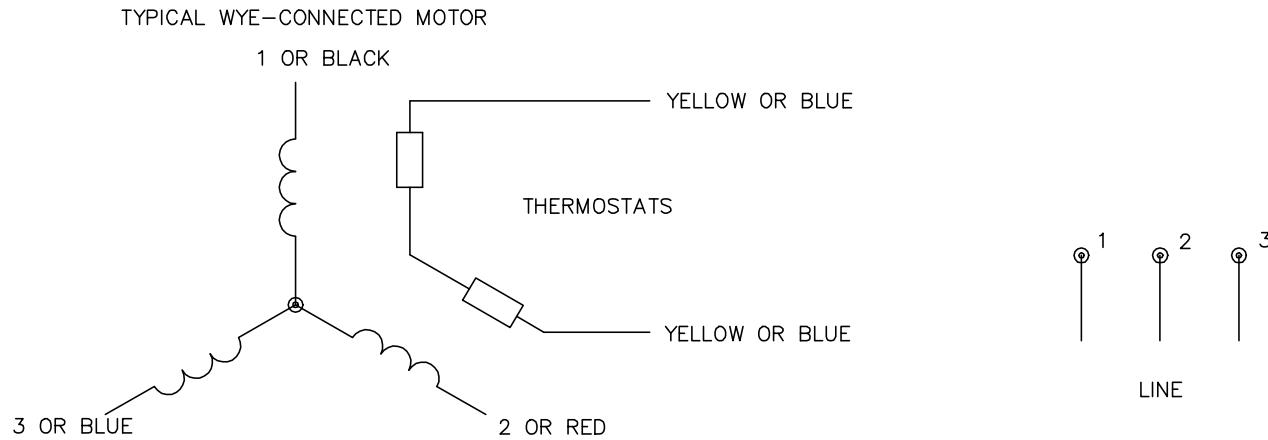
REV. DESC: ADD COLORS TO MOTOR PHASES		
REV. LTR: A	VERSION: 01	TDR: 000000802466
FILE: \AAA\00153\837	REVISED: 10:35:50 06/04/2013	
MTL: -	BY: ENJEFO	

**BALDOR**

CONN DIAG BSM132, RESOLVER, WD1327A02 TERM BLOCK, 12P

SH 1 of 1

CD0006A02



NOTES:

1. INTERCHANGE ANY TWO LINE LEADS TO REVERSE ROTATION.
2. ACTUAL NUMBER OF INTERNAL PARALLEL CIRCUITS MAY VARY.

REV. DESC: REMOVED "OPTIONAL" FROM PRINT, SERVO REQ'S T'STATS		
REV. LTR: D	VERSION: 03	TDR: 000000414937
CD0006A02	FILE: \AAA\00068\606	REVISED: 10:02:28 11/21/2006
	MTL: -	BY: ENJEFD0

**BALDOR ELECTRIC Co.**

3PH, SV, 3 LEADS, WYE CONNECTED

CD0006A02