

ABB BALDOR RELIANCE III

Customer information packet

BSM132C-5200AF

BSM132C-5200AF T'STAT, ENCODER

Specifications

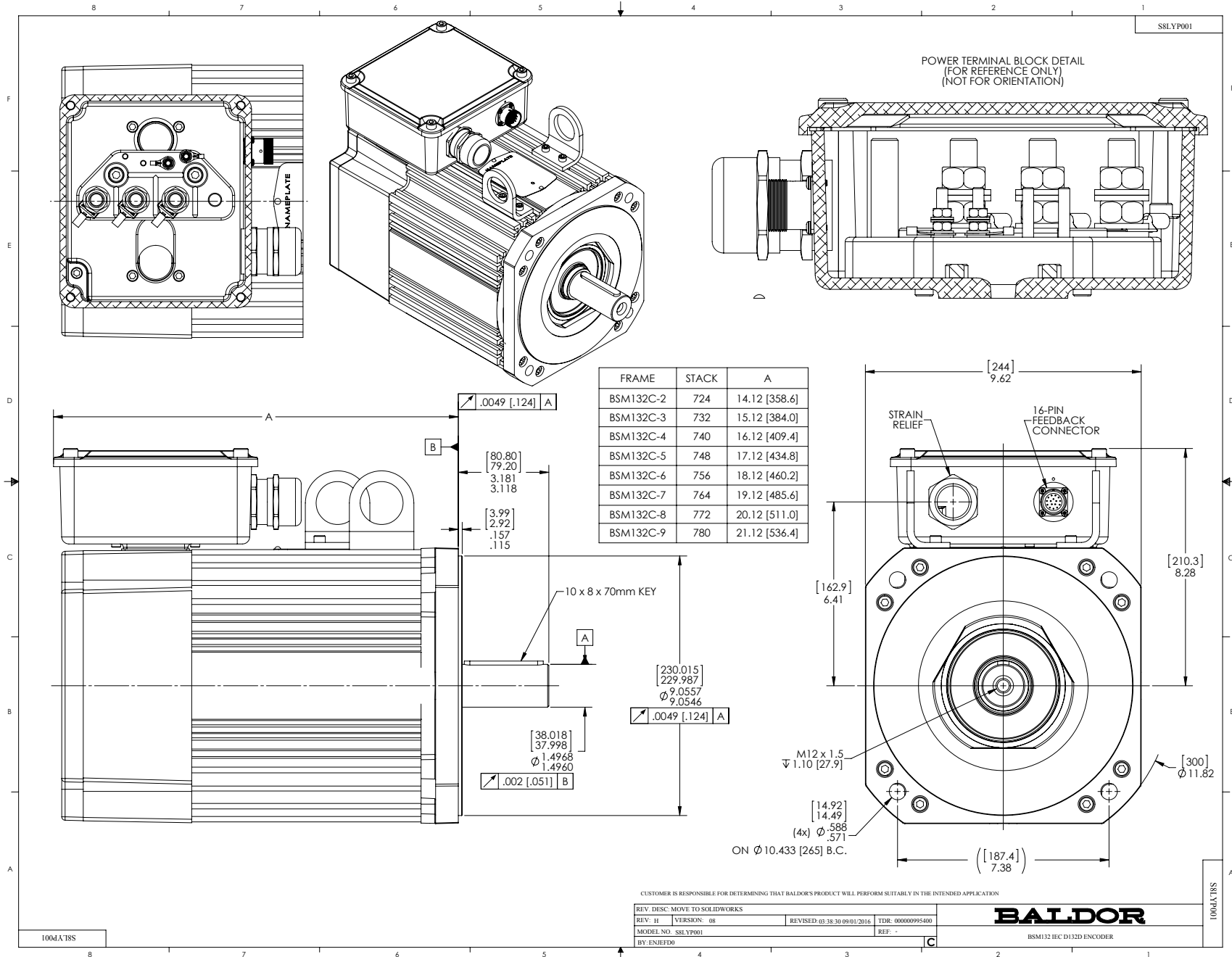
Enclosure	TENV
Nameplate Speed	3500
Base Indicator	Bracket Mounted
Dimensional Drawing Numbers	S8LYP001
Frame	D132D
Motor Lead Quantity/Wire Size	6 @ 10 AWG
Motor Standards	IEC
Mounting Arrangement	F1
Nameplate Output	7.87KW
Shaft Rotation	Reversible

Part Detail

Revision	Q
Type	AC
Mech. spec.	S8P001
Base	
Status	INA/A
Elec. spec.	S8WGW018
Layout	S8LYP001
Eff. date	01-28-2022
CD Diagram	CD0006A02
Poles	08
Leads	3#10 (02 per group) Y
Proprietary	False
Created date	07-08-2010

Nameplate

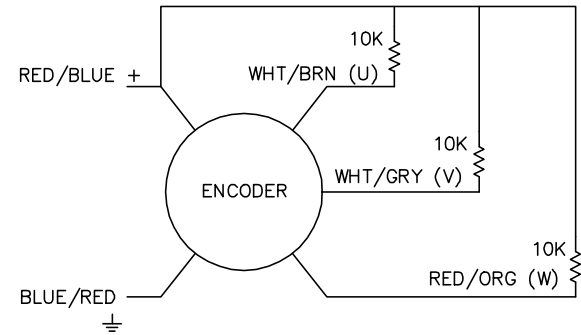
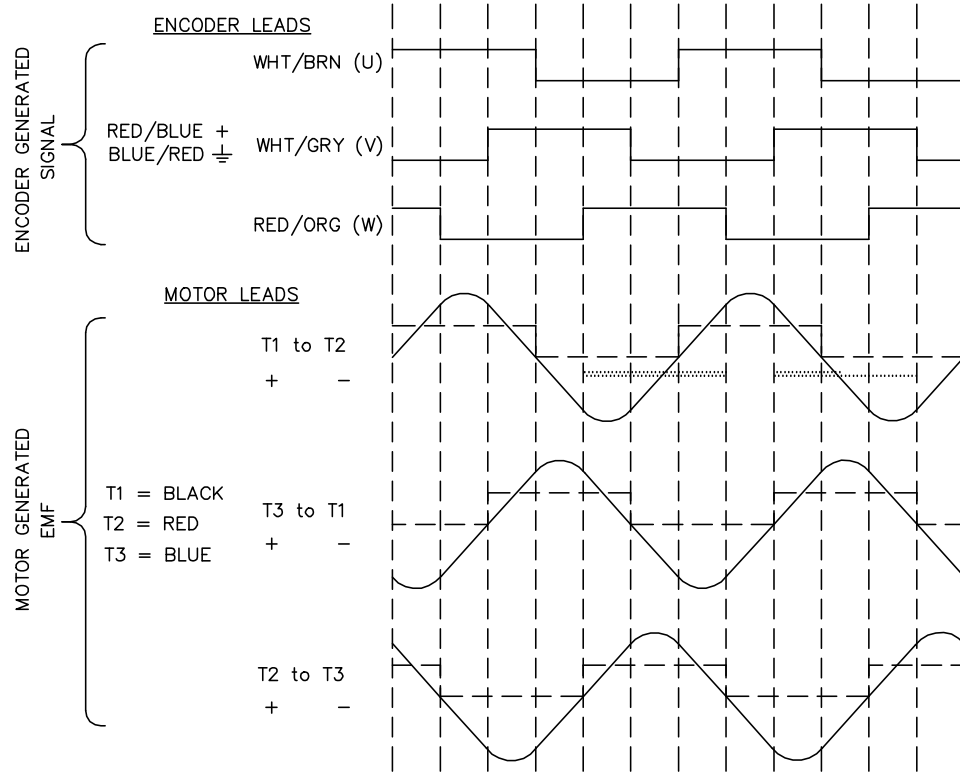
NP3306L				
CAT.NO.	BSM132C-5200AF			
SPEC.	S8P001W018			
MFG.NO.				
TORQ CONT STALL	87 NM			
CUR CONT STALL/A RMS	62.8			
POWER	10.98KW			
RATED SPEED/RPM(1/MIN)	3500			
RATED BUS VOLTS	650			
MAX SPEED/RPM(1/MIN)	5000			
PEAK CUR/A RMS	189			
MAXIMUM POWER/KW	10.98KW			
TORQ PEAK STALL/NM	261			
TORQ CONSTANT-NM/A	1.63			
IP	54	IC	410	KG 82



CD1338A06

BRUSHLESS D.C. COMMUTATION

8 POLE MECHANICAL DEGREES	0	15	30	45	60	75	90	105	120	135	150	165	180
4 POLE MECHANICAL DEGREES	0	30	60	90	120	150	180	210	240	270	300	330	360
ELECTRICAL DEGREES	0	60	120	180	240	300	360	420	480	540	600	660	720



NOTE:
CCW ROTATION VIEWING
MOTOR SHAFT END

REV. DESC: UPDATED ENCODER COLORS TO CURRENT STANDARD		
REV. LTR: A	VERSION: 01	TDR: 000000437502
CD1338A06	FILE: \AAA\00129\958	REVISED: 10:22:27 08/09/2007
	MTL: -	BY: ENJFDO

Baldor • Dodge • Reliance

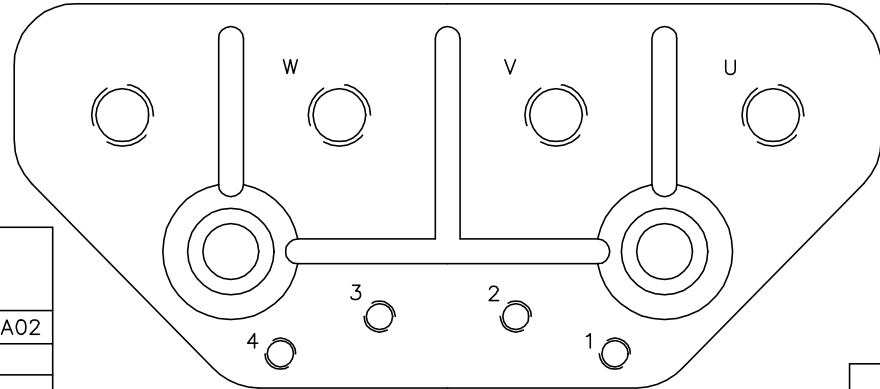
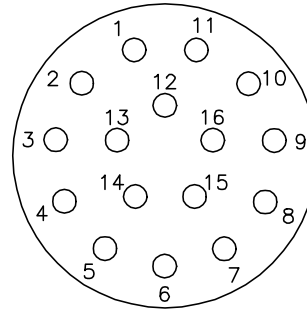
BLDC COMMUTATION DYNAPAR F14 (CHNNLS MATCH TMGW SUMTAK KOYO)

CD1338A06

CD2008A01

PIN	FUNCTION	WIRE COLOR
1	DC+5V	RED/BLUE
2	GROUND	BLUE/RED
3	CHANNEL A	BLUE
4	CHANNEL \bar{A}	ORANGE
5	CHANNEL B	GREEN
6	CHANNEL \bar{B}	BROWN
7	CHANNEL Z	BLACK
8	CHANNEL \bar{Z}	YELLOW
9	OPEN	---
10	CHANNEL U	WHITE/BROWN
11	CHANNEL \bar{U}	BROWN/WHITE
12	CHANNEL V	WHITE/GRAY
13	CHANNEL \bar{V}	GRAY/WHITE
14	CHANNEL W	RED/ORANGE
15	CHANNEL \bar{W}	ORANGE/RED
16	OPEN	---

16 PIN THREADED CONNECTOR
(INSERTION SIDE)



MOTOR CONNECTIONS

TERMINAL LABEL	FUNCTION	INTERNAL WIRE MARKING		
		CD0006	or	CD0006A02
1	THERMAL SWITCH		YELLOW	
2	THERMAL SWITCH		YELLOW	
3	BRAKE (OPTIONAL)		BLACK	
4	BRAKE (OPTIONAL)		BLACK	
\perp	GROUND		--	
U	PHASE U	(T1) BLUE	or	(T1) BLACK
V	PHASE V	(T2) WHITE		(T2) RED
W	PHASE W	(T3) ORANGE		(T3) BLUE

REV. DESC: ADD COLORS TO MOTOR PHASES		
REV. LTR: B	VERSION: 02	TDR: 000000802466
FILE: \AAA\00144\962	REVISED: 09:53:48 06/04/2013	
MTL: --	BY: ENJEFD0	

BALDOR

CONN DIAG BSM132, DANAHER ENCODER, WD1327A02 TERM BLOCK, 16P
SH 1 of 1

CD2008A01

CD0006A02



NOTES:

1. INTERCHANGE ANY TWO LINE LEADS TO REVERSE ROTATION.
2. ACTUAL NUMBER OF INTERNAL PARALLEL CIRCUITS MAY VARY.

REV. DESC: REMOVED "OPTIONAL" FROM PRINT, SERVO REQ'S T'STATS		
REV. LTR: D	VERSION: 03	TDR: 000000414937
CD0006A02	FILE: \AAA\00068\606	REVISED: 10:02:28 11/21/2006
	MTL: -	BY: ENJEFD0

BALDOR ELECTRIC Co.

3PH, SV, 3 LEADS, WYE CONNECTED

CD0006A02