

ABB BALDOR RELIANCE III

Customer information packet BSM100C-5250AF

BSM100C-5250AF T'STAT ENCODER

Specifications

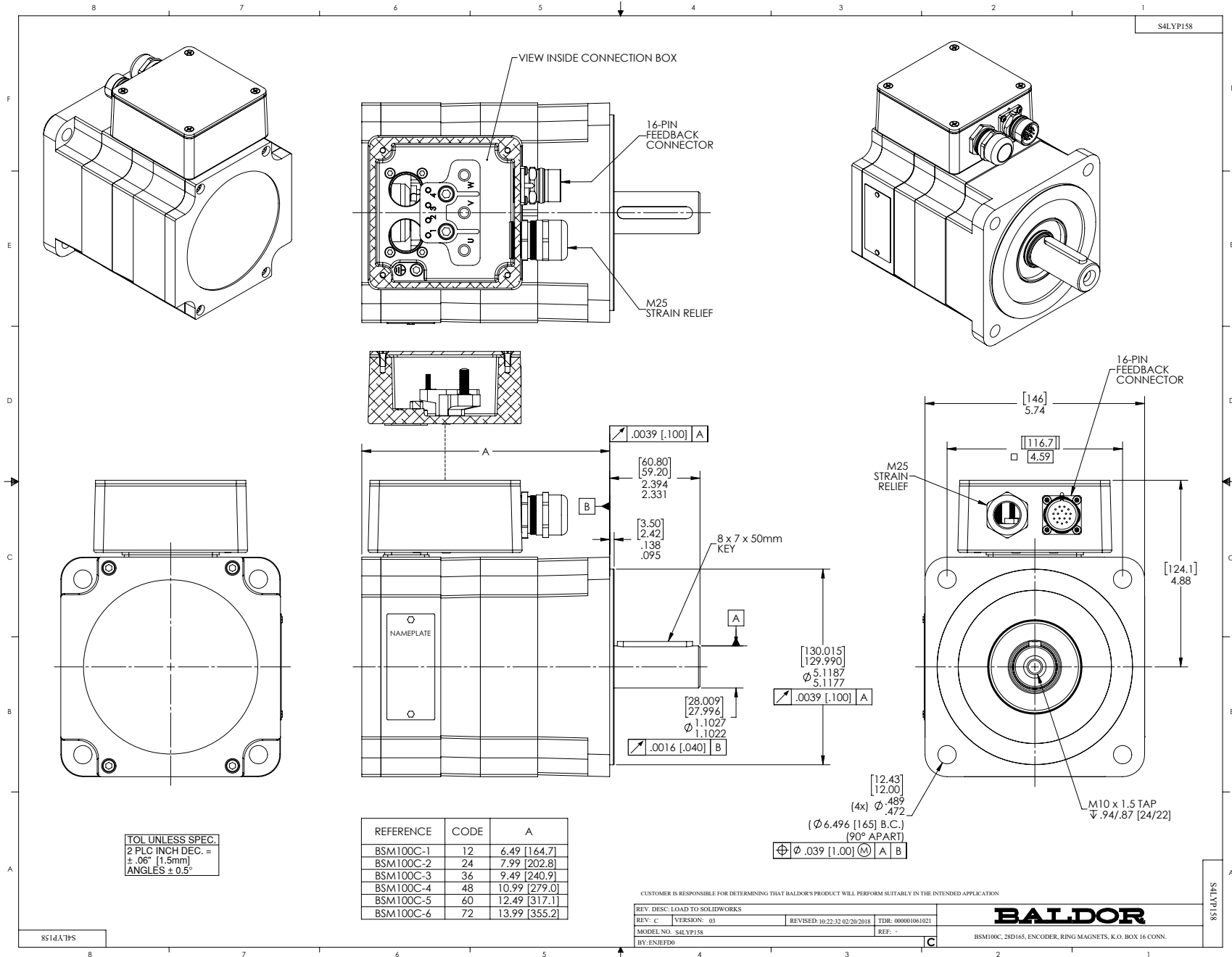
Enclosure	TENV
Nameplate Speed	2400
Agency Approvals	CE CSA TUV UR
Base Indicator	Bracket Mounted
Dimensional Drawing Numbers	S4LYP158
Frame	D165D
Motor Lead Quantity/Wire Size	3 @ 14 AWG
Motor Standards	IEC
Mounting Arrangement	F1
Nameplate Output	4.9KW
Shaft Rotation	Reversible

Part Detail

Revision	AD
Type	AC
Mech. spec.	S4P158
Base	
Status	PRD/A
Elec. spec.	S4WGW114
Layout	S4LYP158
Eff. date	06-15-2026
CD Diagram	CD0006A02
Poles	08
Leads	3#14
Proprietary	False
Created date	01-11-2007

Nameplate

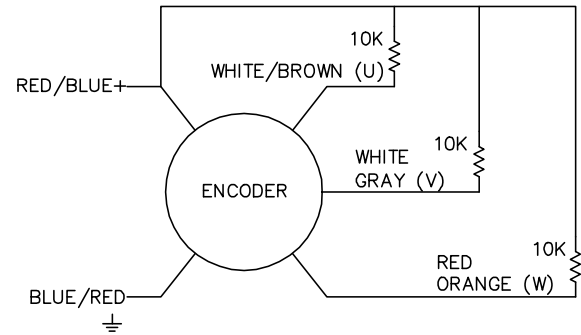
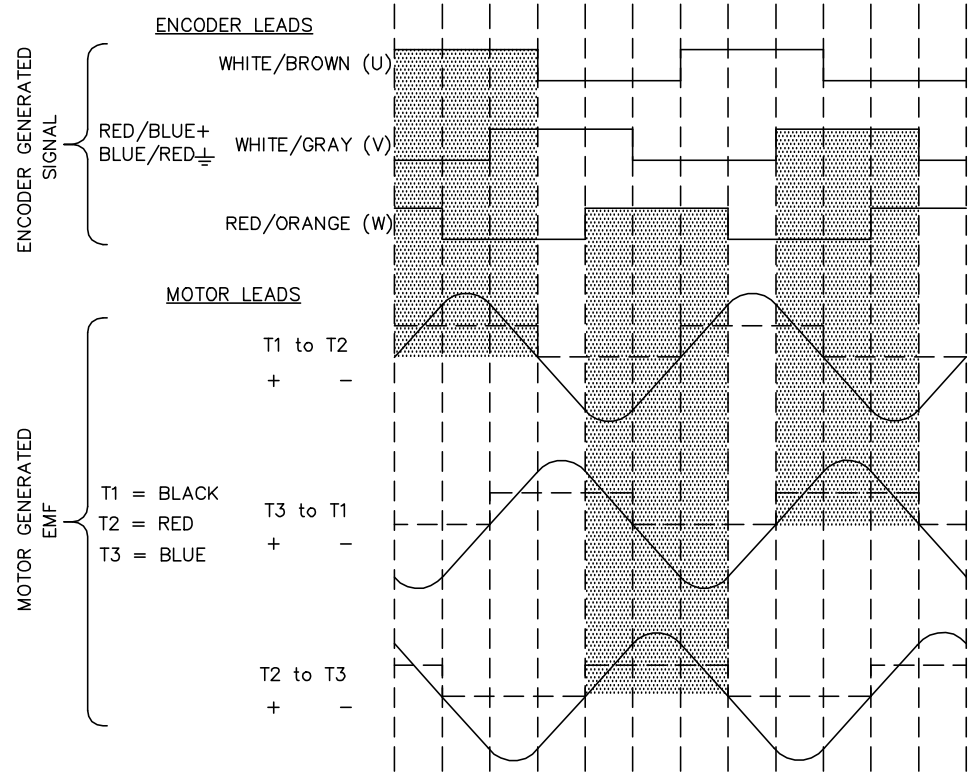
NP2863L					
CAT.NO.	BSM100C-5250AF				
SPEC.	S4P158W114G1				
MFG.NO.					
TORQ CONT STALL	25 NM				
CUR CONT STALL/A RMS	13				
POWER	3.14KW				
RATED SPEED/RPM(1/MIN)	1200				
RATED BUS VOLTS	320				
PEAK CUR/A RMS	39				
MAX SPEED/RPM(1/MIN)	6000				
IP	54	IC	410	WT.	32.6
CLASS	F	25C RATED			



CD1338A01

BRUSHLESS D.C. COMMUTATION

8 POLE MECHANICAL DEGREES	0	15	30	45	60	75	90	105	120	135	150	165	180
4 POLE MECHANICAL DEGREES	0	30	60	90	120	150	180	210	240	270	300	330	360
ELECTRICAL DEGREES	0	60	120	180	240	300	360	420	480	540	600	660	720



NOTE:
CCW ROTATION VIEWING
MOTOR SHAFT END

CD1338A01

REV. DESC: NEW			
REV. LTR: -	BY: FN	REVISED: 11:22:25 03/24/2004	TDR: 328266
CD1338A01		FILE: AAA00115153	REF: CD1338A01
		MTL: -	

BALDOR ELECTRIC Co.

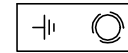
BLDC COMMUTATION KOYO ENC.(CHANNELS TO MATCH TMGW/SUMTAK)

MOTOR CONNECTIONS

TERMINAL LABEL	FUNCTION	INTERNAL WIRE MARKING
1	THERMAL SWITCH	YELLOW
2	THERMAL SWITCH	YELLOW
3	*BRAKE	BLACK
4	*BRAKE	BLACK
⏏	GROUND	-----
U	PHASE U	BLACK OR T1
V	PHASE V	RED OR T2
W	PHASE W	BLUE OR T3

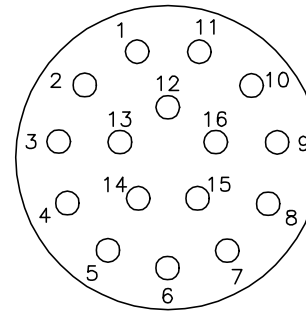
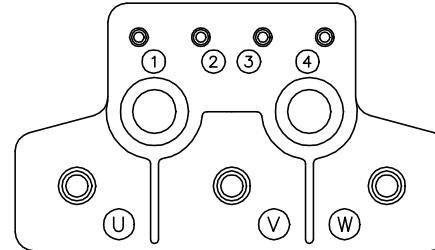
* WHEN REQUIRED

PIN	FUNCTION	WIRE COLOR
1	DC+5V	RED/BLUE
2	GROUND	BLUE/RED
3	CHANNEL A	BLUE
4	CHANNEL \bar{A}	ORANGE
5	CHANNEL B	GREEN
6	CHANNEL \bar{B}	BROWN
7	CHANNEL Z	BLACK
8	CHANNEL \bar{Z}	YELLOW
9	OPEN	----
10	CHANNEL U	WHITE/BROWN
11	CHANNEL \bar{U}	BROWN/WHITE
12	CHANNEL V	WHITE/GRAY
13	CHANNEL \bar{V}	GRAY/WHITE
14	CHANNEL W	RED/ORANGE
15	CHANNEL \bar{W}	ORANGE/RED
16	OPEN	----



GROUND
BOSS

CD1388A02



16 PIN CONNECTOR
THREADED CRIMP PIN STYLE

16- #20 CONTACT SIZE
(CRIMP SIDE)

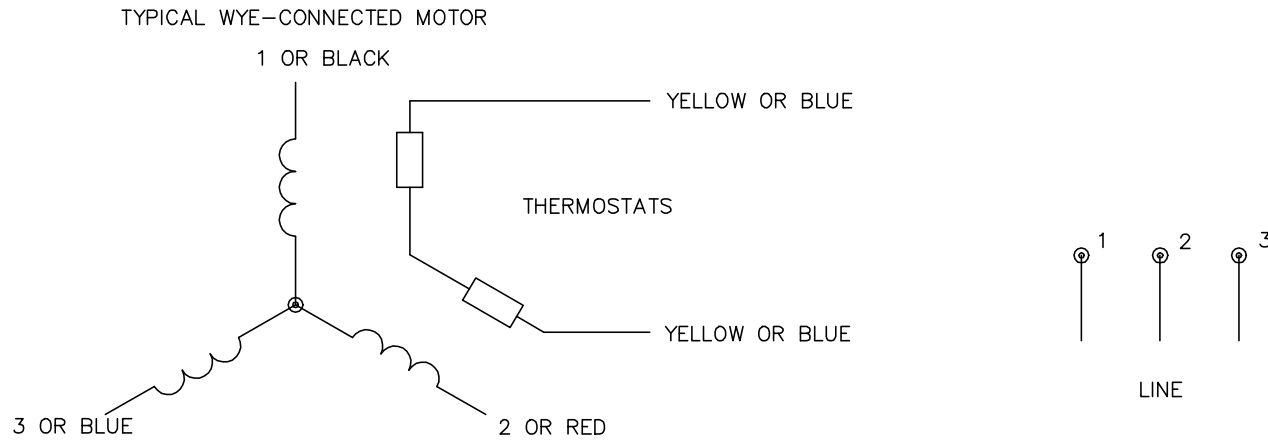
CD1388A02

REV. DESC: NEW			
REV. LTR: -	BY: FN	REVISED: 10:20:15 03/25/2004	TDR: 328341
CD1388A02		FILE: AAA00115200	REF: CD1388A02
		MTL: -	

BALDOR ELECTRIC Co.

CONN DIAG KOYO ENCODER C/T, K.O. BOX & 16 PIN CONNECTOR

CD0006A02



NOTES:

1. INTERCHANGE ANY TWO LINE LEADS TO REVERSE ROTATION.
2. ACTUAL NUMBER OF INTERNAL PARALLEL CIRCUITS MAY VARY.

REV. DESC: REMOVED "OPTIONAL" FROM PRINT, SERVO REQ'S T'STATS		
REV. LTR: D	VERSION: 03	TDR: 000000414937
CD0006A02	FILE: \AAA\00068\606	REVISED: 10:02:28 11/21/2006
	MTL: -	BY: ENJEFO

BALDOR ELECTRIC Co.

3PH, SV, 3 LEADS, WYE CONNECTED

CD0006A02