

# **ABB BALDOR RELIANCE III**

---

## **Customer information packet** BSM100C-5250AA

BSM100C-5250AA T'STAT RESOLVER

**Specifications**

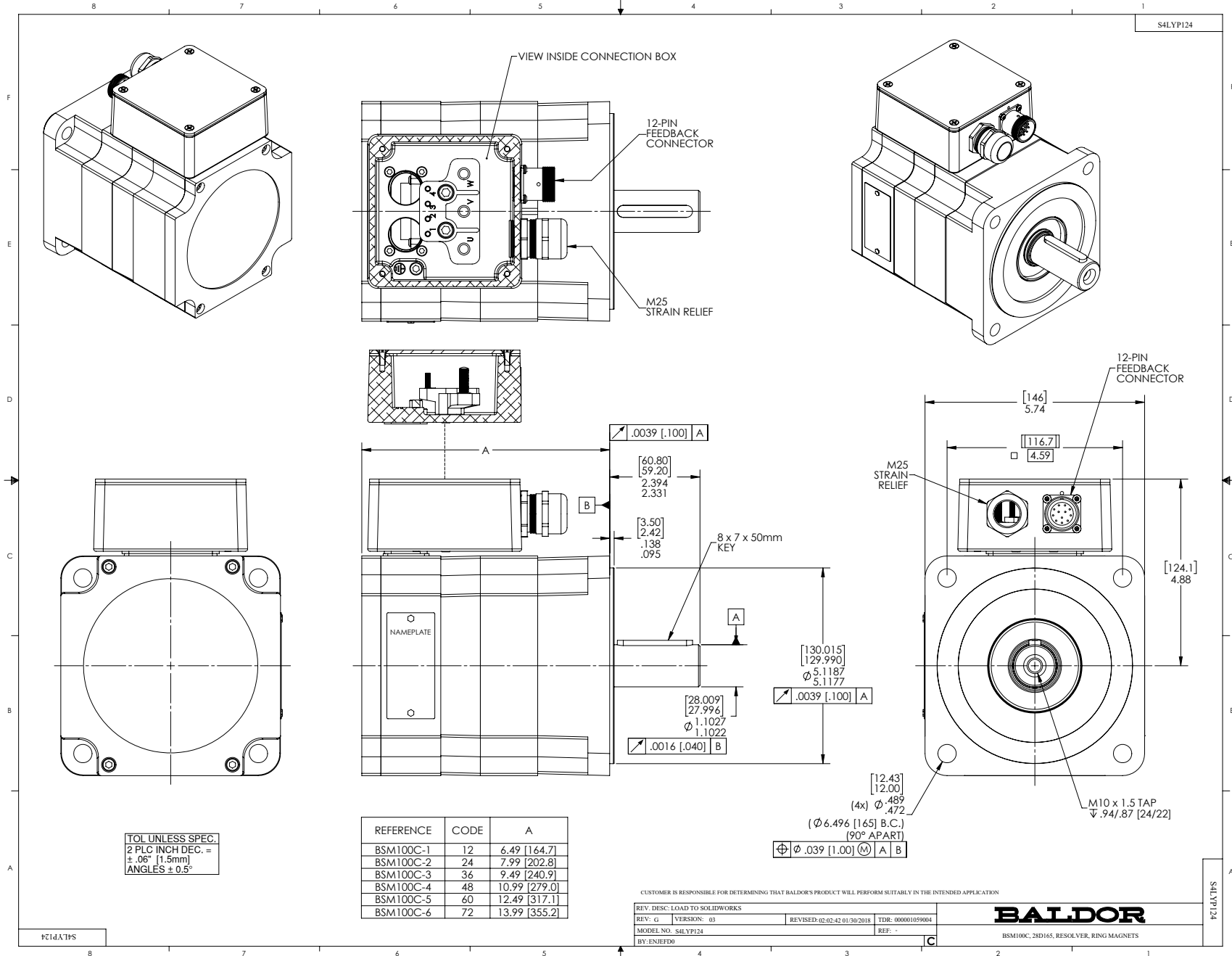
|                                      |                        |
|--------------------------------------|------------------------|
| <b>Enclosure</b>                     | TENV                   |
| <b>Nameplate Speed</b>               | 2400                   |
| <b>Agency Approvals</b>              | CE<br>CSA<br>TUV<br>UR |
| <b>Base Indicator</b>                | Bracket Mounted        |
| <b>Dimensional Drawing Numbers</b>   | S4LYP124               |
| <b>Frame</b>                         | D165D                  |
| <b>Frame Material</b>                | Exposed Laminations    |
| <b>Motor Lead Quantity/Wire Size</b> | 3 @ 14 AWG             |
| <b>Motor Standards</b>               | IEC                    |
| <b>Mounting Arrangement</b>          | F1                     |
| <b>Nameplate Output</b>              | 4.9KW                  |
| <b>Shaft Rotation</b>                | Reversible             |

**Part Detail**

|                     |            |
|---------------------|------------|
| <b>Revision</b>     | AD         |
| <b>Type</b>         | AC         |
| <b>Mech. spec.</b>  | S4P124     |
| <b>Base</b>         |            |
| <b>Status</b>       | PRD/A      |
| <b>Elec. spec.</b>  | S4WGW114   |
| <b>Layout</b>       | S4LYP124   |
| <b>Eff. date</b>    | 08-18-2025 |
| <b>CD Diagram</b>   | CD0006A02  |
| <b>Poles</b>        | 08         |
| <b>Leads</b>        | 3#14       |
| <b>Proprietary</b>  | False      |
| <b>Created date</b> | 12-01-2005 |

**Nameplate**

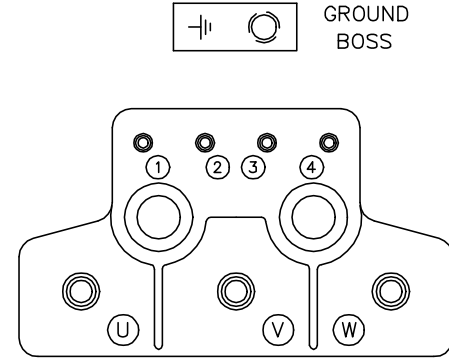
| <b>NP2863L</b>                |              |                  |     |            |      |
|-------------------------------|--------------|------------------|-----|------------|------|
| <b>CAT.NO.</b>                |              |                  |     |            |      |
| <b>SPEC.</b>                  | S4P124W114G1 |                  |     |            |      |
| <b>MFG.NO.</b>                |              |                  |     |            |      |
| <b>TORQ CONT STALL</b>        | 25 NM        |                  |     |            |      |
| <b>CUR CONT STALL/A RMS</b>   | 13           |                  |     |            |      |
| <b>POWER</b>                  | 3.14KW       |                  |     |            |      |
| <b>RATED SPEED/RPM(1/MIN)</b> | 1200         |                  |     |            |      |
| <b>RATED BUS VOLTS</b>        | 320          |                  |     |            |      |
| <b>PEAK CUR/A RMS</b>         | 39           |                  |     |            |      |
| <b>MAX SPEED/RPM(1/MIN)</b>   | 6000         |                  |     |            |      |
| <b>IP</b>                     | 54           | <b>IC</b>        | 410 | <b>WT.</b> | 32.6 |
| <b>CLASS</b>                  | F            | <b>25C RATED</b> |     |            |      |



CD1404

MOTOR CONNECTIONS

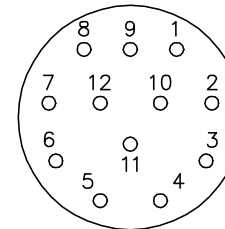
| TERMINAL LABEL | FUNCTION         | INTERNAL WIRE MARKING |
|----------------|------------------|-----------------------|
| 1              | THERMAL SWITCH   | YELLOW                |
| 2              | THERMAL SWITCH   | YELLOW                |
| 3              | BRAKE (OPTIONAL) | BLACK                 |
| 4              | BRAKE (OPTIONAL) | BLACK                 |
| ⊥              | GROUND           | -----                 |
| U              | PHASE U          | T1                    |
| V              | PHASE V          | T2                    |
| W              | PHASE W          | T3                    |



RESOLVER CONNECTIONS

| PIN | FUNCTION  | INTERNAL WIRE COLOR           |
|-----|-----------|-------------------------------|
| 1   | REF HI R1 | RED/WHITE                     |
| 2   | REF LO R2 | YELLOW/WHITE (or) BLACK/WHITE |
| 3   | COS+ S1   | RED                           |
| 4   | COS- S3   | BLACK                         |
| 5   | SINE+ S2  | BLUE                          |
| 6   | SINE- S4  | YELLOW                        |

12 PIN THREADED CONNECTOR  
(INSERTION SIDE)



NOTE:

IF NO FEEDBACK, OMIT RESOLVER CONNECTIONS.

|  |                              |                   |
|--|------------------------------|-------------------|
| REV. DESC: ADDED OPTIONAL BLACK/WHITE COLOR TO REF-LO-R2 |                              |                   |
| REV. LTR: B  | VERSION: 01                  | TDR: 000001151947 |
| FILE: \AAA\00065\150                                     | REVISED: 01:18:21 10/27/2020 | BY: ENJFDO        |
| MTL: -   |                              | © □               |

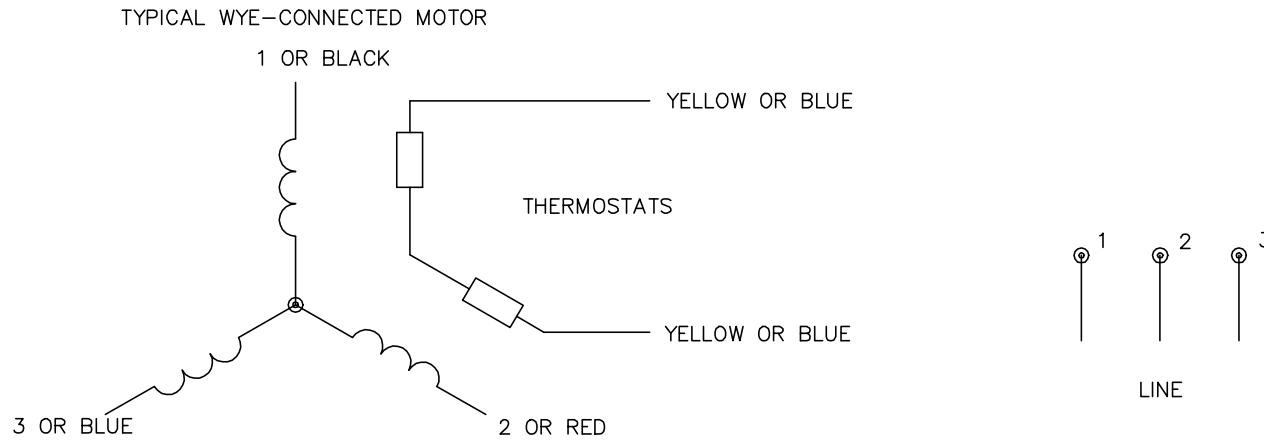
**BALDOR - RELIANCE®**

CONN. DIAG.-BSM,RESOLVER,BRAKE,TERMINAL BLOCK,12 PIN CONN

SH 1 of 1

CD1404

CD0006A02



NOTES:

1. INTERCHANGE ANY TWO LINE LEADS TO REVERSE ROTATION.
2. ACTUAL NUMBER OF INTERNAL PARALLEL CIRCUITS MAY VARY.

|   |                      |                              |
|---|----------------------|------------------------------|
| REV. DESC: REMOVED "OPTIONAL" FROM PRINT, SERVO REQ'S T'STATS |                      |                              |
| REV. LTR: D   | VERSION: 03          | TDR: 000000414937            |
| CD0006A02   | FILE: \AAA\00068\606 | REVISED: 10:02:28 11/21/2006 |
|   | MTL: -               | BY: ENJFDO                   |

**BALDOR ELECTRIC Co.**

3PH, SV, 3 LEADS, WYE CONNECTED

CD0006A02