

ABB BALDOR RELIANCE III

Customer information packet

BSM100C-1150AA

BSM100C-1150AA T'STAT, RESOLVER

Copyright © All product information within this document is subject to ABB Motors and Mechanical Inc. copyright © protection, unless otherwise noted.

7/7/2026 11:47:50 PM

Specifications

| | |
|--------------------------------------|------------------------|
| Enclosure | TENV |
| Nameplate Speed | 2400 |
| Agency Approvals | CE CSA TUV UR |
| Base Indicator | Bracket Mounted |
| Dimensional Drawing Numbers | S4LYP124 |
| Frame | D165D |
| Frame Material | Exposed Laminations |
| Motor Lead Quantity/Wire Size | 3 @ 14 AWG |
| Motor Standards | IEC |
| Mounting Arrangement | F1 |
| Nameplate Output | 1.04KW |
| Shaft Rotation | Reversible |

Part Detail

| | |
|---------------------|------------|
| Revision | AC |
| Type | AC |
| Mech. spec. | S4P124 |
| Base | |
| Status | PRD/A |
| Elec. spec. | S4WGW101 |
| Layout | S4LYP124 |
| Eff. date | 08-18-2025 |
| CD Diagram | CD0006A02 |
| Poles | 08 |
| Leads | 3#14 |
| Proprietary | False |
| Created date | 01-01-0001 |

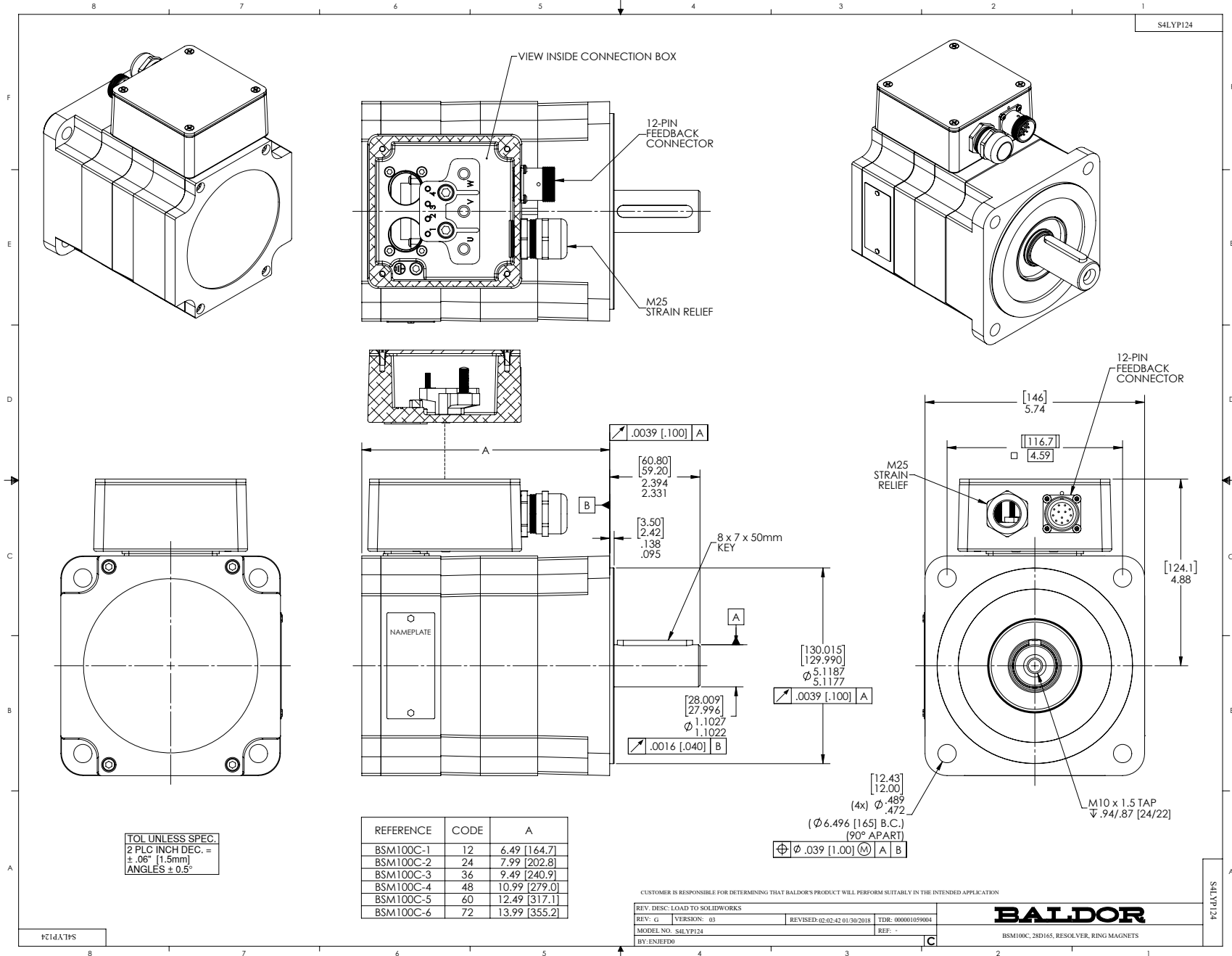
Nameplate

| NP2863L | | | | | |
|-------------------------------|------------|------------------|-----|------------|------|
| CAT.NO. | | | | | |
| SPEC. | S4P124W101 | | | | |
| MFG.NO. | | | | | |
| TORQ CONT STALL | 5 NM | | | | |
| CUR CONT STALL/A RMS | 4.03 | | | | |
| POWER | 1.04KW | | | | |
| RATED SPEED/RPM(1/MIN) | 2000 | | | | |
| RATED BUS VOLTS | 320 | | | | |
| PEAK CUR/A RMS | 12.1 | | | | |
| MAX SPEED/RPM(1/MIN) | 6000 | | | | |
| IP | 54 | IC | 410 | WT. | 13.1 |
| CLASS | F | 25C RATED | | | |

Accessories

| Part number | Description | Multiplier |
|--------------------|-------------------------------|-------------------|
| GBSM100-MRP120-3 | Std. Servo Gearbox Ratio 3:1 | E4 |
| GBSM100-MRP120-5 | Std. Servo Gearbox Ratio 5:1 | E4 |
| GBSM100-MRP155-10 | Std. Servo Gearbox Ratio 10:1 | E4 |

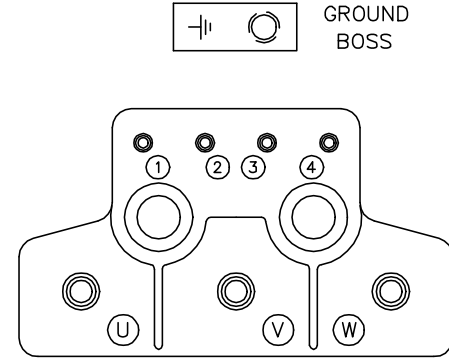
S4LYP124



CD1404

MOTOR CONNECTIONS

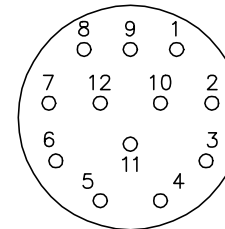
| TERMINAL LABEL | FUNCTION | INTERNAL WIRE MARKING |
|----------------|------------------|-----------------------|
| 1 | THERMAL SWITCH | YELLOW |
| 2 | THERMAL SWITCH | YELLOW |
| 3 | BRAKE (OPTIONAL) | BLACK |
| 4 | BRAKE (OPTIONAL) | BLACK |
| ⊥ | GROUND | ----- |
| U | PHASE U | T1 |
| V | PHASE V | T2 |
| W | PHASE W | T3 |



RESOLVER CONNECTIONS

| PIN | FUNCTION | INTERNAL WIRE COLOR |
|-----|-----------|-------------------------------|
| 1 | REF HI R1 | RED/WHITE |
| 2 | REF LO R2 | YELLOW/WHITE (or) BLACK/WHITE |
| 3 | COS+ S1 | RED |
| 4 | COS- S3 | BLACK |
| 5 | SINE+ S2 | BLUE |
| 6 | SINE- S4 | YELLOW |

12 PIN THREADED CONNECTOR
(INSERTION SIDE)



NOTE:

IF NO FEEDBACK, OMIT RESOLVER CONNECTIONS.

| | | |
|--|------------------------------|-------------------|
| REV. DESC: ADDED OPTIONAL BLACK/WHITE COLOR TO REF-LO-R2 | | |
| REV. LTR: B | VERSION: 01 | TDR: 000001151947 |
| FILE: \AAA\00065\150 | REVISED: 01:18:21 10/27/2020 | BY: ENJFDO |
| MTL: - | | © □ |

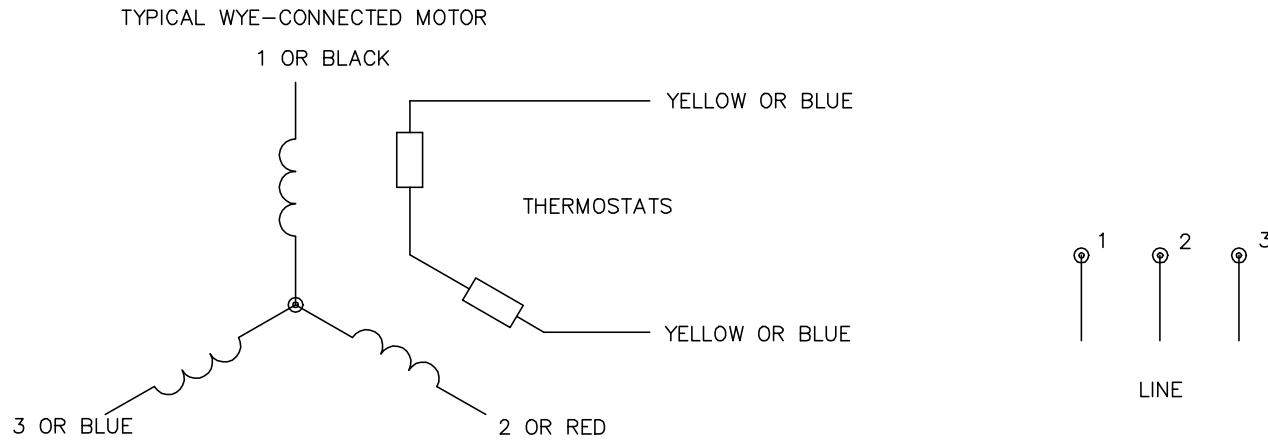
BALDOR - RELIANCE®

CONN. DIAG.-BSM,RESOLVER,BRAKE,TERMINAL BLOCK,12 PIN CONN

SH 1 of 1

CD1404

CD0006A02



NOTES:

1. INTERCHANGE ANY TWO LINE LEADS TO REVERSE ROTATION.
2. ACTUAL NUMBER OF INTERNAL PARALLEL CIRCUITS MAY VARY.

| | | |
|---|----------------------|------------------------------|
| REV. DESC: REMOVED "OPTIONAL" FROM PRINT, SERVO REQ'S T'STATS | | |
| REV. LTR: D | VERSION: 03 | TDR: 000000414937 |
| CD0006A02 | FILE: \AAA\00068\606 | REVISED: 10:02:28 11/21/2006 |
| | MTL: - | BY: ENJFDO |

BALDOR ELECTRIC Co.

3PH, SV, 3 LEADS, WYE CONNECTED

CD0006A02