



---

# Customer information packet

## BM3112

.75HP, 1725RPM, 3PH, 60HZ, 56, 3420M, OPEN, F1

Class - None

Division - Not Applicable

## Specifications

Enclosure	OPEN
Frame	56
Frame Material	Steel
Frequency	60.00 Hz
Haz Area Class and Group	None
Haz Area Division	Not Applicable
Motor Letter Type	Three Phase
Output @ Frequency	.750 HP @ 60 HZ
Phase	3
Synchronous Speed @ Frequency	1800 RPM @ 60 HZ
Voltage @ Frequency	230.0 V @ 60 HZ 208.0 V @ 60 HZ 460.0 V @ 60 HZ
Agency Approvals	CSA UR
Ambient Temperature	40 °C
Auxillary Box	No Auxillary Box
Auxillary Box Lead Termination	None
Base Indicator	Rigid
Bearing Grease Type	Polyrex EM (-20F +300F)
Blower	None
Brake Torque	6.0 lb-ft
Current @ Voltage	3.600 A @ 208.0 V 3.200 A @ 208.0 V 3.000 A @ 230.0 V 1.500 A @ 460.0 V
Design Code	B
Drip Cover	No Drip Cover
Duty Rating	CONT
Efficiency @ 100% Load	75.5 %
Electrically Isolated Bearing	Not Electrically Isolated
Feedback Device	NO FEEDBACK

## Part detail

Revision	W
Type	AC
Mech. spec.	34F039
Base	
Status	PRD/A
Elec. spec.	34WG0883
Layout	34LYF039
Eff. date	02-08-2024
CD Diagram	CD0005
Poles	04
Leads	9#18
Proprietary	False
Created date	01-01-0001

Front Face Code	Brake Mounting
Front Shaft Indicator	None
Heater Indicator	No Heater
High Voltage Full Load Amps	1.5 a
Insulation Class	B
Inverter Code	Not Inverter
KVA Code	K
Lifting Lugs	No Lifting Lugs
Locked Bearing Indicator	No Locked Bearing
Motor Lead Exit	Ko Box
Motor Lead Quantity/Wire Size	9 @ 18 AWG
Motor Lead Termination	Flying Leads
Motor Standards	NEMA
Motor Type	3420M
Mounting Arrangement	F1
Number of Poles	4
Overall Length	14.77 IN
Power Factor	60
Product Family	General Purpose
Pulley End Bearing Type	Ball
Pulley Face Code	Standard
Pulley Shaft Indicator	Standard
Rodent Screen	None
Service Factor	1.25
Shaft Diameter	0.625 IN
Shaft Extension Location	Pulley End
Shaft Ground Indicator	No Shaft Grounding
Shaft Rotation	Reversible
Shaft Slinger Indicator	No Slinger
Speed	1725 rpm
Speed Code	Single Speed
Starting Method	Direct on line
Thermal Device - Bearing	None
Thermal Device - Winding	None

**Vibration Sensor Indicator**

**No Vibration Sensor**

---

**Nameplate**

<b>NP1256L</b>									
<b>CAT.NO.</b>	BM3112								
<b>SPEC.</b>	34F039-0883-C								
<b>HP</b>	.75								
<b>VOLTS</b>	208-230/460								
<b>AMP</b>	3.2-3/1.5								
<b>RPM</b>	1725								
<b>FRAME</b>	56	<b>HZ</b>	60	<b>PH</b>	3				
<b>SER.F.</b>	1.25	<b>CODE</b>	K	<b>DES</b>	B	<b>CLASS</b>	B		
<b>NEMA-NOM-EFF</b>	75.5	<b>PF</b>	60						
<b>RATING</b>	40C AMB-CONT								
<b>CC</b>									
<b>DE</b>	6203	<b>ODE</b>	6203						
<b>ENCL</b>	OPEN	<b>SN</b>							
	SFA 3.6-3.4/1.7								

**AC Induction Motor Performance Data**

Record # 50817

Typical performance - not guaranteed values

<b>Winding: 34WG0883-R001</b>		<b>Type: 3420M</b>		<b>Enclosure: OPEN</b>	
<b>Nameplate Data</b>			<b>460 V, 60 Hz: High Voltage Connection</b>		
<b>Rated Output (HP)</b>	.75	<b>Full Load Torque</b>	2.25 LB-FT		
<b>Volts</b>	208-230/460	<b>Start Configuration</b>	direct on line		
<b>Full Load Amps</b>	3.2-3/1.5	<b>Breakdown Torque</b>	10 LB-FT		
<b>R.P.M.</b>	1725	<b>Pull-up Torque</b>	8.5 LB-FT		
<b>Hz</b>	60 <b>Phase</b>	3	<b>Locked-rotor Torque</b>	8.8 LB-FT	
<b>NEMA Design Code</b>	<b>B KVA Code</b>	K	<b>Starting Current</b>	10 A	
<b>Service Factor (S.F.)</b>		1.25	<b>No-load Current</b>	1.2 A	
<b>NEMA Nom. Eff.</b>	75.5 <b>Power Factor</b>	60	<b>Line-line Res. @ 25°C</b>	17.68 Ω	
<b>Rating - Duty</b>		40C AMB-CONT	<b>Temp. Rise @ Rated Load</b>		
<b>S.F. Amps</b>		3.6-3.4/1.7	<b>Temp. Rise @ S.F. Load</b>		

**Load Characteristics 460 V, 60 Hz, 0.75 HP**

<b>% of Rated Load</b>	<b>25</b>	<b>50</b>	<b>75</b>	<b>100</b>	<b>125</b>	<b>150</b>	<b>S.F.</b>
<b>Power Factor</b>	28	42	55	64	71	76	71
<b>Efficiency</b>	56.1	69.7	74.7	76.2	76.1	75.2	76.1
<b>Speed</b>	1783	1766	1749	1731	1711	1693	1711
<b>Line amperes</b>	1.2	1.2	1.3	1.5	1.6	1.8	1.6

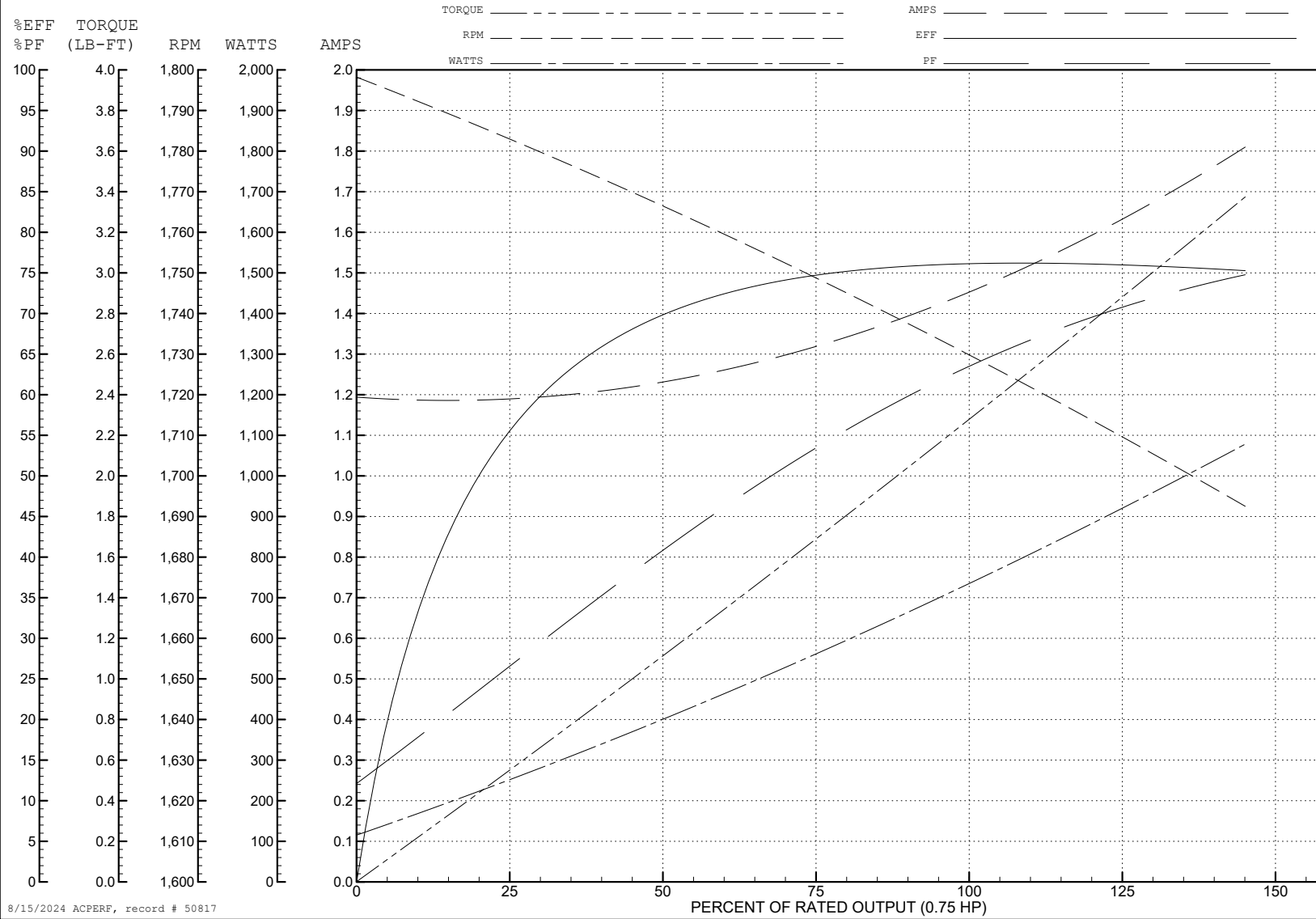
ABB Motors and Mechanical Inc.

WINDING # 34WG0883

Typical performance - not guaranteed values.

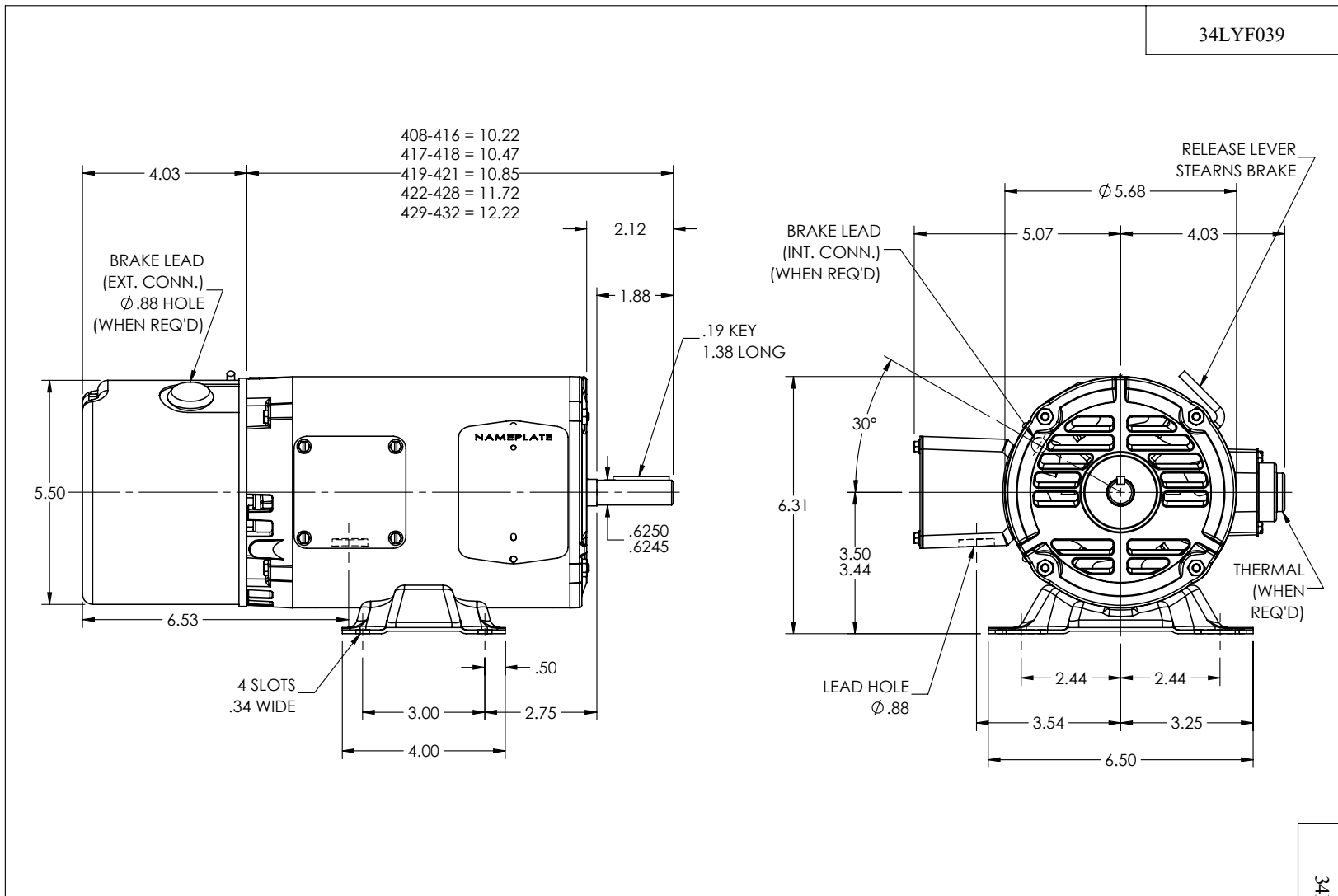
0.75 HP 3 PH 60 HZ 1725 RPM 460 V 3420M

TORQUES (LB-FT): PO=10 PU=8.5 LR=8.8 LRA=10



8/15/2024 ACPERF, record # 50817

34LYF039



CUSTOMER IS RESPONSIBLE FOR DETERMINING THAT THE PRODUCT WILL PERFORM SUITABLY IN THE INTENDED APPLICATION

REV. DESC: LOAD TO SOLIDWORKS - REV C			
REV: D	VERSION: 02	REVISED: 04:44:40 05/18/2023	TDR: 000001201165
34LYF039	MODEL NO. 34LYF039		REF: -
	BY: ENFRAJ0		

**BALDOR - RELIANCE®**

STD HORZ MODEL 34M NEMA 56 OPEN W/BRAKE

34LYF039



CD0005



LOW VOLTAGE  
(2Y)



LINE

HIGH VOLTAGE  
(1Y)



LINE

NOTES:

1. INTERCHANGE ANY TWO LINE LEADS TO REVERSE ROTATION.
2. OPTIONAL THERMOSTATS ARE PROVIDED WHEN SPECIFIED.
3. ACTUAL NUMBER OF INTERNAL PARALLEL CIRCUITS MAY BE A MULTIPLE OF THOSE SHOWN ABOVE.
4. LEAD COLORS ARE OPTIONAL. LEADS MUST ALWAYS BE NUMBERED AS SHOWN.

CD0005

REV. DESC: REVISE TO SHOW OPTIONAL COLORS			
REV. LTR: E	BY: JLP	REVISED: 01/19/99 10:15	TDR: 0171435
S00000		FILE: AAA00005140	MDL: -
		MTL: -	

**BALDOR ELECTRIC Co.**

3PH, DV, 9 LEADS