

ABB BALDOR RELIANCE III

Customer information packet

BL3518

.5HP, 1725RPM, 1PH, 60HZ, 56, BRAKE, 3421L

Class - None

Division - Not Applicable

Specifications

Enclosure	TEFC
Frame	56
Frame Material	Steel
Frequency	60.00 Hz
Haz Area Class and Group	None
Haz Area Division	Not Applicable
Motor Letter Type	Cap Start, Induction Run
Output @ Frequency	.500 HP @ 60 HZ
Phase	1
Synchronous Speed @ Frequency	1800 RPM @ 60 HZ
Voltage @ Frequency	115.0 V @ 60 HZ 230.0 V @ 60 HZ
Agency Approvals	CSA UR
Ambient Temperature	40 °C
Auxiliary Box	NO AUXILLARY BOX
Auxiliary Box Lead Termination	None
Base Indicator	Rigid
Bearing Grease Type	Polyrex EM (-20F +300F)
Blower	None
Current @ Voltage	7.400 A @ 115.0 V 4.300 A @ 208.0 V 3.700 A @ 230.0 V
Design Code	N
Drip Cover	No Drip Cover
Duty Rating	CONT
Efficiency @ 100% Load	68.0 %
Electrically Isolated Bearing	Not Electrically Isolated
Feedback Device	NO FEEDBACK
Front Face Code	Brake Mounting
Front Shaft Indicator	None
Heater Indicator	No Heater

Part Detail

Revision	AP
Type	AC
Mech. spec.	34K026
Base	
Status	PRD/A
Elec. spec.	34WG5422
Layout	34LYK026
Eff. date	10-28-2024
CD Diagram	CD0001
Poles	04
Leads	6#18
Proprietary	False
Created date	01-01-0001

High Voltage Full Load Amps	3.7 a
Insulation Class	B
Inverter Code	Not Inverter
KVA Code	J
Lifting Lugs	No Lifting Lugs
Locked Bearing Indicator	No Locked Bearing
Motor Lead Exit	Ko Box
Motor Lead Quantity/Wire Size	6 @ 18 AWG
Motor Lead Termination	Flying Leads
Motor Standards	NEMA
Motor Type	3421L
Mounting Arrangement	F1
Number of Poles	4
Overall Length	16.08 IN
Power Factor	66
Product Family	General Purpose
Pulley End Bearing Type	Ball
Pulley Face Code	Standard
Pulley Shaft Indicator	Standard
Rodent Screen	None
Service Factor	1.25
Shaft Diameter	0.625 IN
Shaft Extension Location	Pulley End
Shaft Ground Indicator	No Shaft Grounding
Shaft Rotation	Reversible
Shaft Slinger Indicator	No Slinger
Speed	1725 rpm
Speed Code	Single Speed
Starting Method	Direct on line
Thermal Device - Bearing	None
Thermal Device - Winding	None
Vibration Sensor Indicator	No Vibration Sensor
Winding Thermal 1	None
Winding Thermal 2	None

Nameplate

NP1256L										
CAT.NO.	BL3518									
SPEC.	34K26-5422-B									
HP	.5									
VOLTS	115/230									
AMP	7.4/3.7									
RPM	1725									
FRAME	56		HZ	60		PH	1			
SER.F.	1.25	CODE	J	DES	N	CLASS	B			
NEMA-NOM-EFF	68	PF	66							
RATING	40C AMB-CONT									
CC										
DE	6203	ODE	6203							
ENCL	TEFC	SN								
	SFA 8.2/4.1									

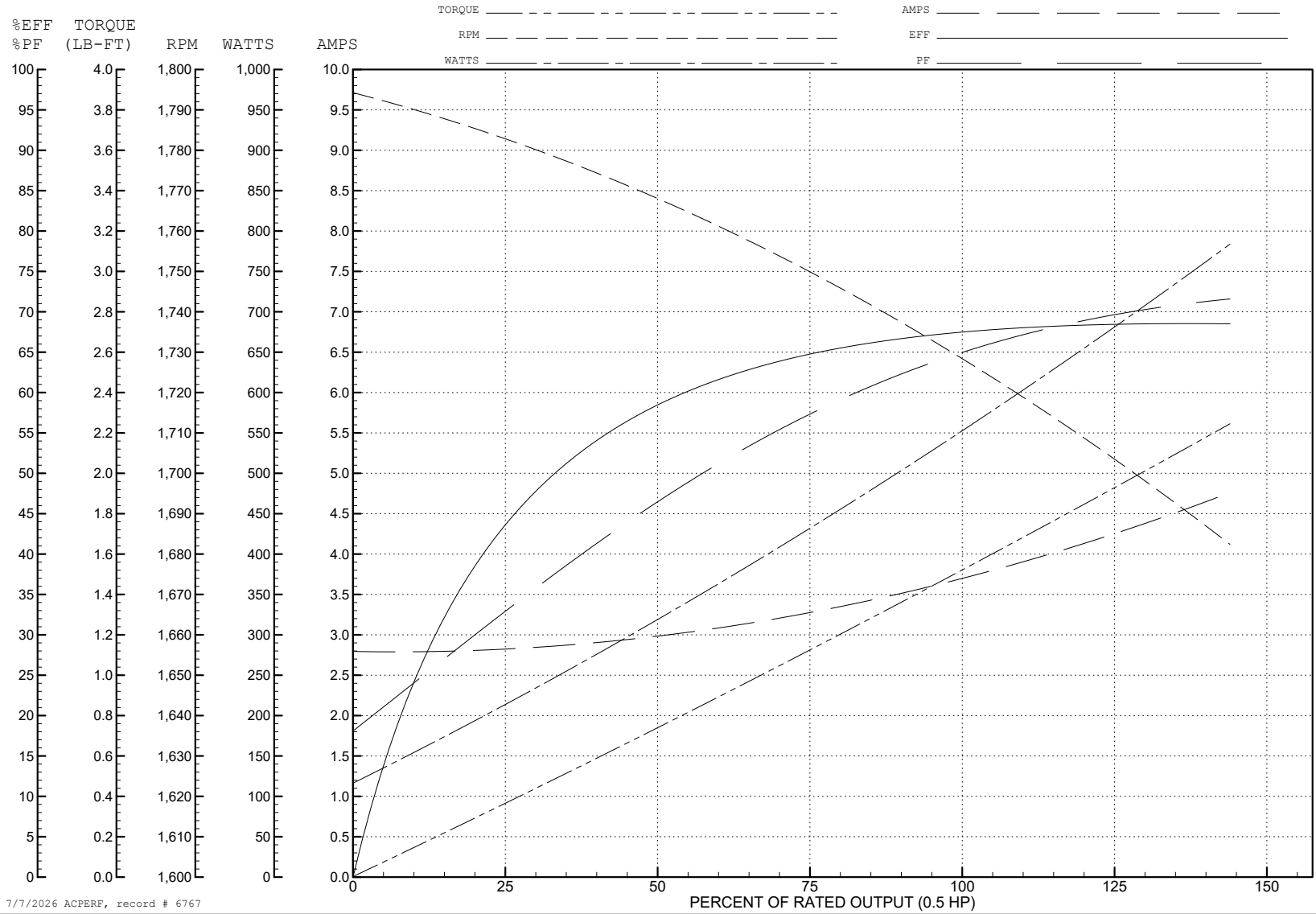
ABB Motors and Mechanical Inc.

WINDING # 34WG5422

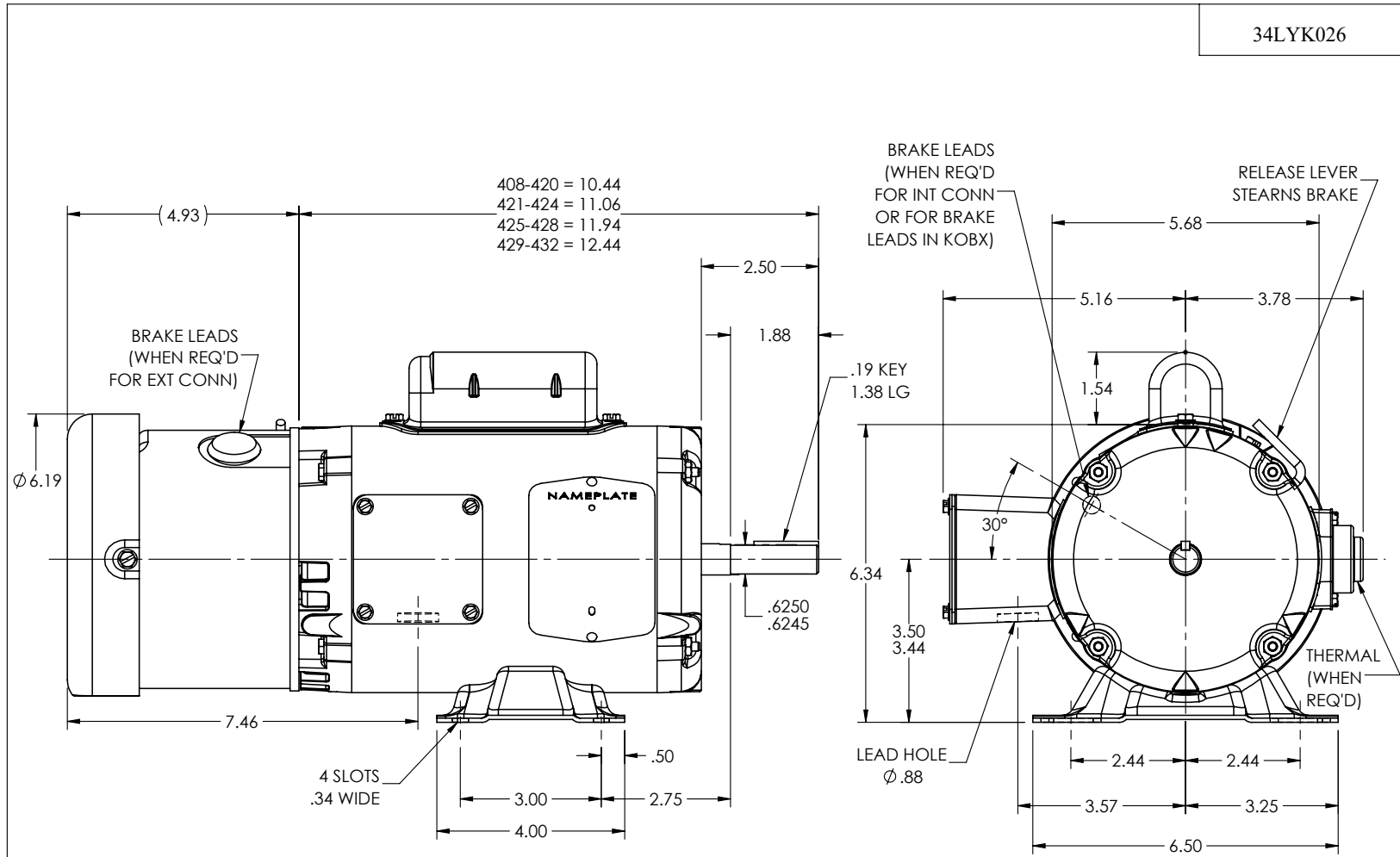
Typical performance - not guaranteed values.

0.5 HP 1 PH 60 HZ 1725 RPM 230 V 3421L

TORQUES (LB-FT): PO=4.13 PU=3.6 LR=4.65 LRA=16.5



7/7/2026 ACPERP, record # 6767



CUSTOMER IS RESPONSIBLE FOR DETERMINING THAT THE PRODUCT WILL PERFORM SUITABLY IN THE INTENDED APPLICATION

REV. DESC: LOAD TO SOLIDWORKS - REV F

REV: G	VERSION: 03	REVISED: 03:28:19 04/21/2023	TDR: 000001201165
--------	-------------	------------------------------	-------------------

34LYK026

MODEL NO. 34LYK026

BY: ENFRAJ0

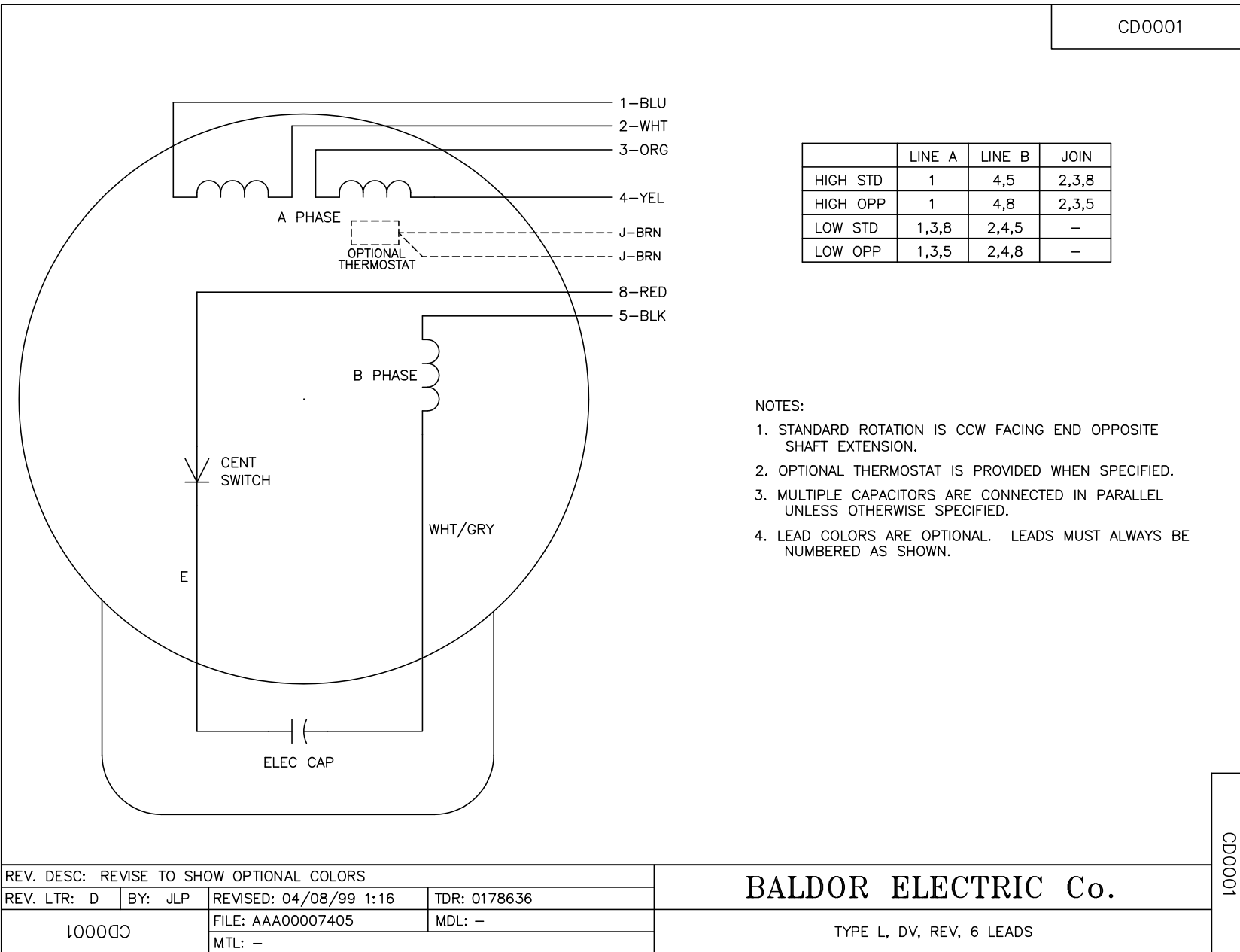
REF: -

BALDOR - RELIANCE®

STD HORZ MODEL 34L NEMA 56 TEFC W/BRAKE

34LYK026

CD0001



	LINE A	LINE B	JOIN
HIGH STD	1	4,5	2,3,8
HIGH OPP	1	4,8	2,3,5
LOW STD	1,3,8	2,4,5	-
LOW OPP	1,3,5	2,4,8	-

- NOTES:
1. STANDARD ROTATION IS CCW FACING END OPPOSITE SHAFT EXTENSION.
 2. OPTIONAL THERMOSTAT IS PROVIDED WHEN SPECIFIED.
 3. MULTIPLE CAPACITORS ARE CONNECTED IN PARALLEL UNLESS OTHERWISE SPECIFIED.
 4. LEAD COLORS ARE OPTIONAL. LEADS MUST ALWAYS BE NUMBERED AS SHOWN.

CD0001

REV. DESC: REVISE TO SHOW OPTIONAL COLORS			
REV. LTR: D	BY: JLP	REVISED: 04/08/99 1:16	TDR: 0178636
100000		FILE: AAA00007405	MDL: -
		MTL: -	

BALDOR ELECTRIC Co.

TYPE L, DV, REV, 6 LEADS