

ABB BALDOR RELIANCE III

Customer information packet

AOM3455

.25HP, 1140RPM, 3PH, 60HZ, 48, 3411M, TEAO, F1

Class - None

Division - Not Applicable

Specifications

Enclosure	TEAO
Frame	48
Frame Material	Steel
Frequency	60.00 Hz
Haz Area Class and Group	None
Haz Area Division	Not Applicable
Motor Letter Type	Three Phase
Output @ Frequency	.250 HP @ 60 HZ
Phase	3
Synchronous Speed @ Frequency	1200 RPM @ 60 HZ
Voltage @ Frequency	230.0 V @ 60 HZ 460.0 V @ 60 HZ
Agency Approvals	CSA UR
Ambient Temperature	40 °C
Auxiliary Box	NO AUXILLARY BOX
Auxiliary Box Lead Termination	None
Base Indicator	Rigid
Bearing Grease Type	Polyrex EM (-20F +300F)
Blower	None
Current @ Voltage	1.500 A @ 208.0 V 1.400 A @ 230.0 V .700 A @ 460.0 V
Design Code	B
Drip Cover	No Drip Cover
Duty Rating	CONT
Efficiency @ 100% Load	68.0 %
Electrically Isolated Bearing	Not Electrically Isolated
Feedback Device	NO FEEDBACK
Front Face Code	Standard
Front Shaft Indicator	None
Heater Indicator	No Heater

Part Detail

Revision	E
Type	AC
Mech. spec.	34K099
Base	
Status	PRD/A
Elec. spec.	34WG5882
Layout	34LYK099
Eff. date	03-12-2026
CD Diagram	CD0005
Poles	06
Leads	9#18 LEADS 36" LG Y
Proprietary	False
Created date	11-20-2007

High Voltage Full Load Amps	0.7 a
Insulation Class	F
Inverter Code	Not Inverter
KVA Code	K
Lifting Lugs	No Lifting Lugs
Locked Bearing Indicator	No Locked Bearing
Motor Lead Exit	Ko Box
Motor Lead Quantity/Wire Size	9 @ 18 AWG
Motor Lead Termination	Flying Leads
Motor Standards	NEMA
Motor Type	3411M
Mounting Arrangement	F1
Number of Poles	6
Overall Length	9.63 IN
Power Factor	51
Product Family	General Purpose
Pulley End Bearing Type	Ball
Pulley Face Code	Standard
Pulley Shaft Indicator	Standard
Rodent Screen	None
Service Factor	1.00
Shaft Diameter	0.500 IN
Shaft Extension Location	Pulley End
Shaft Ground Indicator	No Shaft Grounding
Shaft Rotation	Reversible
Shaft Slinger Indicator	No Slinger
Speed	1140 rpm
Speed Code	Single Speed
Starting Method	Direct on line
Thermal Device - Bearing	None
Thermal Device - Winding	None
Vibration Sensor Indicator	No Vibration Sensor
Winding Thermal 1	None
Winding Thermal 2	None

Nameplate

NP1256L										
CAT.NO.	AOM3455									
SPEC.	34K099-5882G2									
HP	.25									
VOLTS	230/460									
AMP	1.4/.7									
RPM	1140									
FRAME	48		HZ	60		PH	3			
SER.F.	1.00	CODE	K	DES	B	CLASS	F			
NEMA-NOM-EFF	68	PF	51							
RATING	40C AMB-CONT									
CC										
DE	6203	ODE	6203							
ENCL	TEAO	SN								

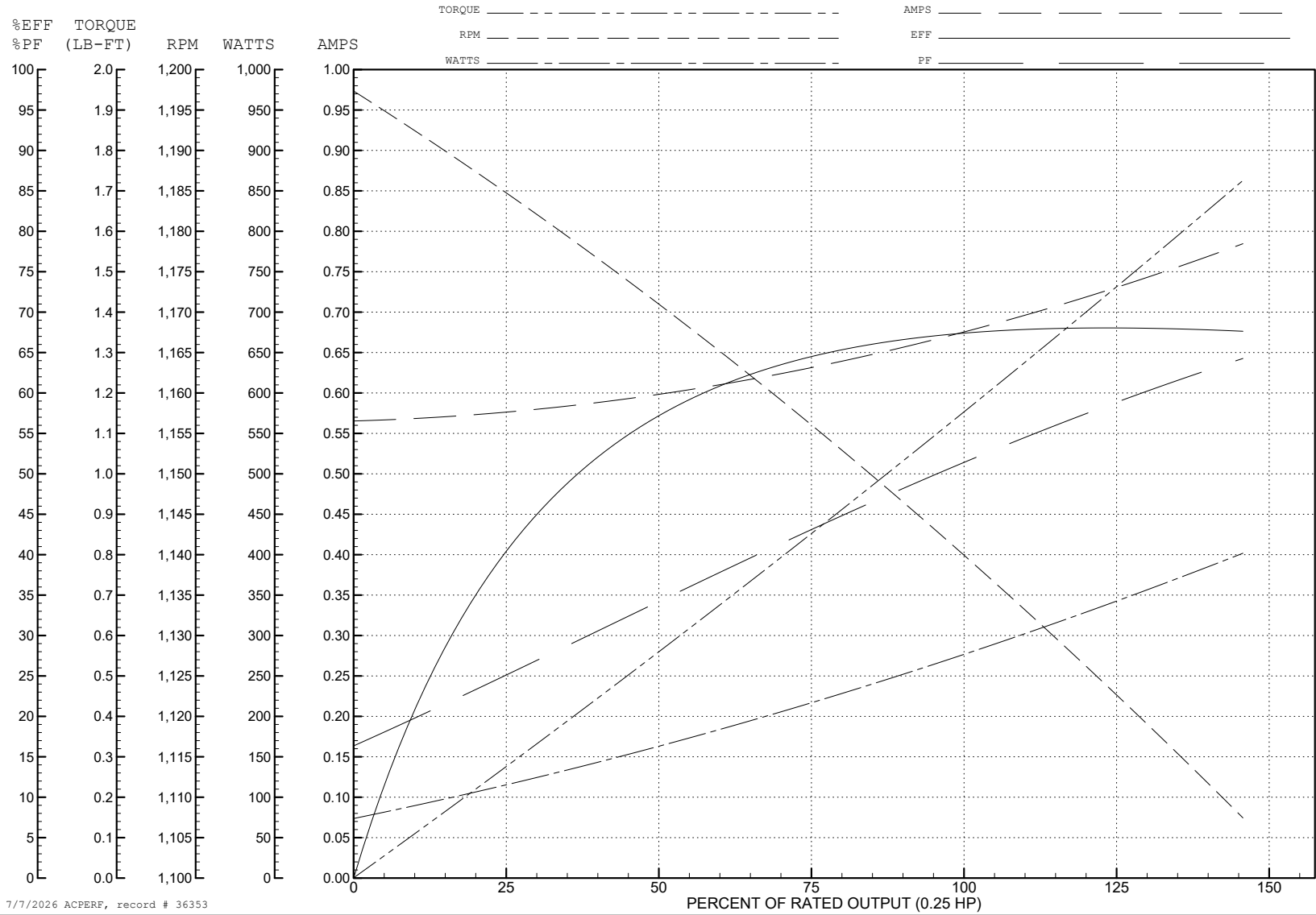
ABB Motors and Mechanical Inc.

WINDING # 34WG5882

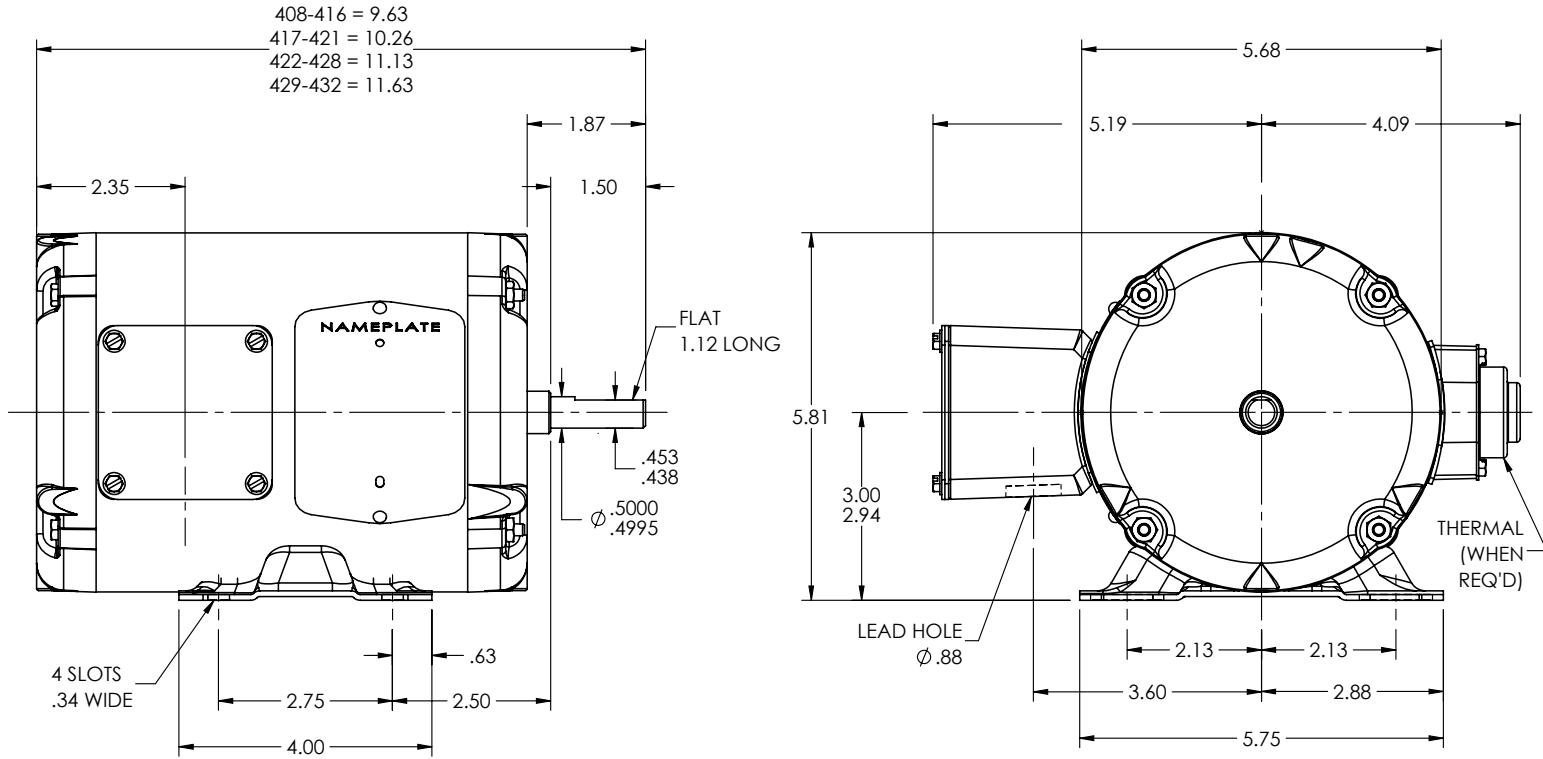
0.25 HP 3 PH 60 HZ 1140 RPM 460 V 3411M

Typical performance - not guaranteed values.

TORQUES (LB-FT): PO=3.8 PU=2.9 LR=3 LRA=2.5



34LYK099



CUSTOMER IS RESPONSIBLE FOR DETERMINING THAT THE PRODUCT WILL PERFORM SUITABLY IN THE INTENDED APPLICATION

REV. DESC: LOAD TO SOLIDWORKS - REV F

REV: G VERSION: 02 REVISED: 11:36:30 01/03/2023 TDR: 000001201165

34LYK099

MODEL NO. 34LYK099

BY: ENFRAJ0

REF: -

BALDOR - RELIANCE®

STD HORZ MODEL 34M NEMA 48 TEAO

34LYK099

CD0005



LOW VOLTAGE
(2Y)



LINE

HIGH VOLTAGE
(1Y)



LINE

NOTES:

1. INTERCHANGE ANY TWO LINE LEADS TO REVERSE ROTATION.
2. OPTIONAL THERMOSTATS ARE PROVIDED WHEN SPECIFIED.
3. ACTUAL NUMBER OF INTERNAL PARALLEL CIRCUITS MAY BE A MULTIPLE OF THOSE SHOWN ABOVE.
4. LEAD COLORS ARE OPTIONAL. LEADS MUST ALWAYS BE NUMBERED AS SHOWN.

CD0005

REV. DESC: REVISE TO SHOW OPTIONAL COLORS

REV. LTR: E BY: JLP REVISED: 01/19/99 10:15 TDR: 0171435

500000

FILE: AAA00005140

MDL: -

MTL: -

BALDOR ELECTRIC Co.

3PH, DV, 9 LEADS