



Customer information packet

ANFL3504M

.5HP, 1725RPM, 1PH, 60HZ, 48YZ, 3421L, TEFC, F1

Class - None

Division - Not Applicable

Specifications

Enclosure	TEFC
Frame	48YZ
Frame Material	Steel
Frequency	60.00 Hz
Haz Area Class and Group	None
Haz Area Division	Not Applicable
Motor Letter Type	Cap Start, Induction Run
Output @ Frequency	.500 HP @ 60 HZ
Phase	1
Synchronous Speed @ Frequency	1800 RPM @ 60 HZ
Voltage @ Frequency	115.0 V @ 60 HZ 230.0 V @ 60 HZ
Agency Approvals	CSA UR
Ambient Temperature	40 °C
Auxillary Box	No Auxillary Box
Auxillary Box Lead Termination	None
Base Indicator	No Mounting
Bearing Grease Type	Polyrex EM (-20F +300F)
Blower	None
Current @ Voltage	7.400 A @ 115.0 V 4.300 A @ 208.0 V 3.700 A @ 230.0 V
Design Code	N
Drip Cover	No Drip Cover
Duty Rating	CONT
Efficiency @ 100% Load	68.0 %
Electrically Isolated Bearing	Not Electrically Isolated
Feedback Device	NO FEEDBACK
Front Face Code	Standard
Front Shaft Indicator	Multiple Flats
Heater Indicator	No Heater

Part detail

Revision	AH
Type	AC
Mech. spec.	34H317
Base	
Status	PRD/A
Elec. spec.	34WGW204
Layout	34LYH317
Eff. date	09-18-2023
CD Diagram	CD0008
Poles	04
Leads	6#18,1#16 #4TH
Proprietary	False
Created date	01-01-0001

High Voltage Full Load Amps	3.7 a
Insulation Class	B
Inverter Code	Not Inverter
KVA Code	J
Lifting Lugs	No Lifting Lugs
Locked Bearing Indicator	No Locked Bearing
Motor Lead Exit	Ko Box
Motor Lead Quantity/Wire Size	6 @ 18 AWG
Motor Lead Termination	Flying Leads
Motor Standards	NEMA
Motor Type	3421L
Mounting Arrangement	F1
Number of Poles	4
Overall Length	12.44 IN
Power Factor	66
Product Family	General Purpose
Pulley End Bearing Type	Ball
Pulley Face Code	Oil Burner Flange
Pulley Shaft Indicator	Standard
Rodent Screen	None
Service Factor	1.25
Shaft Diameter	0.500 IN
Shaft Extension Location	Double Shaft
Shaft Ground Indicator	No Shaft Grounding
Shaft Rotation	Reversible
Shaft Slinger Indicator	No Slinger
Speed	1725 rpm
Speed Code	Single Speed
Starting Method	Direct on line
Thermal Device - Bearing	None
Thermal Device - Winding	None
Vibration Sensor Indicator	No Vibration Sensor
Winding Thermal 1	Manual Thermal Overload
Winding Thermal 1 Location	KO

Nameplate

NP1257L									
CAT.NO.	ANFL3504M								
SPEC.	34H317W204								
HP	.5								
VOLTS	115/230								
AMP	7.4/3.7								
RPM	1725								
FRAME	48YZ			HZ	60		PH	1	
SER.F.	1.25	CODE	J	DES	N	CL	B		
NEMA-NOM-EFF	68	PF	66						
RATING	40C AMB-CONT								
CC									
DE	6203	ODE	6203						
ENCL	TEFC	SN							
	SFA 8.2/4.1								

AC Induction Motor Performance Data

Record # 6920

Typical performance - not guaranteed values

Winding: 34WGW204		Type: 3421L		Enclosure: TEFC	
Nameplate Data			230 V, 60 Hz: High Voltage Connection		
Rated Output (HP)	.5	Full Load Torque	1.5 LB-FT		
Volts	115/208-230	Start Configuration	direct on line		
Full Load Amps	7.4/3.9-3.7	Breakdown Torque	4.13 LB-FT		
R.P.M.	1725	Pull-up Torque	3.6 LB-FT		
Hz	60 Phase	1	Locked-rotor Torque	4.65 LB-FT	
NEMA Design Code	N	KVA Code	J	Starting Current	16.5 A
Service Factor (S.F.)	1.25		No-load Current	2.8 A	
NEMA Nom. Eff.	68	Power Factor	66	Line-line Res. @ 25°C	4.44 Ω A Ph 3.19 Ω B Ph
Rating - Duty	40C AMB-CONT		Temp. Rise @ Rated Load	63°C	
S.F. Amps	8.2/4.1-3.9		Temp. Rise @ S.F. Load	77°C	

Load Characteristics 230 V, 60 Hz, 0.5 HP

% of Rated Load	25	50	75	100	125	150	S.F.
Power Factor	32	46	59	66	72	80	72
Efficiency	42	58	65	68	69	68	69
Speed	1783	1765	1750	1730	1710	1680	1710
Line amperes	2.8	3	3.3	3.7	4.1	4.8	4.1

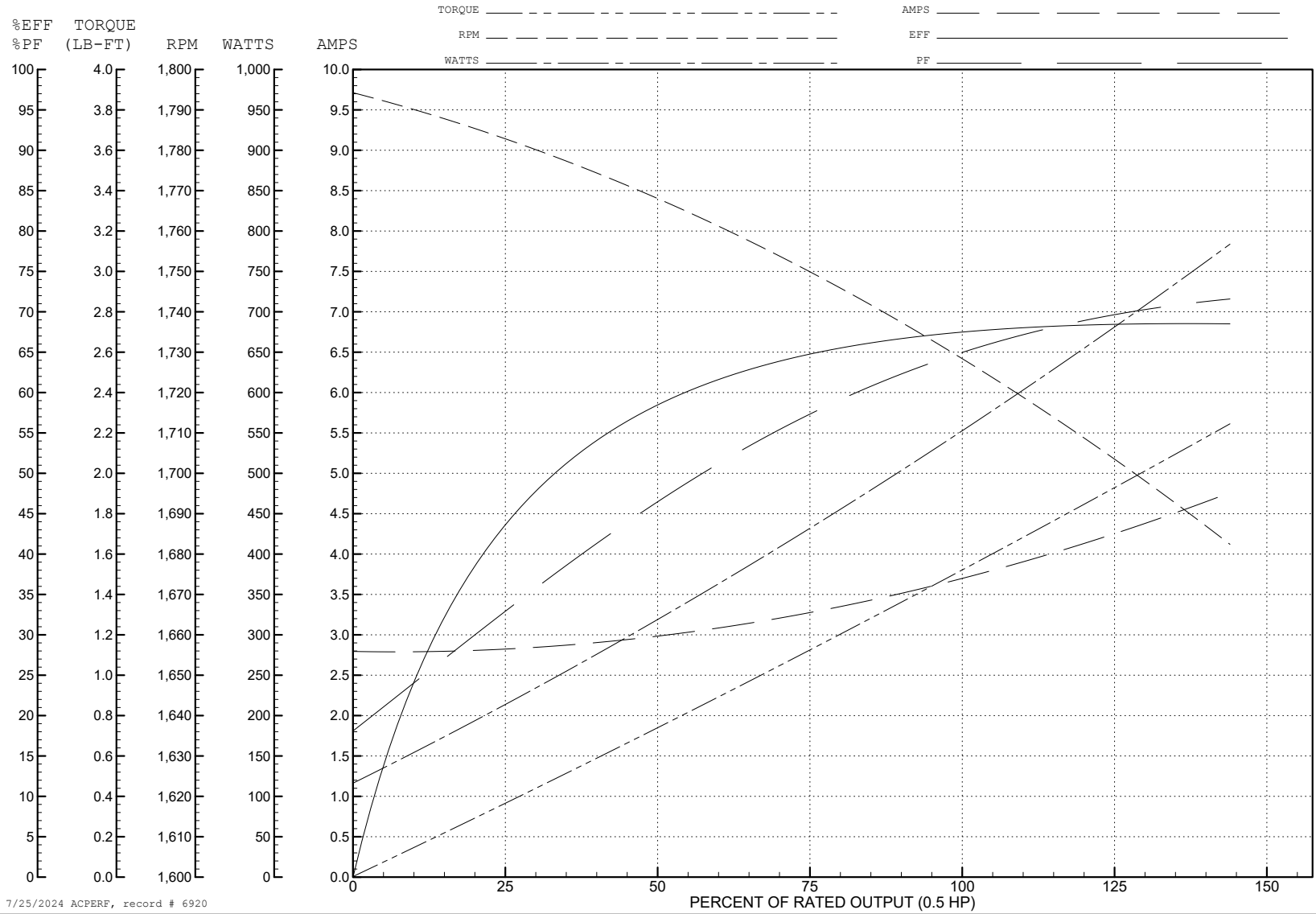
ABB Motors and Mechanical Inc.

WINDING # 34WGW204

Typical performance - not guaranteed values.

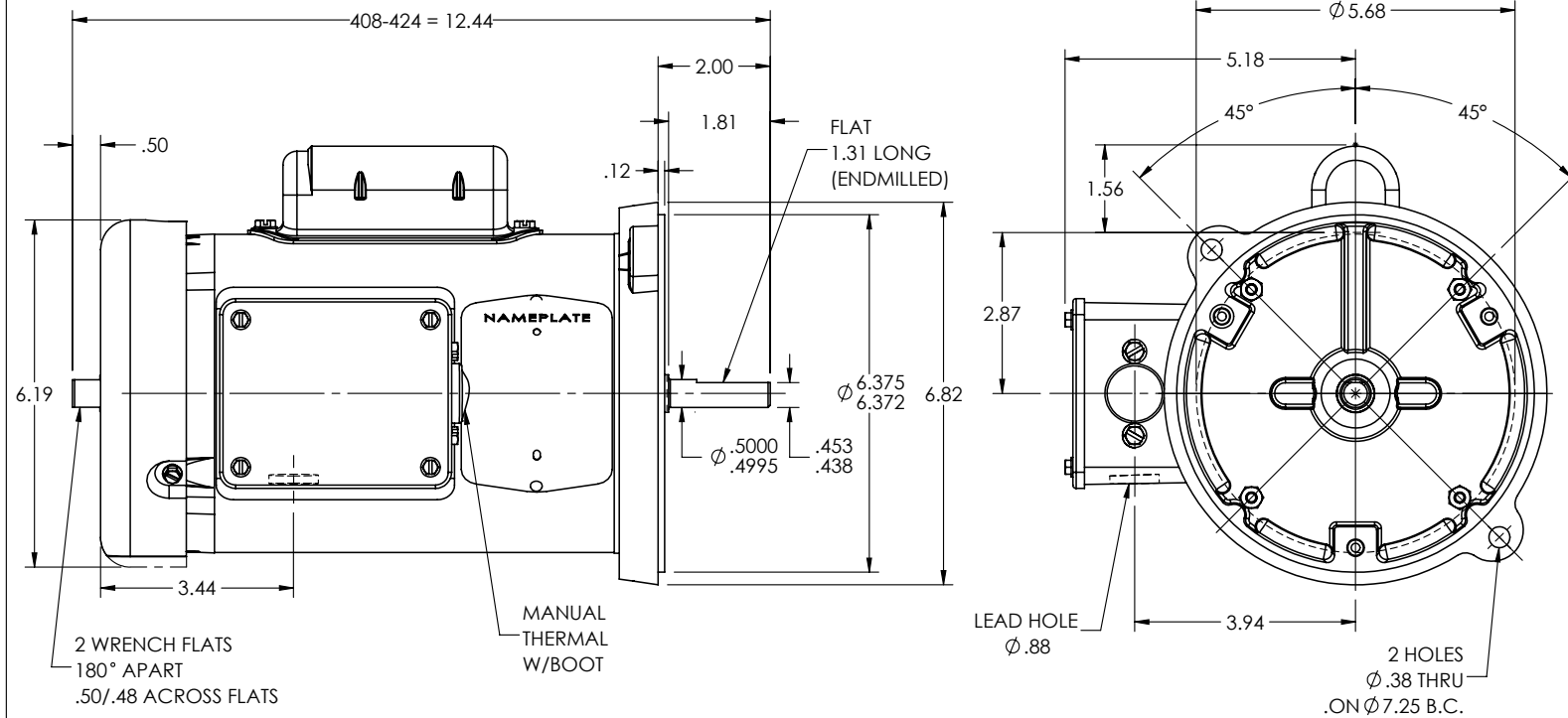
0.5 HP 1 PH 60 HZ 1725 RPM 230 V 3421L

TORQUES (LB-FT): PO=4.13 PU=3.6 LR=4.65 LRA=16.5



7/25/2024 ACPERF, record # 6920

34LYH317



CUSTOMER IS RESPONSIBLE FOR DETERMINING THAT THE PRODUCT WILL PERFORM SUITABLY IN THE INTENDED APPLICATION

REV. DESC: LOAD TO SOLIDWORKS - REV C

REV: D | VERSION: 02 | REVISED: 01:20:39 04/04/2023 | TDR: 000001201165

34LYH317

MODEL NO. 34LYH317
BY: ENFRAJ0

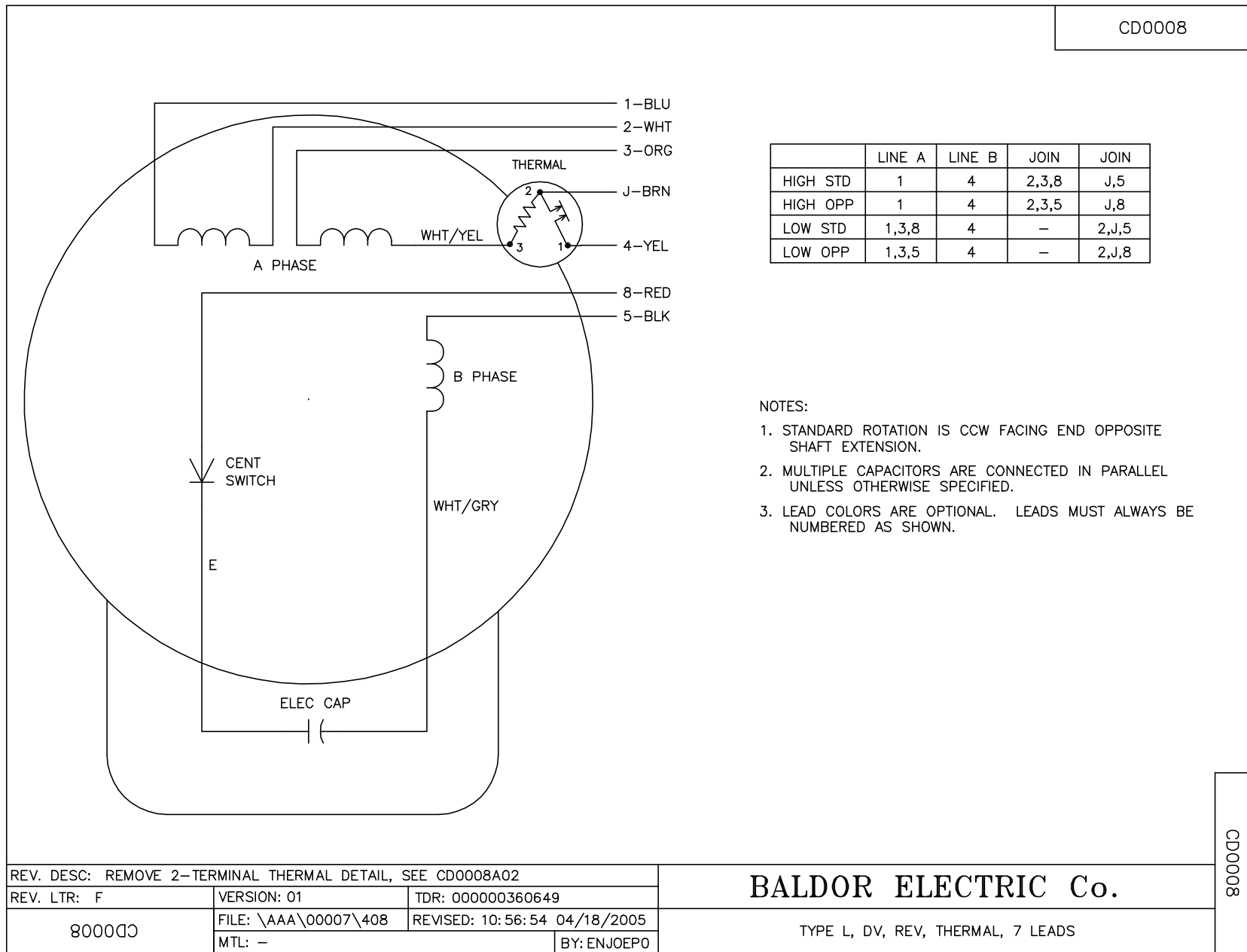
REF: -

BALDOR - RELIANCE®

VERT 34L 48YZ TEFC DBL SHAFT W/MTO IN KOBX & OVERSPEED GUARD

34LYH317

CD0008



	LINE A	LINE B	JOIN	JOIN
HIGH STD	1	4	2,3,8	J,5
HIGH OPP	1	4	2,3,5	J,8
LOW STD	1,3,8	4	-	2,J,5
LOW OPP	1,3,5	4	-	2,J,8

NOTES:

1. STANDARD ROTATION IS CCW FACING END OPPOSITE SHAFT EXTENSION.
2. MULTIPLE CAPACITORS ARE CONNECTED IN PARALLEL UNLESS OTHERWISE SPECIFIED.
3. LEAD COLORS ARE OPTIONAL. LEADS MUST ALWAYS BE NUMBERED AS SHOWN.

REV. DESC: REMOVE 2-TERMINAL THERMAL DETAIL, SEE CD0008A02		
REV. LTR: F	VERSION: 01	TDR: 000000360649
800000	FILE: \AAA\00007\408	REVISED: 10:56:54 04/18/2005
	MTL: -	BY: ENJOEPO

BALDOR ELECTRIC Co.

TYPE L, DV, REV, THERMAL, 7 LEADS

CD0008