

BALDOR • RELIANCE

Customer information packet

AFM3528

.75HP, 3450RPM, 3PH, 60HZ, 56Z, 3413M, TEAO, F1

Class - None

Division - Not Applicable

Specifications

Enclosure	TEAO
Frame	56Z
Frame Material	Steel
Frequency	60.00 Hz
Haz Area Class and Group	None
Haz Area Division	Not Applicable
Motor Letter Type	Three Phase
Output @ Frequency	.750 HP @ 60 HZ
Phase	3
Synchronous Speed @ Frequency	3600 RPM @ 60 HZ
Voltage @ Frequency	230.0 V @ 60 HZ 460.0 V @ 60 HZ
Agency Approvals	CSA UR
Ambient Temperature	40 °C
Auxillary Box	No Auxillary Box
Auxillary Box Lead Termination	None
Base Indicator	Rigid
Bearing Grease Type	Polyrex EM (-20F +300F)
Blower	None
Current @ Voltage	1.300 A @ 460.0 V 2.600 A @ 230.0 V 3.100 A @ 208.0 V
Design Code	B
Drip Cover	No Drip Cover
Duty Rating	CONT
Efficiency @ 100% Load	74.0 %
Electrically Isolated Bearing	Not Electrically Isolated
Feedback Device	NO FEEDBACK
Front Face Code	Terminal Panel
Front Shaft Indicator	None
Heater Indicator	No Heater

Part detail

Revision	AN
Type	AC
Mech. spec.	34K062
Base	
Status	PRD/A
Elec. spec.	34WG0255
Layout	34LYK062
Eff. date	06-15-2023
CD Diagram	CD0005
Poles	02
Leads	9#18 14" LG +/-5" Y
Proprietary	False
Created date	01-01-0001

High Voltage Full Load Amps	1.3 a
Insulation Class	B
Inverter Code	Not Inverter
KVA Code	K
Lifting Lugs	No Lifting Lugs
Locked Bearing Indicator	No Locked Bearing
Motor Lead Exit	Lead Hole
Motor Lead Quantity/Wire Size	9 @ 18 AWG
Motor Lead Termination	Flying Leads
Motor Standards	NEMA
Motor Type	3413M
Mounting Arrangement	F1
Number of Poles	2
Overall Length	10.97 IN
Power Factor	73
Product Family	General Purpose
Pulley End Bearing Type	Sealed Bearing
Pulley Face Code	Standard
Pulley Shaft Indicator	Tapped & Key
Rodent Screen	None
Service Factor	1.25
Shaft Diameter	0.625 IN
Shaft Extension Location	Pulley End
Shaft Ground Indicator	No Shaft Grounding
Shaft Rotation	Reversible
Shaft Slinger Indicator	No Slinger
Speed	3450 rpm
Speed Code	Single Speed
Starting Method	Direct on line
Thermal Device - Bearing	None
Thermal Device - Winding	None
Vibration Sensor Indicator	No Vibration Sensor

Nameplate

NP1279L								
CAT.NO.	AFM3528							
SPEC.	34K62-255							
HP	.75							
VOLTS	230/460							
AMP	2.6/1.3							
RPM	3450							
FRAME	56Z	HZ	60	PH	3			
SER.F.	1.25	CODE	K	DES	B	CL	B	
NEMA-NOM-EFF	74	PF	73					
RATING	40C AMB-CONT							
CC							USABLE AT 208V	N/A
DE	6203	ODE	6203					
ENCL	TEAO	SN						
	SFA 3/1.5							

AC Induction Motor Performance Data

Record # 6564

Typical performance - not guaranteed values

Winding: 34WG0255-R001		Type: 3413M		Enclosure: TEFC	
Nameplate Data			460 V, 60 Hz: High Voltage Connection		
Rated Output (HP)	.75		Full Load Torque	1.2 LB-FT	
Volts	230/460		Start Configuration	direct on line	
Full Load Amps	2.6/1.3		Breakdown Torque	4.8 LB-FT	
R.P.M.	3450		Pull-up Torque	3.5 LB-FT	
Hz	60 Phase	3	Locked-rotor Torque	3.9 LB-FT	
NEMA Design Code	B KVA Code	K	Starting Current	7.6 A	
Service Factor (S.F.)	1.25		No-load Current	0.85 A	
NEMA Nom. Eff.	74 Power Factor	73	Line-line Res. @ 25°C	24.6 Ω	
Rating - Duty	40C AMB-CONT		Temp. Rise @ Rated Load	64°C	
S.F. Amps	3/1.5		Temp. Rise @ S.F. Load	84°C	

Load Characteristics 460 V, 60 Hz, 0.75 HP

% of Rated Load	25	50	75	100	125	150	S.F.
Power Factor	39	58	67	78	82	84	82
Efficiency	57.7	70.6	73.6	75.1	74.7	74	74.7
Speed	3553	3518	3481	3440	3395	3344	3395
Line amperes	0.95	1.02	1.12	1.33	1.5	1.62	1.5

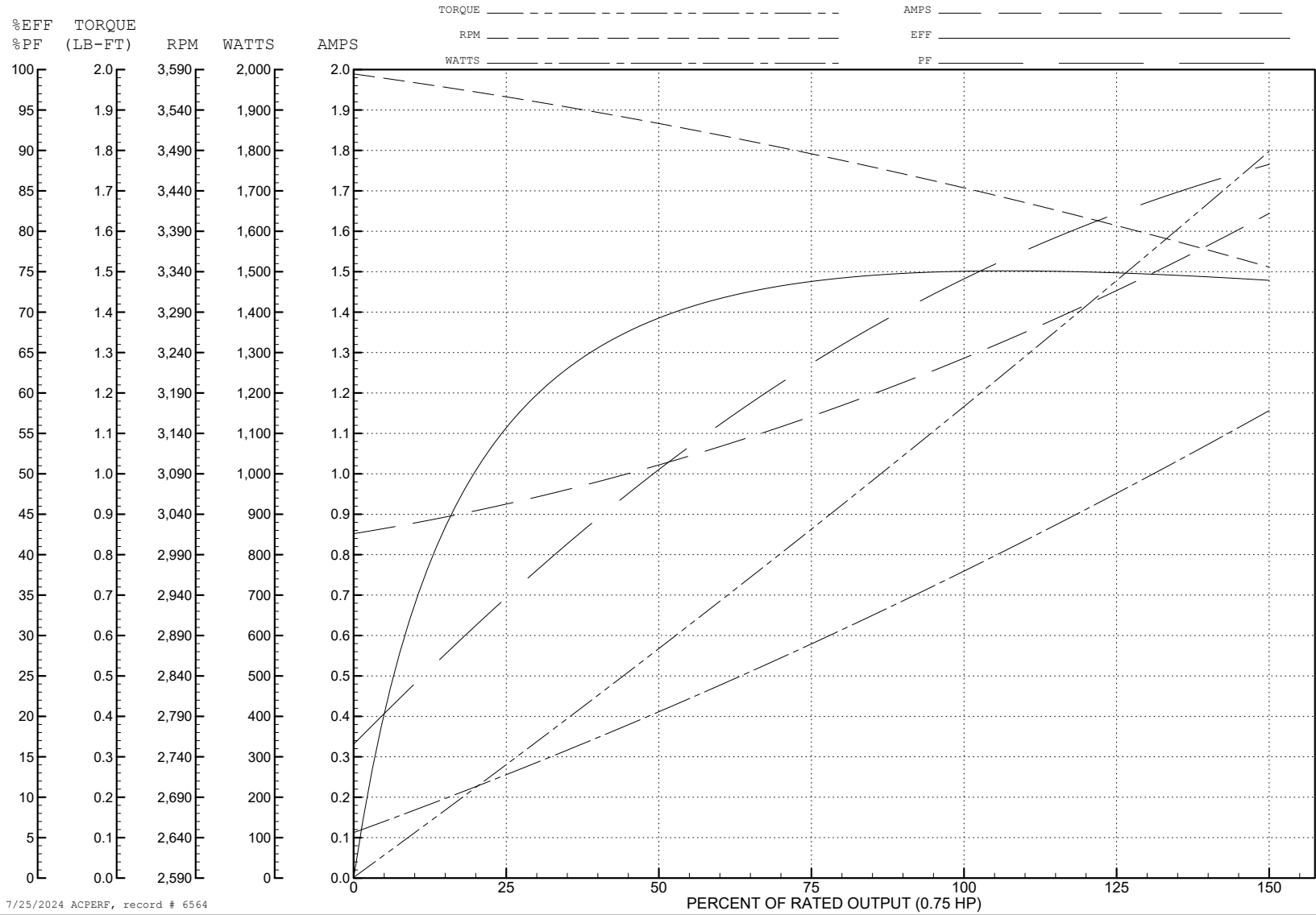
ABB Motors and Mechanical Inc.

WINDING # 34WG0255

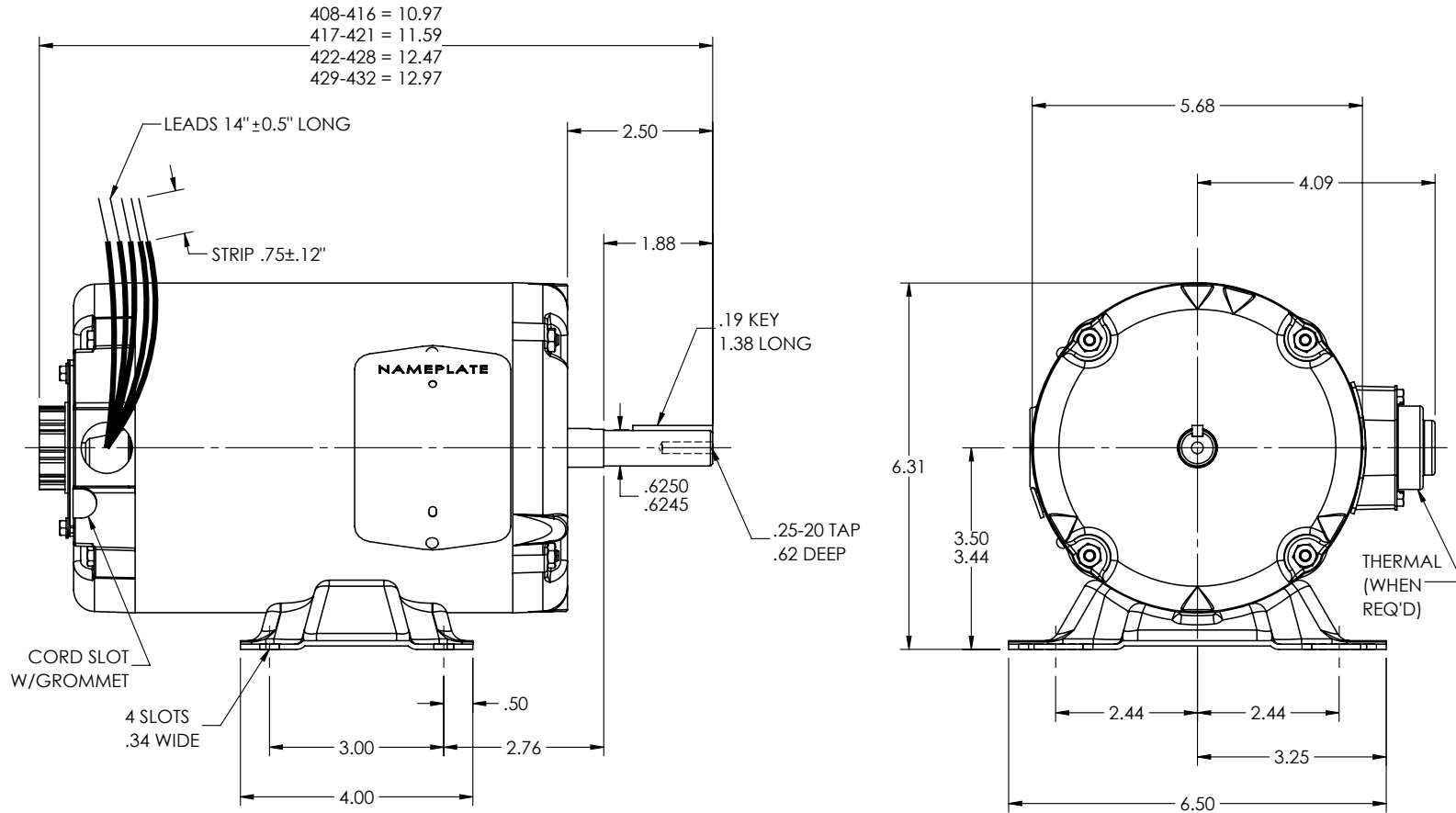
Typical performance - not guaranteed values.

0.75 HP 3 PH 60 HZ 3450 RPM 460 V 3413M

TORQUES (LB-FT): PO=4.8 PU=3.5 LR=3.9 LRA=7.6



34LYK062



CUSTOMER IS RESPONSIBLE FOR DETERMINING THAT THE PRODUCT WILL PERFORM SUITABLY IN THE INTENDED APPLICATION

REV. DESC: LOAD TO SOLIDWORKS - REV J

REV: K	VERSION: 02	REVISED: 09:26:24 01/06/2023	TDR: 000001201165
--------	-------------	------------------------------	-------------------

34LYK062

MODEL NO. 34LYK062

BY: ENFRAJ0

REF: -

BALDOR - RELIANCE®

HORZ MODEL 34M NEMA 56Z TENV W/TERM PANEL & .25-20 TAP

34LYK062

CD0005



LOW VOLTAGE
(2Y)



LINE

HIGH VOLTAGE
(1Y)



LINE

NOTES:

1. INTERCHANGE ANY TWO LINE LEADS TO REVERSE ROTATION.
2. OPTIONAL THERMOSTATS ARE PROVIDED WHEN SPECIFIED.
3. ACTUAL NUMBER OF INTERNAL PARALLEL CIRCUITS MAY BE A MULTIPLE OF THOSE SHOWN ABOVE.
4. LEAD COLORS ARE OPTIONAL. LEADS MUST ALWAYS BE NUMBERED AS SHOWN.

CD0005

REV. DESC: REVISE TO SHOW OPTIONAL COLORS			
REV. LTR: E	BY: JLP	REVISED: 01/19/99 10:15	TDR: 0171435
S00000		FILE: AAA00005140	MDL: -
		MTL: -	

BALDOR ELECTRIC Co.

3PH, DV, 9 LEADS