

ABB BALDOR RELIANCE III

Customer information packet

AFL3524A

3HP, 3450RPM, 1PH, 60HZ, 145TZ, 3535LC, TEAO

Class - None

Division - Not Applicable

Specifications

Enclosure	TEAO
Frame	145TZ
Frame Material	Steel
Frequency	60.00 Hz
Haz Area Class and Group	None
Haz Area Division	Not Applicable
Motor Letter Type	Cap Start, Cap Run
Output @ Frequency	3.000 HP @ 60 HZ
Phase	1
Synchronous Speed @ Frequency	3600 RPM @ 60 HZ
Voltage @ Frequency	230.0 V @ 60 HZ
Agency Approvals	CSA UR
Ambient Temperature	40 °C
Auxiliary Box	NO AUXILLARY BOX
Auxiliary Box Lead Termination	None
Base Indicator	Rigid
Bearing Grease Type	Polyrex EM (-20F +300F)
Blower	None
Current @ Voltage	15.000 A @ 230.0 V
Drip Cover	No Drip Cover
Duty Rating	CONT
Electrically Isolated Bearing	Not Electrically Isolated
Feedback Device	NO FEEDBACK
Front Face Code	Terminal Panel
Front Shaft Indicator	None
Heater Indicator	No Heater
High Voltage Full Load Amps	15.0 a
Insulation Class	B
Inverter Code	Not Inverter
KVA Code	H
Lifting Lugs	No Lifting Lugs

Part Detail

Revision	AF
Type	AC
Mech. spec.	35T906
Base	
Status	PRD/A
Elec. spec.	35WGY039
Layout	35LYT906
Eff. date	07-25-2024
CD Diagram	CD0225A02
Poles	02
Leads	2#14 A PH,3#18 B&J
Proprietary	False
Created date	06-22-2007

Locked Bearing Indicator	No Locked Bearing
Motor Lead Exit	Terminal Panel Or Lead Hole
Motor Lead Quantity/Wire Size	2 @ 14 AWG, A PH
Motor Lead Termination	Flying Leads
Motor Standards	NEMA
Motor Type	3535LC
Mounting Arrangement	F1
Number of Poles	2
Overall Length	13.61 IN
Product Family	General Purpose
Pulley End Bearing Type	Ball
Pulley Face Code	Standard
Pulley Shaft Indicator	Tapped & Key
Rodent Screen	None
RoHS Status	ROHS COMPLIANT
Service Factor	1.00
Shaft Diameter	0.875 IN
Shaft Extension Location	Pulley End
Shaft Ground Indicator	No Shaft Grounding
Shaft Rotation	Reversible: Connected Standard
Shaft Slinger Indicator	No Slinger
Speed	3450 rpm
Speed Code	Single Speed
Starting Method	Direct on line
Thermal Device - Bearing	None
Thermal Device - Winding	None
Vibration Sensor Indicator	No Vibration Sensor
Winding Thermal 1	Automatic Thermal Overload
Winding Thermal 1 Location	SB
Winding Thermal 2	None

Nameplate

NP1280L									
CAT.NO.	AFL3524A								
SPEC.	35T906Y039								
HP	3 AIR OVER								
VOLTS	230								
AMP	15								
RPM	3450								
FRAME	145TZ	HZ	60	PH	1				
SER.F.	1.00	CODE	H	DES	-	CL	B		
NEMA-NOM-EFF		PF							
RATING	40C AMB-CONT								
CC									
DE	6205	ODE	6203						
ENCL	TEAO	SN							

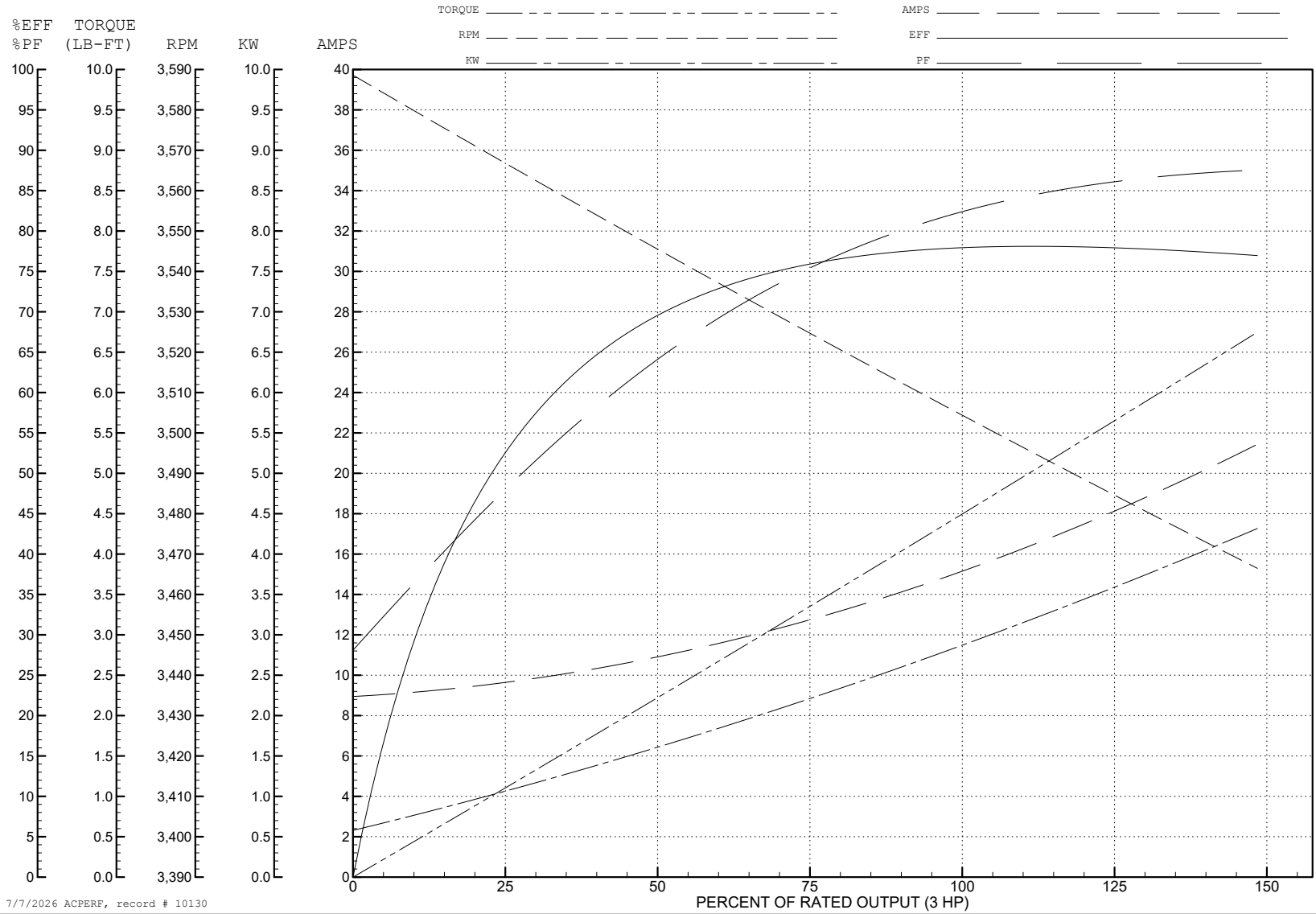
ABB Motors and Mechanical Inc.

WINDING # 35WGY039

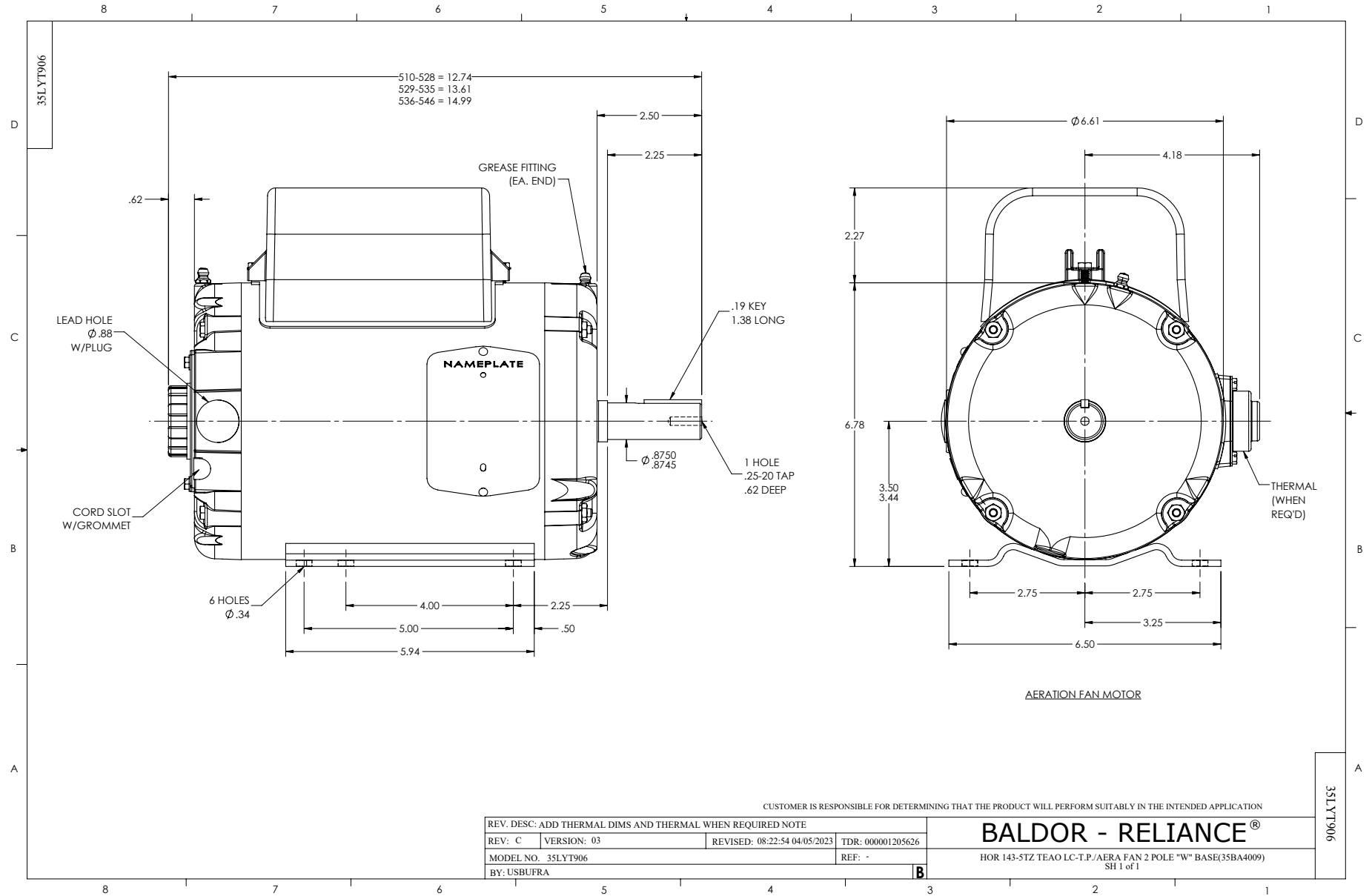
Typical performance - not guaranteed values.

3 HP 1 PH 60 HZ 3450 RPM 230 V 3535LC

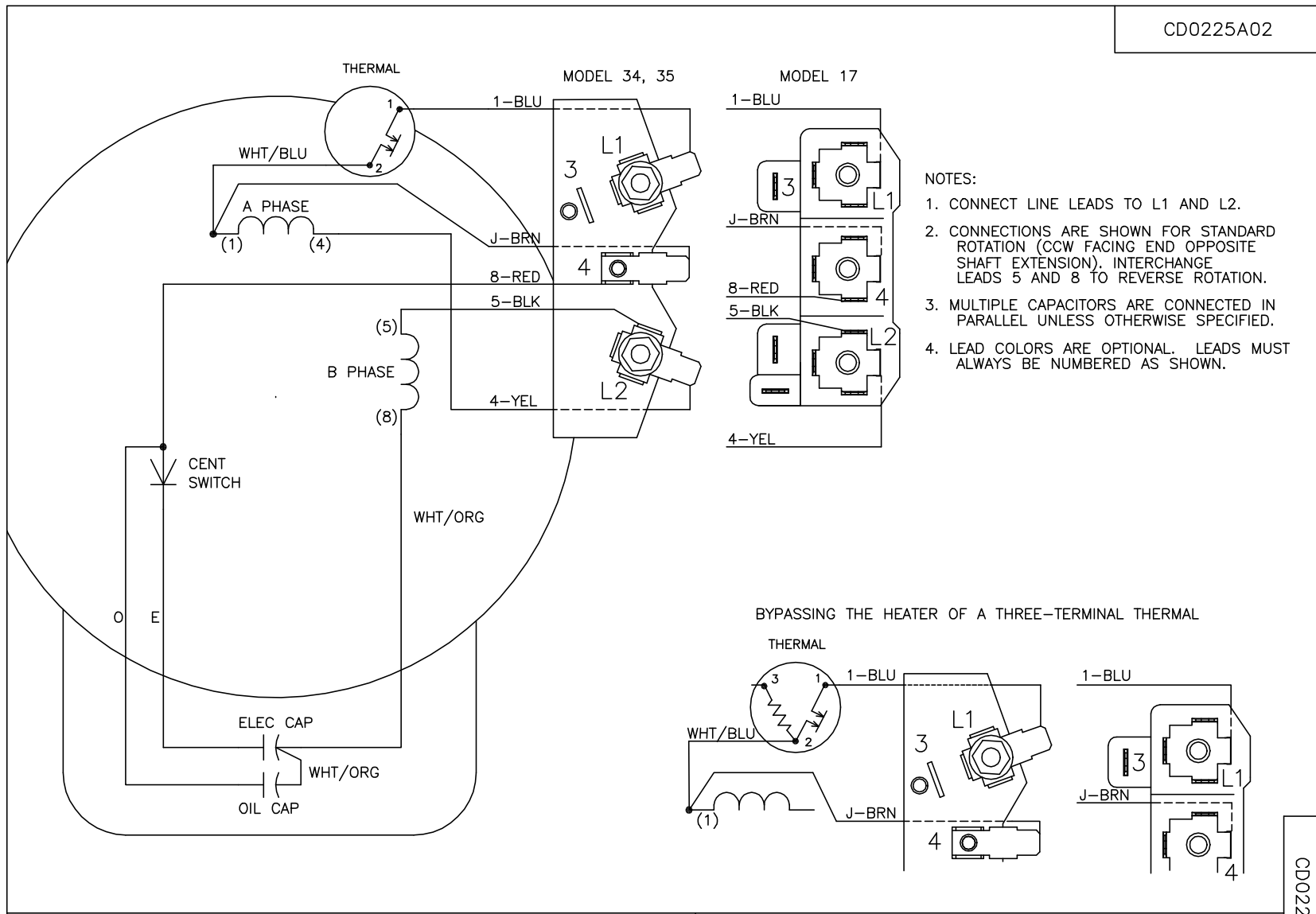
TORQUES (LB-FT): PO=14.7 PU=11 LR=13.6 LRA=92



7/7/2026 ACPERF, record # 10130



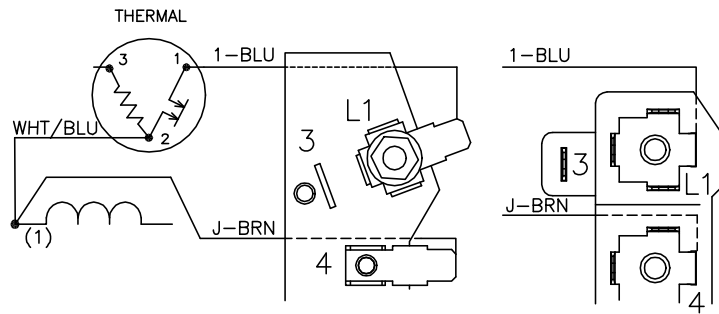
CD0225A02



NOTES:

1. CONNECT LINE LEADS TO L1 AND L2.
2. CONNECTIONS ARE SHOWN FOR STANDARD ROTATION (CCW FACING END OPPOSITE SHAFT EXTENSION). INTERCHANGE LEADS 5 AND 8 TO REVERSE ROTATION.
3. MULTIPLE CAPACITORS ARE CONNECTED IN PARALLEL UNLESS OTHERWISE SPECIFIED.
4. LEAD COLORS ARE OPTIONAL. LEADS MUST ALWAYS BE NUMBERED AS SHOWN.

BYPASSING THE HEATER OF A THREE-TERMINAL THERMAL



REV. DESC: NEW		
REV. LTR: -	VERSION: 00	TDR: 000000371236
CD0225A02	FILE: \AAA\00128\491	REVISED: 10:56:09 07/25/2005
	MTL: -	BY: ENJOEPO

BALDOR ELECTRIC Co.

TYPE LC, SV, REV, 2-TERMINAL THERMAL, TERMINAL PLATE

CD0225A02