

ABB BALDOR RELIANCE III

Customer information packet

AEM4311-4

50HP, 1780RPM, 3PH, 60HZ, 365U, 1458M, TEFC, F1

Class - None

Division - Not Applicable

Specifications

Enclosure	TEFC
Frame	365U
Frame Material	Iron
Frequency	60.00 Hz
Haz Area Class and Group	None
Haz Area Division	Not Applicable
Motor Letter Type	Three Phase
Output @ Frequency	50.000 HP @ 60 HZ
Phase	3
Synchronous Speed @ Frequency	1800 RPM @ 60 HZ
Voltage @ Frequency	460.0 V @ 60 HZ
Agency Approvals	CSA EEV CCSA US
Ambient Temperature	65 °C
Auxiliary Box	NO AUXILLARY BOX
Base Indicator	Rigid
Bearing Grease Type	Polyrex EM (-20F +300F)
Current @ Voltage	56.000 A @ 460.0 V
Design Code	B
Drip Cover	No Drip Cover
Duty Rating	CONT
Efficiency @ 100% Load	94.5 %
Feedback Device	NO FEEDBACK
Heater Indicator	No Heater
High Voltage Full Load Amps	56.0 a
Insulation Class	F
Inverter Code	Inverter Ready
KVA Code	G
Lifting Lugs	No Lifting Lugs
Motor Lead Quantity/Wire Size	3 @ 4 AWG
Motor Standards	NEMA
Motor Type	A36062M

Part Detail

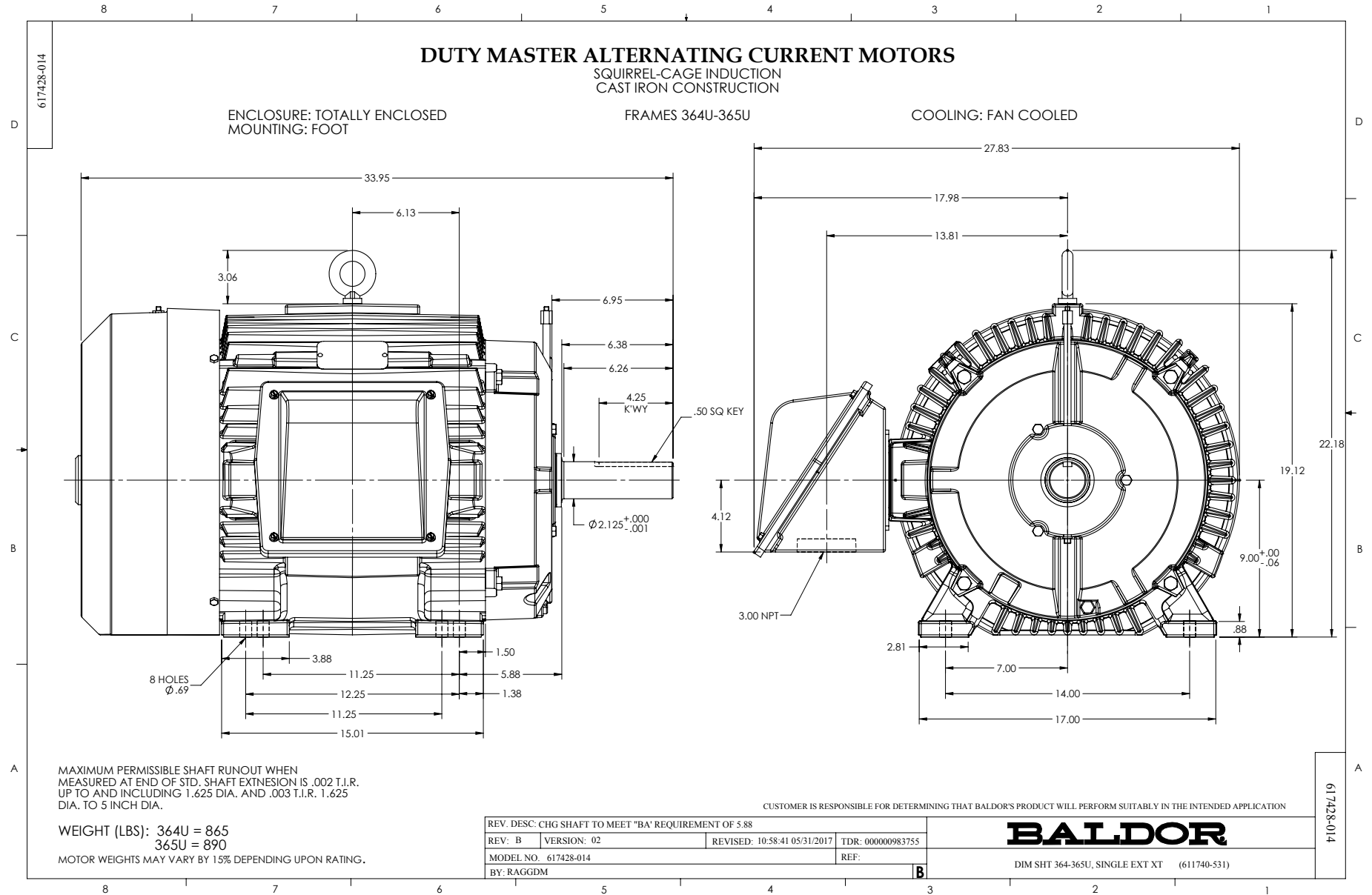
Revision	D
Type	AC
Mech. spec.	
Base	
Status	PRD/A
Elec. spec.	A36WG4089
Layout	617428-014
Eff. date	07-24-2025
CD Diagram	CD0006
Poles	04
Leads	3#4
Proprietary	False
Created date	07-21-2016

Mounting Arrangement	F1
Number of Poles	4
Overall Length	33.94 IN
Power Factor	88
Pulley End Bearing Type	Ball
Pulley Face Code	Standard
Service Factor	1.00
Shaft Diameter	2.124 IN
Shaft Ground Indicator	No Shaft Grounding
Shaft Rotation	Reversible
Shaft Slinger Indicator	Shaft Slinger
Speed	1780 rpm
Speed Code	Single Speed
Starting Method	Direct on line
Thermal Device - Bearing	None
Thermal Device - Winding	None

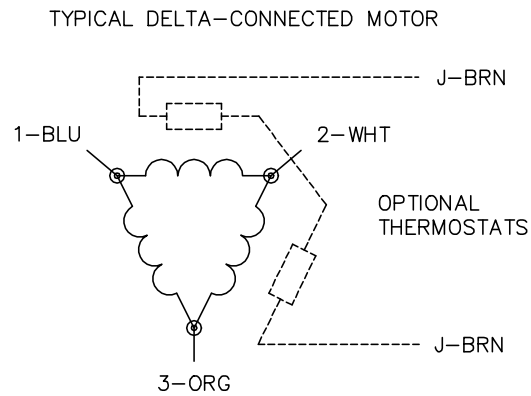
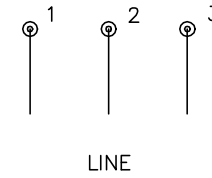
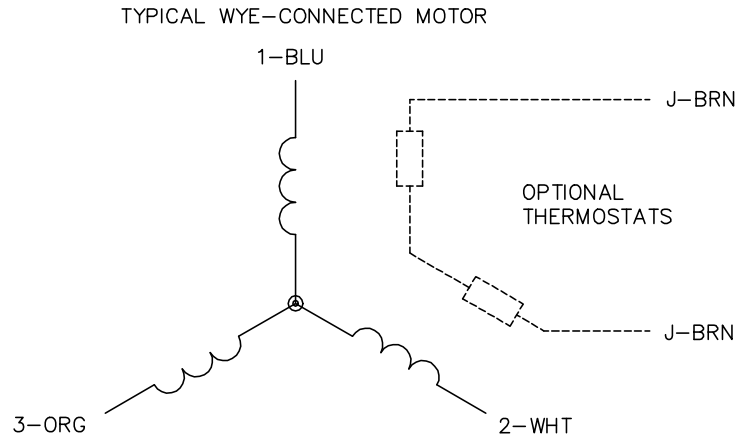
Nameplate

NP2492L

SPEC NO.	P36G3114	CAT.NO.	AEM4311-4		FRAME	365U
HP	50	VOLTS	460	PHASE	3	DESIGN B TYPE P
RPM	1780	AMPS	58	HZ	60	AMB 65 SF 1.00
DRIVE END BEARING	65BC03JPP30A	LUBRICATION	DUTY CONT		INSUL.CLASS	F
OPP D.E. BEARING	65BC03JPP30A	MOBIL POLYREX EM	ENCL	TEFC	CODE	G
AMB	ALERNATE RATING-S.F.		ALTITUDE	NEMA-NOM-EFF		94.5
65	1.00	3300	GUARANTEED EFFICIENCY	93.6		
SER.NO.						
	MOTOR WEIGHT					



CD0006



NOTES:

1. THREE LEAD MOTOR MAY BE EITHER WYE CONNECTED OR DELTA CONNECTED.
2. INTERCHANGE ANY TWO LINE LEADS TO REVERSE ROTATION.
3. OPTIONAL THERMOSTATS ARE PROVIDED WHEN SPECIFIED.
4. ACTUAL NUMBER OF INTERNAL PARALLEL CIRCUITS MAY VARY.
5. LEAD COLORS ARE OPTIONAL. LEADS MUST BE NUMBERED AS SHOWN.

CD0006

REV. DESC: ADD CLASS CONN00000007		
REV. LTR: E	VERSION: 01	TDR: 000001099922
FILE: \AAA\00005\141	REVISED: 10:24:49 02/19/2019	BY: ENBRIRO
MTL: -		© □

BALDOR - RELIANCE®

3PH, SV, 3 LEADS, WYE OR DELTA CONNECTED

SH 1 of 1