

# **ABB BALDOR RELIANCE III**

---

## **Customer information packet**

### AEM4307-4

40HP, 1780RPM, 3PH, 60HZ, 364U, 1448M, TEFC, F1

Class - None

Division - Not Applicable

**Specifications**

<b>Enclosure</b>	TEFC
<b>Frame</b>	364U
<b>Frame Material</b>	Iron
<b>Frequency</b>	60.00 Hz
<b>Haz Area Class and Group</b>	None
<b>Haz Area Division</b>	Not Applicable
<b>Motor Letter Type</b>	Three Phase
<b>Output @ Frequency</b>	40.000 HP @ 60 HZ
<b>Phase</b>	3
<b>Synchronous Speed @ Frequency</b>	1800 RPM @ 60 HZ
<b>Voltage @ Frequency</b>	460.0 V @ 60 HZ
<b>Agency Approvals</b>	CSA EEV CCSA US
<b>Ambient Temperature</b>	65 °C
<b>Auxiliary Box</b>	NO AUXILLARY BOX
<b>Base Indicator</b>	Rigid
<b>Bearing Grease Type</b>	Polyrex EM (-20F +300F)
<b>Current @ Voltage</b>	45.000 A @ 460.0 V
<b>Design Code</b>	B
<b>Drip Cover</b>	No Drip Cover
<b>Duty Rating</b>	CONT
<b>Efficiency @ 100% Load</b>	94.5 %
<b>Feedback Device</b>	NO FEEDBACK
<b>Heater Indicator</b>	No Heater
<b>High Voltage Full Load Amps</b>	45.0 a
<b>Insulation Class</b>	F
<b>Inverter Code</b>	Not Inverter
<b>KVA Code</b>	G
<b>Lifting Lugs</b>	No Lifting Lugs
<b>Motor Lead Quantity/Wire Size</b>	3 @ 6 AWG
<b>Motor Standards</b>	NEMA
<b>Motor Type</b>	A36050M

**Part Detail**

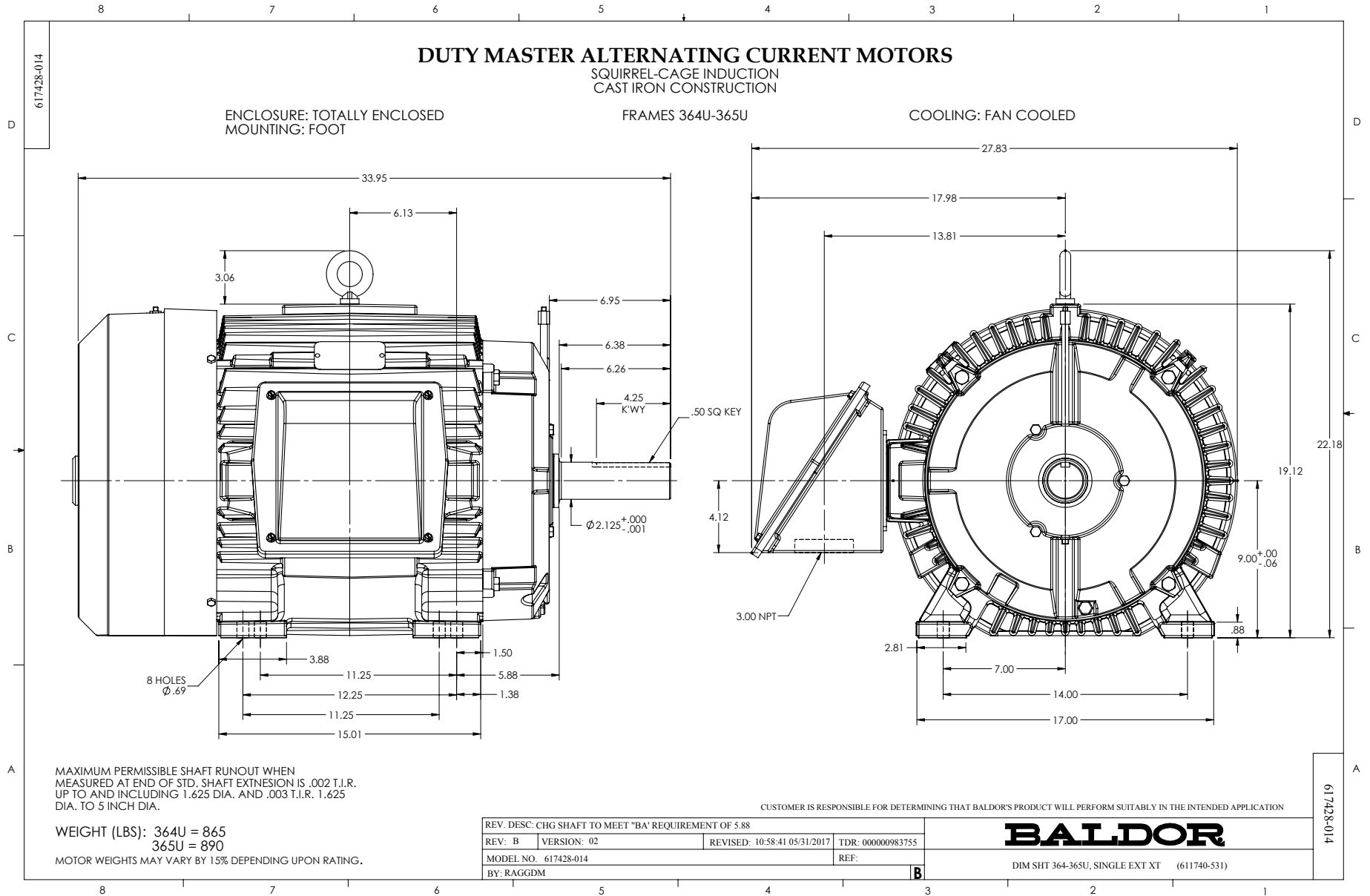
<b>Revision</b>	L
<b>Type</b>	AC
<b>Mech. spec.</b>	
<b>Base</b>	
<b>Status</b>	PRD/A
<b>Elec. spec.</b>	A36WG4088
<b>Layout</b>	617428-014
<b>Eff. date</b>	09-11-2025
<b>CD Diagram</b>	CD0006
<b>Poles</b>	04
<b>Leads</b>	3#4
<b>Proprietary</b>	False
<b>Created date</b>	10-19-2010

<b>Mounting Arrangement</b>	F1
<b>Number of Poles</b>	4
<b>Overall Length</b>	33.94 IN
<b>Pulley End Bearing Type</b>	Ball
<b>Pulley Face Code</b>	Standard
<b>Service Factor</b>	1.00
<b>Shaft Ground Indicator</b>	No Shaft Grounding
<b>Shaft Rotation</b>	Reversible
<b>Shaft Slinger Indicator</b>	Shaft Slinger
<b>Speed</b>	1785 rpm
<b>Speed Code</b>	Single Speed
<b>Starting Method</b>	Direct on line
<b>Thermal Device - Bearing</b>	None
<b>Thermal Device - Winding</b>	None

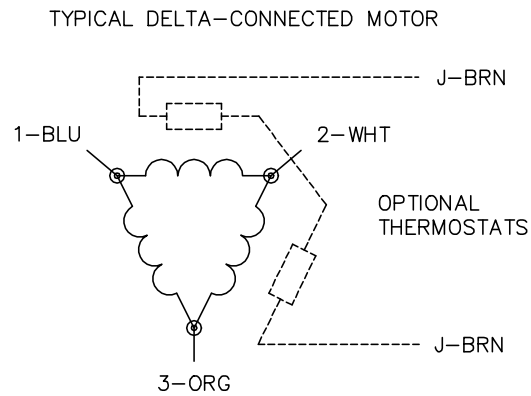
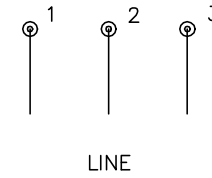
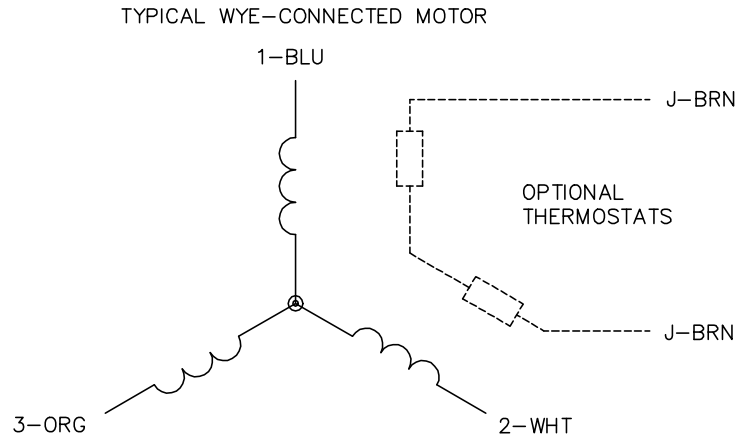
**Nameplate**

**NP2492L**

<b>SPEC NO.</b>	P36G3112	<b>CAT.NO.</b>	AEM4307-4	<b>FRAME</b>	364U
<b>HP</b>	40	<b>VOLTS</b>	460	<b>PHASE</b>	3
<b>RPM</b>	1780	<b>AMPS</b>	47	<b>HZ</b>	60
<b>DRIVE END BEARING</b>	65BC03JPP30A	<b>LUBRICATION</b>	MOBIL POLYREX EM	<b>DUTY</b>	CONT
<b>OPP D.E. BEARING</b>	65BC03JPP30A	<b>ENCL</b>	TEFC	<b>INSUL.CLASS</b>	F
<b>AMB</b>	65	<b>ALERNATE RATING-S.F.</b>	1.00	<b>ALTITUDE</b>	3300
<b>SER.NO.</b>		<b>GUARANTEED EFFICIENCY</b>	93	<b>NEMA-NOM-EFF</b>	94.1
		<b>MOTOR WEIGHT</b>			



CD0006



NOTES:

1. THREE LEAD MOTOR MAY BE EITHER WYE CONNECTED OR DELTA CONNECTED.
2. INTERCHANGE ANY TWO LINE LEADS TO REVERSE ROTATION.
3. OPTIONAL THERMOSTATS ARE PROVIDED WHEN SPECIFIED.
4. ACTUAL NUMBER OF INTERNAL PARALLEL CIRCUITS MAY VARY.
5. LEAD COLORS ARE OPTIONAL. LEADS MUST BE NUMBERED AS SHOWN.

CD0006

REV. DESC: ADD CLASS CONN00000007		
REV. LTR: E	VERSION: 01	TDR: 000001099922
FILE: \AAA\00005\141	REVISED: 10:24:49 02/19/2019	BY: ENBRIRO
MTL: -		© □

**BALDOR - RELIANCE®**

3PH, SV, 3 LEADS, WYE OR DELTA CONNECTED

SH 1 of 1