

# ABB BALDOR RELIANCE III

---

## Customer information packet

AEM4104-4

30HP, 1775RPM, 3PH, 60HZ, 326U, 1250M, TEFC, F1

Class - None

Division - Not Applicable

**Specifications**

<b>Enclosure</b>	TEFC
<b>Frame</b>	326U
<b>Frame Material</b>	Iron
<b>Frequency</b>	60.00 Hz
<b>Haz Area Class and Group</b>	None
<b>Haz Area Division</b>	Not Applicable
<b>Motor Letter Type</b>	Three Phase
<b>Output @ Frequency</b>	30.000 HP @ 60 HZ
<b>Phase</b>	3
<b>Synchronous Speed @ Frequency</b>	1800 RPM @ 60 HZ
<b>Voltage @ Frequency</b>	460.0 V @ 60 HZ
<b>Agency Approvals</b>	UR CSA
<b>Ambient Temperature</b>	65 °C
<b>Auxiliary Box</b>	NO AUXILLARY BOX
<b>Auxiliary Box Lead Termination</b>	None
<b>Base Indicator</b>	Rigid
<b>Bearing Grease Type</b>	Polyrex EM (-20F +300F)
<b>Blower</b>	None
<b>Current @ Voltage</b>	35.000 A @ 460.0 V
<b>Design Code</b>	B
<b>Drip Cover</b>	No Drip Cover
<b>Duty Rating</b>	CONT
<b>Efficiency @ 100% Load</b>	93.6 %
<b>Electrically Isolated Bearing</b>	Not Electrically Isolated
<b>Feedback Device</b>	NO FEEDBACK
<b>Front Face Code</b>	Standard
<b>Front Shaft Indicator</b>	None
<b>Heater Indicator</b>	No Heater
<b>High Voltage Full Load Amps</b>	35.0 a
<b>Insulation Class</b>	F
<b>Inverter Code</b>	Inverter Ready

**Part Detail**

<b>Revision</b>	AD
<b>Type</b>	AC
<b>Mech. spec.</b>	12H79
<b>Base</b>	
<b>Status</b>	PRD/A
<b>Elec. spec.</b>	12WGX202
<b>Layout</b>	12LYH079
<b>Eff. date</b>	08-01-2023
<b>CD Diagram</b>	CD0006
<b>Poles</b>	04
<b>Leads</b>	3#8
<b>Proprietary</b>	False
<b>Created date</b>	01-01-0001

<b>KVA Code</b>	G
<b>Lifting Lugs</b>	Standard Lifting Lugs
<b>Locked Bearing Indicator</b>	Locked Bearing
<b>Motor Lead Exit</b>	Ko Box
<b>Motor Lead Quantity/Wire Size</b>	3 @ 8 AWG
<b>Motor Lead Termination</b>	Ring Terminals
<b>Motor Standards</b>	NEMA
<b>Motor Type</b>	1250M
<b>Mounting Arrangement</b>	F1
<b>Number of Poles</b>	4
<b>Overall Length</b>	30.66 IN
<b>Power Factor</b>	86
<b>Product Family</b>	Automotive (Not For DC)
<b>Pulley End Bearing Type</b>	Ball
<b>Pulley Face Code</b>	Standard
<b>Pulley Shaft Indicator</b>	Standard
<b>Rodent Screen</b>	None
<b>Service Factor</b>	1.00
<b>Shaft Diameter</b>	1.875 IN
<b>Shaft Extension Location</b>	Pulley End
<b>Shaft Ground Indicator</b>	No Shaft Grounding
<b>Shaft Rotation</b>	Reversible
<b>Shaft Slinger Indicator</b>	Shaft Slinger
<b>Speed</b>	1775 rpm
<b>Speed Code</b>	Single Speed
<b>Starting Method</b>	Direct on line
<b>Thermal Device - Bearing</b>	NONE (OLD)
<b>Thermal Device - Winding</b>	None
<b>Vibration Sensor Indicator</b>	No Vibration Sensor
<b>Winding Thermal 1</b>	None
<b>Winding Thermal 2</b>	None

**Nameplate**

<b>NP1404</b>									
<b>CAT.NO.</b>	AEM4104-4								
<b>SPEC.</b>	12H079X202G1								
<b>VOLTS</b>	460								
<b>AMP</b>	35								
<b>RPM</b>	1775		<b>HP</b>	30					
<b>FRAME</b>	326U		<b>HZ</b>	60		<b>PH</b>	3		
<b>SER.F.</b>	1.00	<b>CODE</b>	G	<b>DES</b>	B	<b>CL</b>	F		
<b>NEMA-NOM-EFF</b>	93.6	<b>PF</b>	86						
<b>G.MIN.EFF</b>	92.4	<b>CC</b>	010A						
<b>RATING</b>	65C AMB-CONT								
<b>LUBRICATION</b>	POLYREX EM								
<b>DE</b>	6312	<b>ODE</b>	6311						
<b>ENCL</b>	TEFC	<b>SER. #</b>							

**Accessories**

<b>Part number</b>	<b>Description</b>	<b>Multiplier</b>
12-1105	C FACE KIT	A8

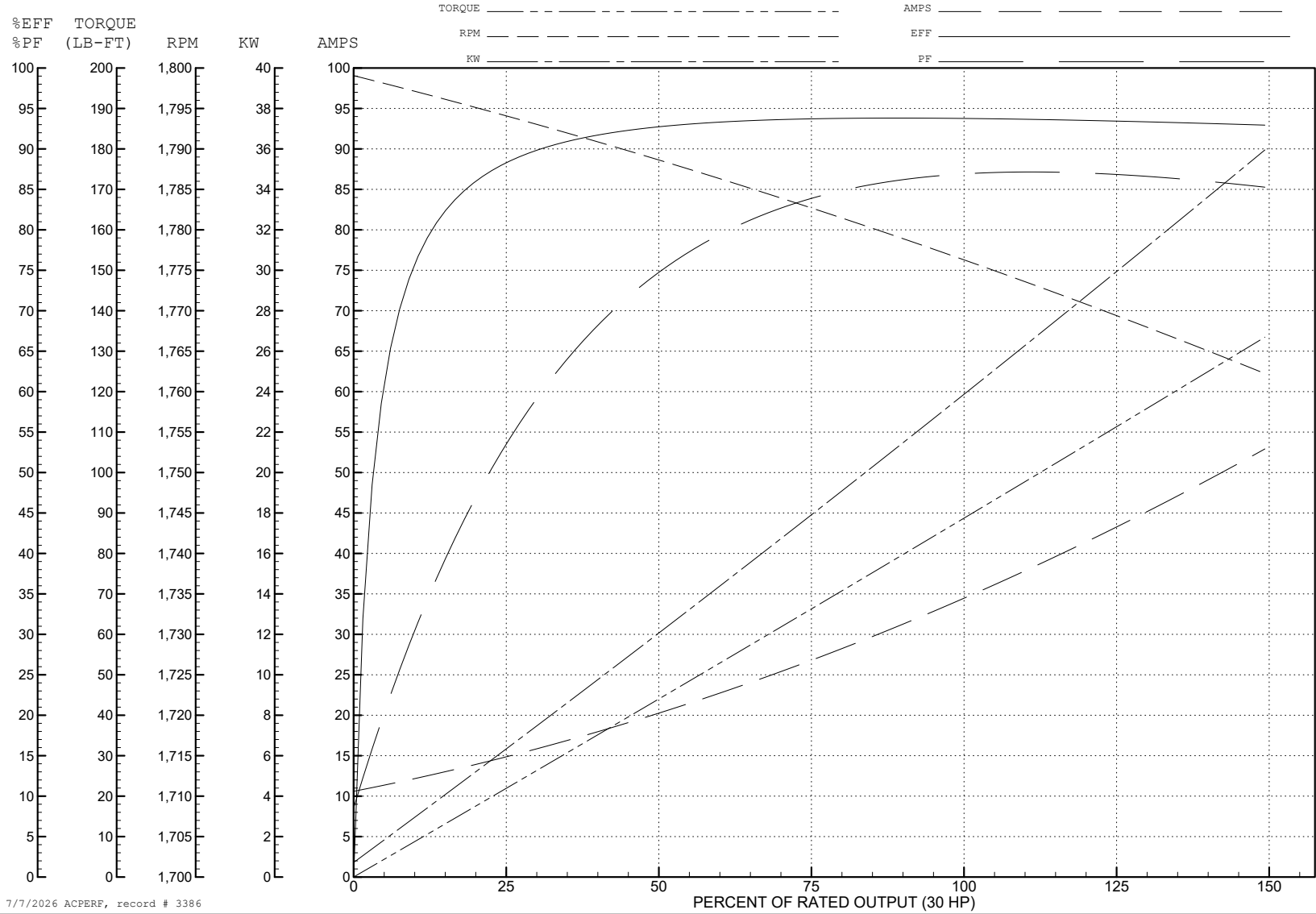
ABB Motors and Mechanical Inc.

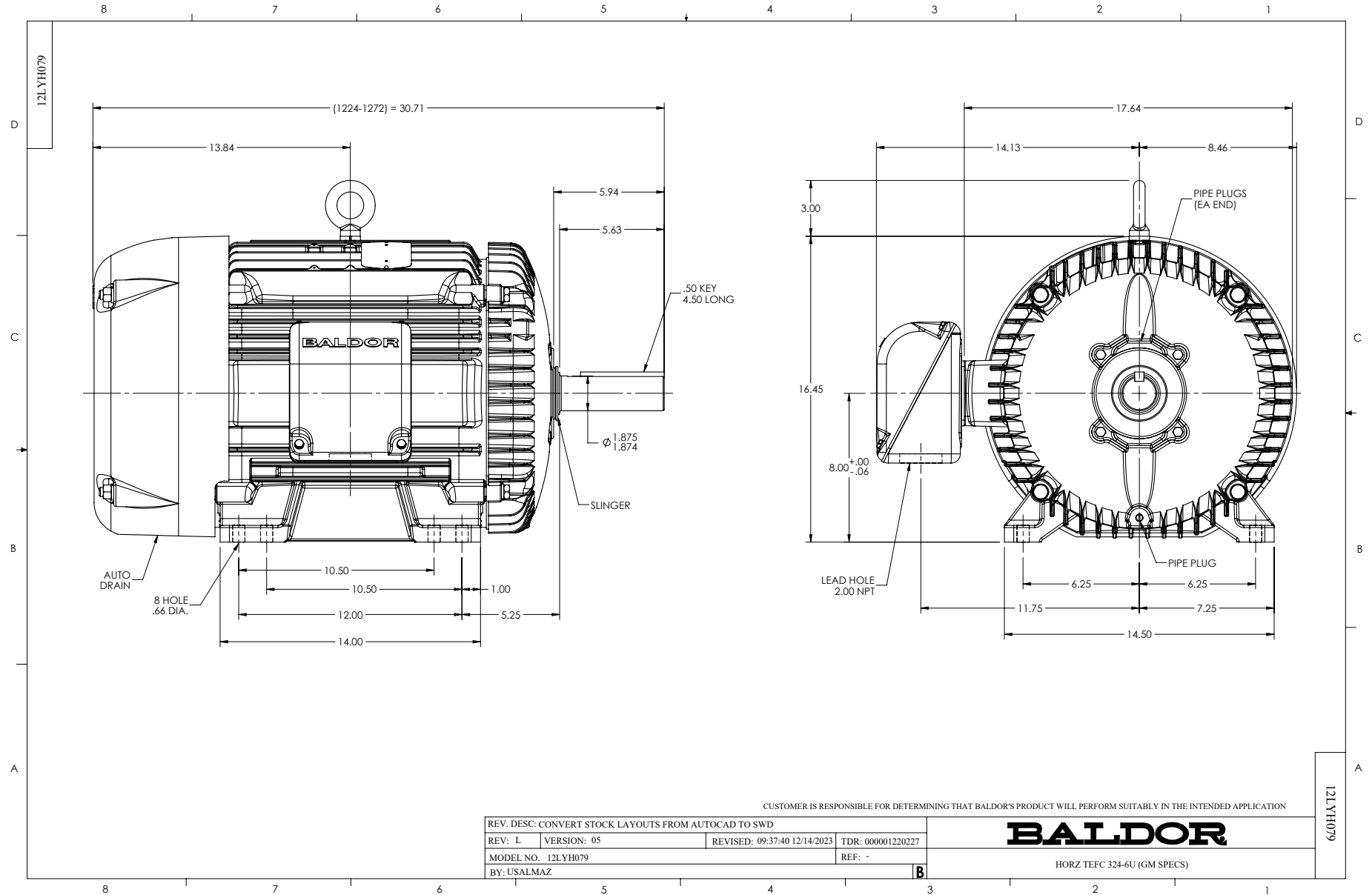
WINDING # 12WGx202

Typical performance - not guaranteed values.

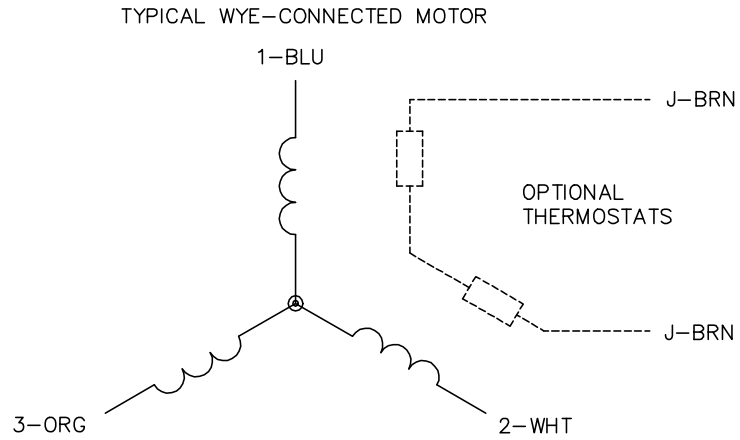
30 HP 3 PH 60 HZ 1775 RPM 460 V 1250M

TORQUES (LB-FT): PO=256 PU=104 LR=140 LRA=218





CD0006



NOTES:

1. THREE LEAD MOTOR MAY BE EITHER WYE CONNECTED OR DELTA CONNECTED.
2. INTERCHANGE ANY TWO LINE LEADS TO REVERSE ROTATION.
3. OPTIONAL THERMOSTATS ARE PROVIDED WHEN SPECIFIED.
4. ACTUAL NUMBER OF INTERNAL PARALLEL CIRCUITS MAY VARY.
5. LEAD COLORS ARE OPTIONAL. LEADS MUST BE NUMBERED AS SHOWN.

CD0006

REV. DESC: ADD CLASS CONN00000007		
REV. LTR: E	VERSION: 01	TDR: 000001099922
FILE: \AAA\00005\141	REVISED: 10:24:49 02/19/2019	BY: ENBRIRO
MTL: -		© □

**BALDOR - RELIANCE®**

3PH, SV, 3 LEADS, WYE OR DELTA CONNECTED

SH 1 of 1