



Customer information packet

AEM3683-4

1HP, 1755RPM, 3PH, 60HZ, 182, 0620M, TENV, F1, N

Class - None

Division - Not Applicable

Specifications

Enclosure	TENV
Frame	182
Frame Material	Iron
Frequency	60.00 Hz
Haz Area Class and Group	None
Haz Area Division	Not Applicable
Motor Letter Type	Three Phase
Output @ Frequency	1.000 HP @ 60 HZ
Phase	3
Synchronous Speed @ Frequency	1800 RPM @ 60 HZ
Voltage @ Frequency	460.0 V @ 60 HZ
Agency Approvals	UR CSA
Ambient Temperature	65 °C
Auxillary Box	No Auxillary Box
Auxillary Box Lead Termination	None
Base Indicator	Rigid
Bearing Grease Type	Polyrex EM (-20F +300F)
Blower	None
Current @ Voltage	1.600 A @ 460.0 V
Design Code	B
Drip Cover	No Drip Cover
Duty Rating	CONT
Efficiency @ 100% Load	85.5 %
Electrically Isolated Bearing	Not Electrically Isolated
Feedback Device	NO FEEDBACK
Front Face Code	Standard
Front Shaft Indicator	None
Heater Indicator	No Heater
High Voltage Full Load Amps	1.6 a
Insulation Class	F
Inverter Code	Inverter Ready

Part detail

Revision	G
Type	AC
Mech. spec.	06H063
Base	
Status	PRD/A
Elec. spec.	06WGX713
Layout	06LYH063
Eff. date	08-12-2022
CD Diagram	CD0006
Poles	04
Leads	3#16
Proprietary	False
Created date	02-23-2015

KVA Code	N
Lifting Lugs	Standard Lifting Lugs
Locked Bearing Indicator	No Locked Bearing
Motor Lead Exit	Ko Box
Motor Lead Quantity/Wire Size	3 @ 16 AWG
Motor Lead Termination	Flying Leads
Motor Standards	NEMA
Motor Type	0620M
Mounting Arrangement	F1
Number of Poles	4
Overall Length	13.18 IN
Power Factor	67
Product Family	Automotive (Not For DC)
Pulley End Bearing Type	Ball
Pulley Face Code	Standard
Pulley Shaft Indicator	Standard
Rodent Screen	None
Service Factor	1.00
Shaft Diameter	0.875 IN
Shaft Extension Location	Pulley End
Shaft Ground Indicator	No Shaft Grounding
Shaft Rotation	Reversible
Shaft Slinger Indicator	No Slinger
Speed	1755 rpm
Speed Code	Single Speed
Starting Method	Direct on line
Thermal Device - Bearing	None
Thermal Device - Winding	None
Vibration Sensor Indicator	No Vibration Sensor
Winding Thermal 1	None
Winding Thermal 2	None

Nameplate

NP1404									
CAT.NO.	AEM3683-4								
SPEC.	06H063X713G1								
VOLTS	460								
AMP	1.6								
RPM	1755		HP	1					
FRAME	182		HZ	60		PH	3		
SER.F.	1.00		CODE	N	DES	B	CL	F	
NEMA-NOM-EFF	85.5		PF	67					
G.MIN.EFF	82.5		CC						
RATING	65C AMB-CONT								
LUBRICATION	POLYREX EM								
DE	6206		ODE	6205					
ENCL	TENV		SER. #						

Accessories

Part number	Description	Multiplier
36-3301	C FACE KIT	A8

AC Induction Motor Performance Data

Record # 50241

Typical performance - not guaranteed values

Winding: 06WGX713-R008		Type: 0620M		Enclosure: TENV	
Nameplate Data			460 V, 60 Hz: Single Voltage Motor		
Rated Output (HP)	1	Full Load Torque	3 LB-FT		
Volts	460	Start Configuration	direct on line		
Full Load Amps	1.6	Breakdown Torque	15.7 LB-FT		
R.P.M.	1755	Pull-up Torque	8.83 LB-FT		
Hz	60 Phase	3	Locked-rotor Torque	9.9 LB-FT	
NEMA Design Code	B KVA Code	N	Starting Current	14.7 A	
Service Factor (S.F.)	1	No-load Current	1.12 A		
NEMA Nom. Eff.	85.5 Power Factor	67	Line-line Res. @ 25°C	10.3 Ω	
Rating - Duty	65C AMB-CONT		Temp. Rise @ Rated Load	14°C	
			Locked-rotor Power Factor	46.5	
			Rotor inertia	0.186 LB-FT ²	

Load Characteristics 460 V, 60 Hz, 1 HP

% of Rated Load	25	50	75	100	125	150
Power Factor	30	46	58	67	73	77
Efficiency	71	80.9	84.7	86.2	86.9	86.3
Speed	1792	1783	1776	1767	1757	1747
Line amperes	1.18	1.3	1.45	1.64	1.87	2.14

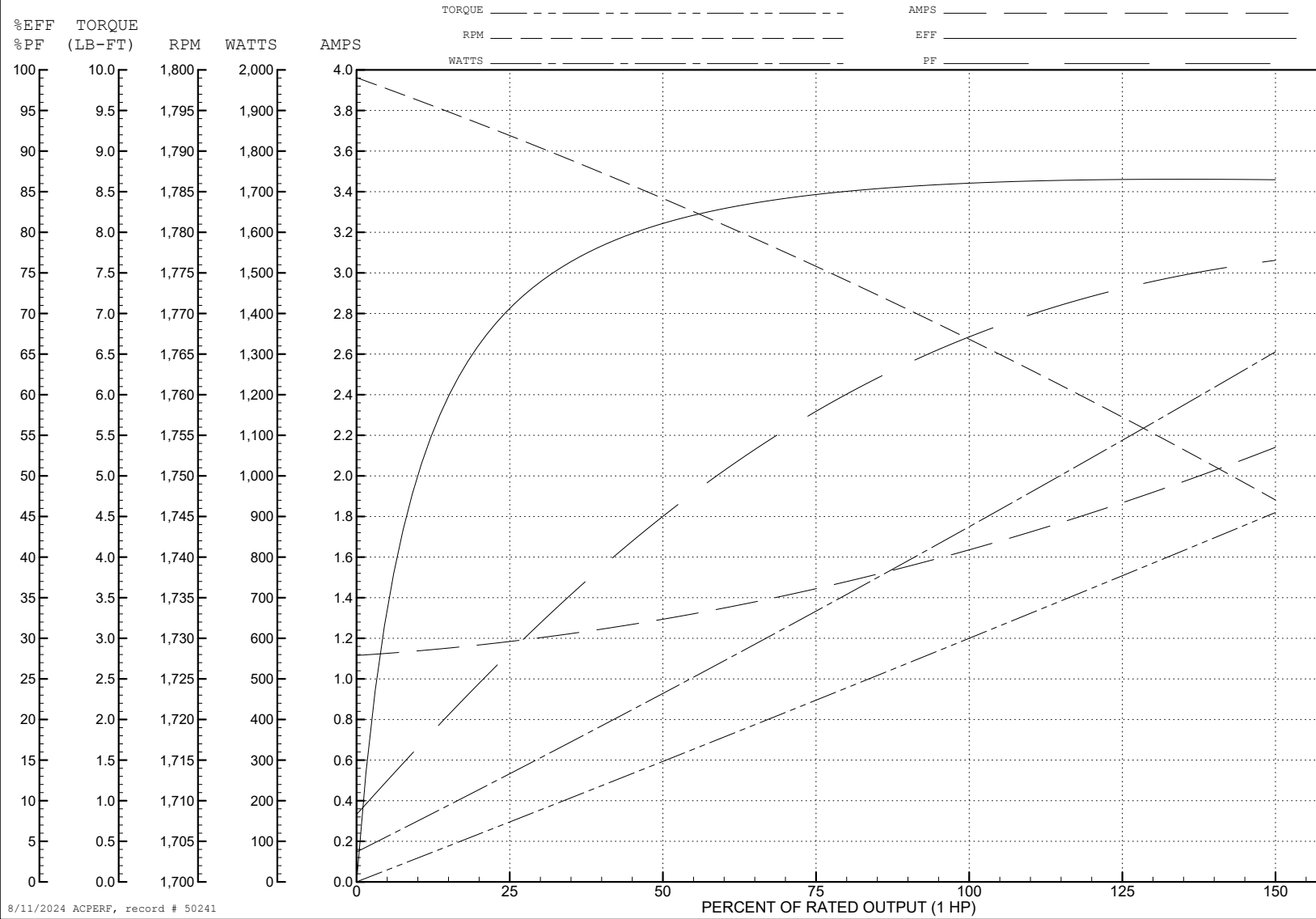
ABB Motors and Mechanical Inc.

WINDING # 06WX713

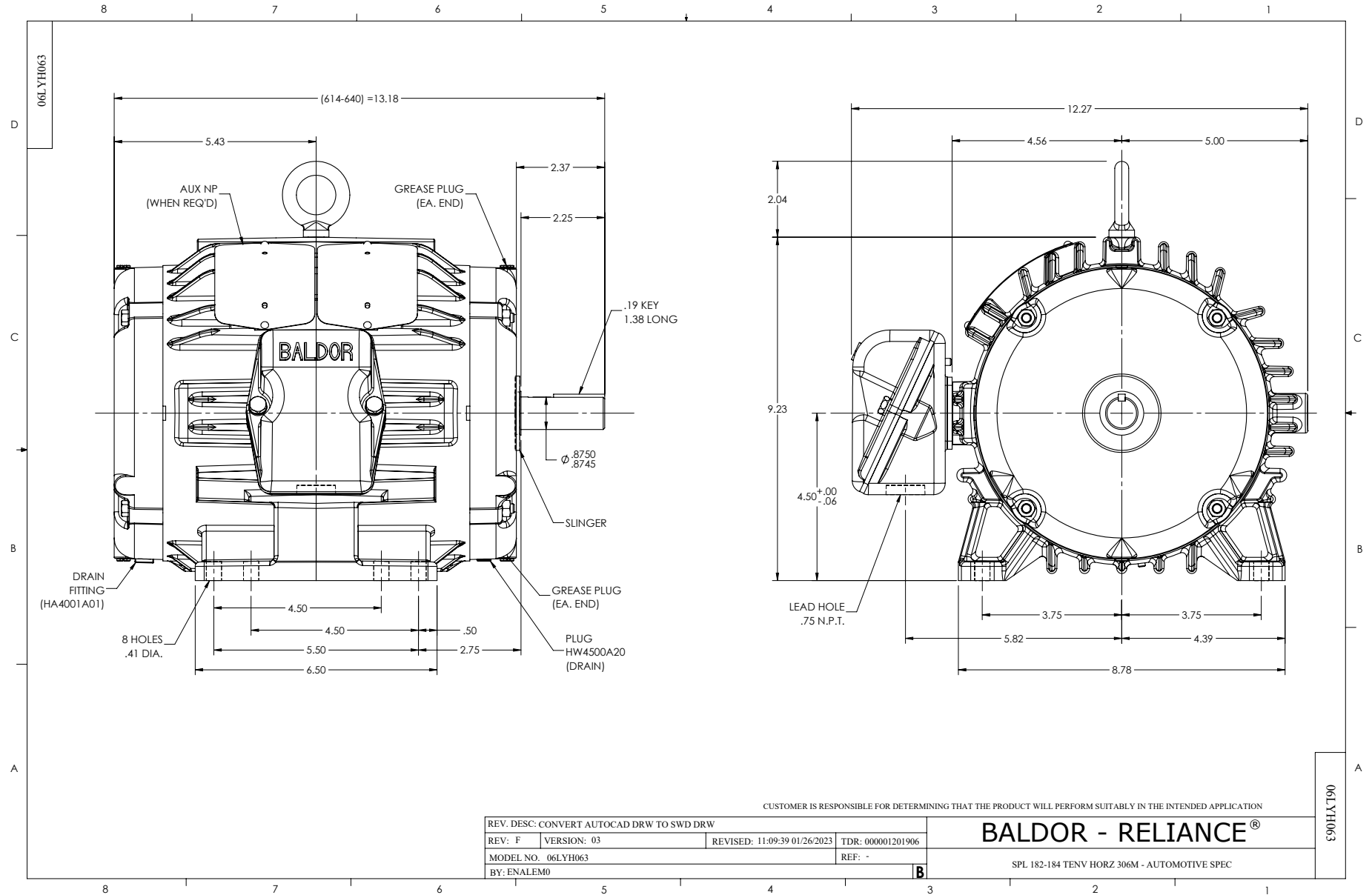
Typical performance - not guaranteed values.

1 HP 3 PH 60 HZ 1755 RPM 460 V 0620M

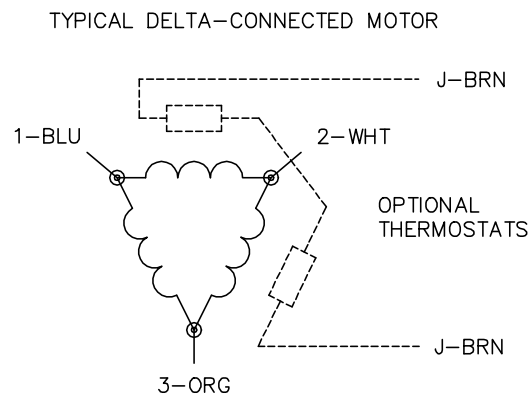
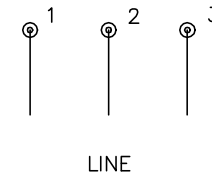
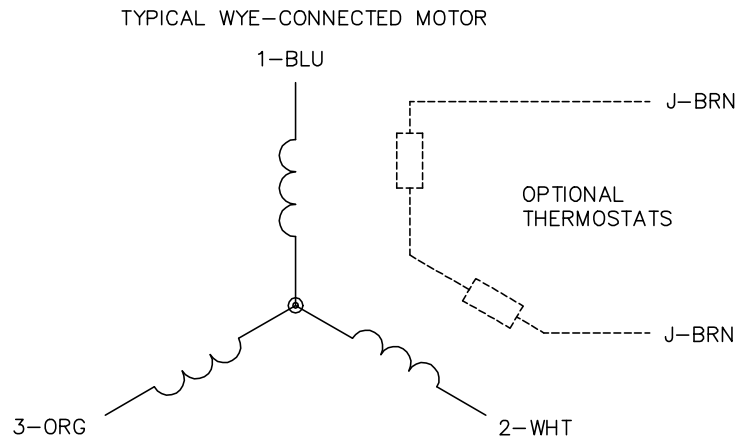
TORQUES (LB-FT): PO=15.7 PU=8.83 LR=9.9 LRA=14.7



8/11/2024 ACPERF, record # 50241



CD0006



NOTES:

1. THREE LEAD MOTOR MAY BE EITHER WYE CONNECTED OR DELTA CONNECTED.
2. INTERCHANGE ANY TWO LINE LEADS TO REVERSE ROTATION.
3. OPTIONAL THERMOSTATS ARE PROVIDED WHEN SPECIFIED.
4. ACTUAL NUMBER OF INTERNAL PARALLEL CIRCUITS MAY VARY.
5. LEAD COLORS ARE OPTIONAL. LEADS MUST BE NUMBERED AS SHOWN.

CD0006

REV. DESC: ADD CLASS CONN00000007		
REV. LTR: E	VERSION: 01	TDR: 000001099922
FILE: \AAA\00005\141	REVISED: 10:24:49 02/19/2019	BY: ENBRIRO
MTL: -	© □	

BALDOR - RELIANCE®

3PH, SV, 3 LEADS, WYE OR DELTA CONNECTED

SH 1 of 1