

BALDOR • RELIANCE

Customer information packet

8123W

.75HP, 3000/3600RPM, 3PH, 50/60HZ, 3524M

Specifications

Frequency	50.00 Hz
	60.00 Hz
Nameplate Output	.75
Number of Poles	2
Phase	3
Product Style	GRINDER
Speed	3000 rpm
	3600 rpm
Voltage	208 V
	230 V
	460 V

Part detail

Revision	AU
Type	AC
Mech. spec.	G8-166
Base	
Status	PRD/A
Elec. spec.	G8WG0013
Layout	G8LY0166
Eff. date	12-15-2021
CD Diagram	CD0005
Poles	02
Leads	9#18 12" LG Y
Proprietary	False
Created date	08-08-2007

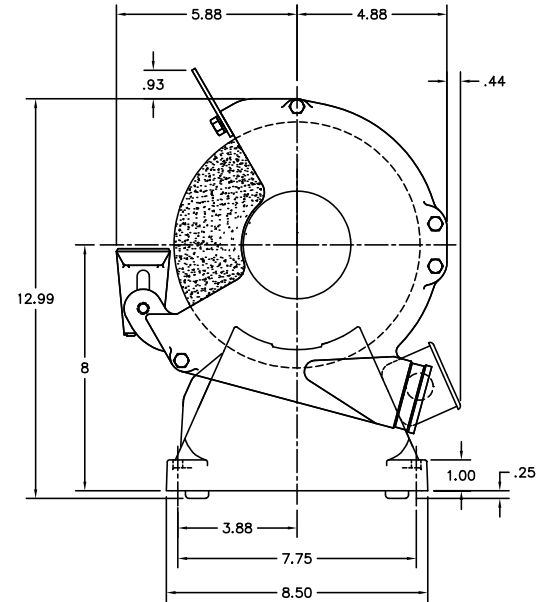
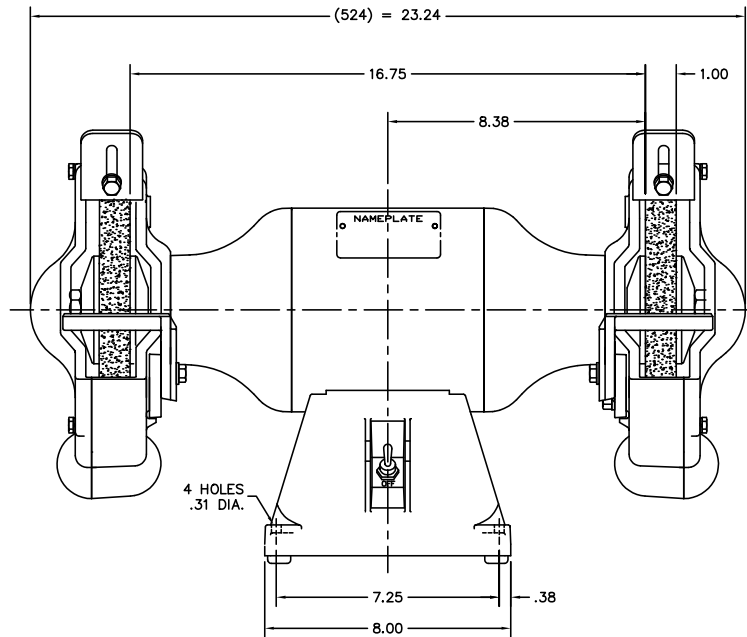
Nameplate

NP0113			
CAT.NO.	8123W		
HP	.75	VOLTS	208-230/460
PHASE	3	AMPS	1.5-1.4/.7
HZ	50//60	RPM	3000//3600
SER.NO			
SPEC.	G8-166-13		

Accessories

Part number	Description	Multiplier
GA16	PEDESTAL INDUSTRIAL, CAST IRON 6" - 10"	A8
GA14	PEDESTAL FABRICATED STEEL W/SHELVES	A8
GA20	PEDESTAL INDUSTRIAL, CAST IRON 8"-14"	A8
GA20E	PEDESTAL LIGHT INDUSTRIAL,STEEL	A8
GA24	WATER POT	A8
B80	8" 36 GRIT GRINDING WHEEL	A8
B81	8" 60 GRIT GRINDING WHEEL	A8
GA9	PAIR LIGHTED EYESHIELDS	A8
GA9-1	SINGLE LIGHTED EYESHIELD	A8
GA9S	PAIR EYESHIELDS W/ ON-OFF SWITCH	A8
GA11	PAIR EYESHIELDS	A8
DC8	DUST CONTROL UNIT	A8

GBLY0166



CUSTOMER IS RESPONSIBLE FOR DETERMINING THAT MOTOR PERFORMANCE IS SUITABLE IN THE APPLICATION.

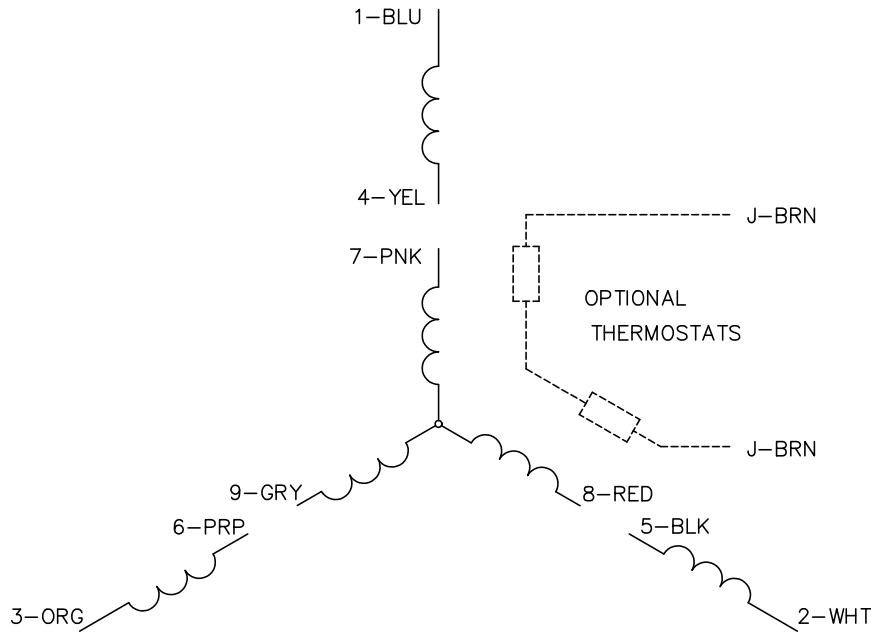
REV. DESC:	OMITTED FELT WSHR HA1025A03 & CHG'D TO SEALED BRGS
REV. LTR:	H BY: SSS REVISED: 09/29/00 12:54 TDR: 0212666
FILE:	AAA00064345 REF: -
MTL:	-

BALDOR ELECTRIC Co.

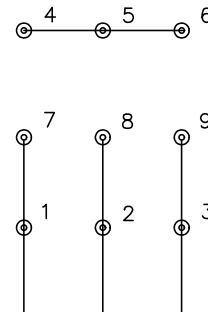
8" GRINDER TENV MODEL 524M

GBLY0166

CD0005

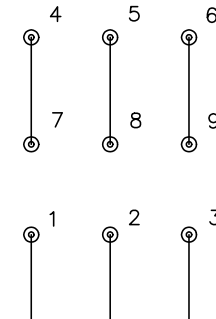


LOW VOLTAGE
(2Y)



LINE

HIGH VOLTAGE
(1Y)



LINE

NOTES:

1. INTERCHANGE ANY TWO LINE LEADS TO REVERSE ROTATION.
2. OPTIONAL THERMOSTATS ARE PROVIDED WHEN SPECIFIED.
3. ACTUAL NUMBER OF INTERNAL PARALLEL CIRCUITS MAY BE A MULTIPLE OF THOSE SHOWN ABOVE.
4. LEAD COLORS ARE OPTIONAL. LEADS MUST ALWAYS BE NUMBERED AS SHOWN.

CD0005

REV. DESC: REVISE TO SHOW OPTIONAL COLORS			
REV. LTR: E	BY: JLP	REVISED: 01/19/99 10:15	TDR: 0171435
S00000		FILE: AAA00005140	MDL: -
		MTL: -	

BALDOR ELECTRIC Co.

3PH, DV, 9 LEADS