

**BALDOR® • RELIANCE®**

---

# Customer information packet

## 8102WD

24M 4P GRNDR

**Specifications**

<b>Frequency</b>	50.00 Hz
	60.00 Hz
<b>Nameplate Output</b>	.75
<b>Number of Poles</b>	4
<b>Phase</b>	3
<b>Shaft Diameter</b>	0.750 IN
<b>Speed</b>	1500 rpm
	1800 rpm
<b>Voltage</b>	208 V
	230 V
	460 V

**Part detail**

<b>Revision</b>	-
<b>Type</b>	AC
<b>Mech. spec.</b>	G8-236
<b>Base</b>	
<b>Status</b>	PRD/A
<b>Elec. spec.</b>	G8WG0377
<b>Layout</b>	G8LY0236
<b>Eff. date</b>	10-31-2024
<b>CD Diagram</b>	CD0005
<b>Poles</b>	04
<b>Leads</b>	9#18
<b>Proprietary</b>	False
<b>Created date</b>	10-25-2024

**Nameplate**

<b>NP0113</b>			
<b>CAT.NO.</b>	8102WD		
<b>HP</b>	.75	<b>VOLTS</b>	208-230/460
<b>PHASE</b>	3	<b>AMPS</b>	3/1.5
<b>HZ</b>	50//60	<b>RPM</b>	1500//1800
<b>SER.NO</b>			
<b>SPEC.</b>	G8-236G0377		

**Accessories**

<b>Part number</b>	<b>Description</b>	<b>Multiplier</b>
GA16	PEDESTAL INDUSTRIAL, CAST IRON 6" - 10"	A8
GA14	PEDESTAL FABRICATED STEEL W/SHELVES	A8
GA20	PEDESTAL INDUSTRIAL, CAST IRON 8"-14"	A8
GA20E	PEDESTAL LIGHT INDUSTRIAL,STEEL	A8
B80	8" 36 GRIT GRINDING WHEEL	A8
B81	8" 60 GRIT GRINDING WHEEL	A8
GA9	PAIR LIGHTED EYESHIELDS	A8
GA9-1	SINGLE LIGHTED EYESHIELD	A8
GA9S	PAIR EYESHIELDS W/ ON-OFF SWITCH	A8
GA11	PAIR EYESHIELDS	A8
DC8	DUST CONTROL UNIT	A8

**AC Induction Motor Performance Data**

Record # 91058

Preliminary Data Sheet

Winding: G8WG0377-R001		Type: G824M	Enclosure: TENV	
<b>Nameplate Data</b>			<b>460 V, 50 Hz: High Voltage Connection</b>	
Rated Output (HP)	.75	Full Load Torque	2.69 LB-FT	
Volts	208-230/460	Start Configuration	direct on line	
Full Load Amps	2.75-2.9/1.45//2.48-2.4/1.2	Breakdown Torque	15.71 LB-FT	
R.P.M.	1500//1800	Pull-up Torque	12.63 LB-FT	
Hz	50//60 Phase	Locked-rotor Torque	14.64 LB-FT	
NEMA Design Code	- KVA Code	Starting Current	13.78 A	
Service Factor (S.F.)	1	No-load Current	1.3 A	
NEMA Nom. Eff.	0 Power Factor	Line-line Res. @ 25°C	24 Ω	
Rating - Duty	40C AMB-CONT	Temp. Rise @ Rated Load	77°C	
		Locked-rotor Power Factor	83.3954	
		Rotor inertia	0.173 lb-ft <sup>2</sup>	

**Load Characteristics 460 V, 50 Hz, 0.75 HP**

% of Rated Load	25	50	75	100	125	150
Power Factor	24	36	47	58	66	72
Efficiency	57.6	71.5	77.2	79	80	79.8
Speed	1489	1480	1470	1460	1449	1438
Line amperes	1.31	1.35	1.43	1.54	1.67	1.83

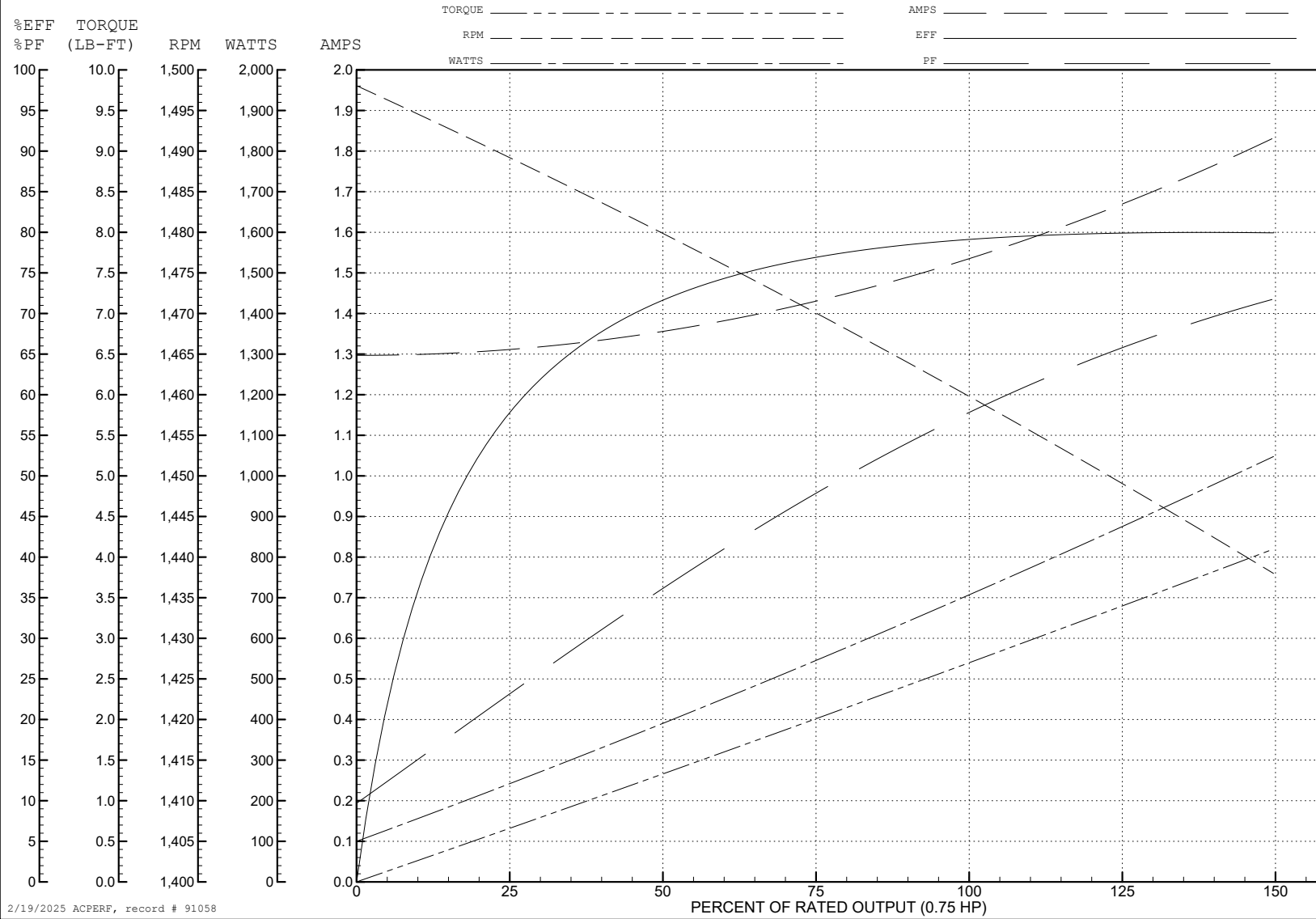
ABB Motors and Mechanical Inc.

WINDING # G8WG0377

0.75 HP 3 PH 50 HZ 1460 RPM 460 V G824M

Typical performance - not guaranteed values.

TORQUES (LB-FT): PO=15.71 PU=12.63 LR=14.64 LRA=13.78



2/19/2025 ACPERF, record # 91058

**AC Induction Motor Performance Data**

Record # 91059

Preliminary Data Sheet

Winding: G8WG0377-R001		Type: G824M	Enclosure: TENV	
<b>Nameplate Data</b>			<b>460 V, 60 Hz: High Voltage Connection</b>	
Rated Output (HP)	.75	Full Load Torque	2.25 LB-FT	
Volts	208-230/460	Start Configuration	direct on line	
Full Load Amps	2.75-2.9/1.45//2.48-2.4/1.2	Breakdown Torque	12.14 LB-FT	
R.P.M.	1500//1800	Pull-up Torque	9.18 LB-FT	
Hz	50//60 Phase	Locked-rotor Torque	10.64 LB-FT	
NEMA Design Code	- KVA Code	Starting Current	12.71 A	
Service Factor (S.F.)	1	No-load Current	0.946 A	
NEMA Nom. Eff.	0 Power Factor	Line-line Res. @ 25°C	24 Ω	
Rating - Duty	40C AMB-CONT	Temp. Rise @ Rated Load	55°C	
		Locked-rotor Power Factor	77.6342	
		Rotor inertia	0.173 lb-ft <sup>2</sup>	

**Load Characteristics 460 V, 60 Hz, 0.75 HP**

% of Rated Load	25	50	75	100	125	150
Power Factor	28	44	57	67	74	79
Efficiency	65.5	77	81.4	82.7	82.7	82
Speed	1787	1776	1765	1752	1739	1725
Line amperes	0.965	1.03	1.13	1.27	1.43	1.62

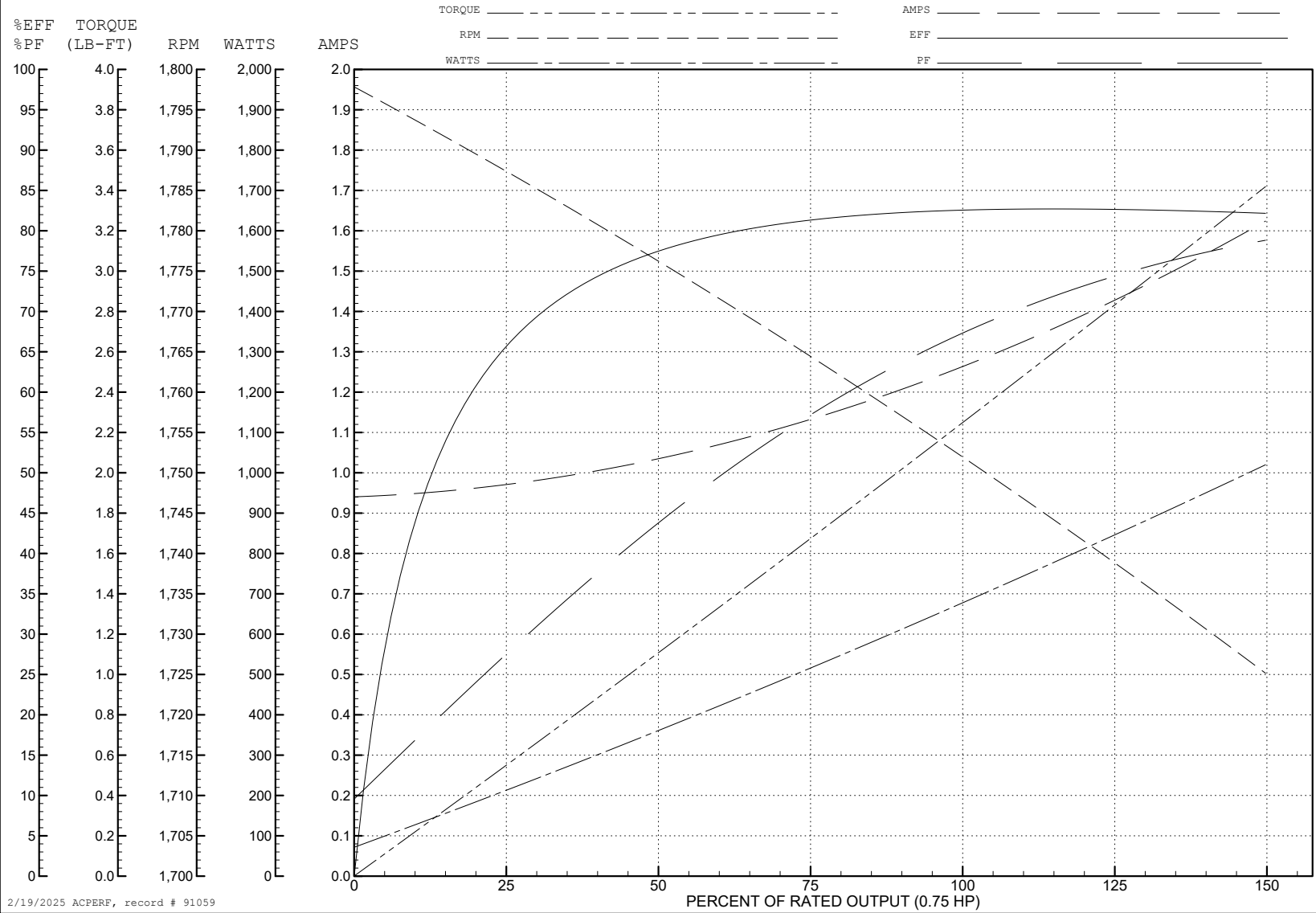
ABB Motors and Mechanical Inc.

WINDING # G8WG0377

0.75 HP 3 PH 60 HZ 1752 RPM 460 V G824M

Typical performance - not guaranteed values.

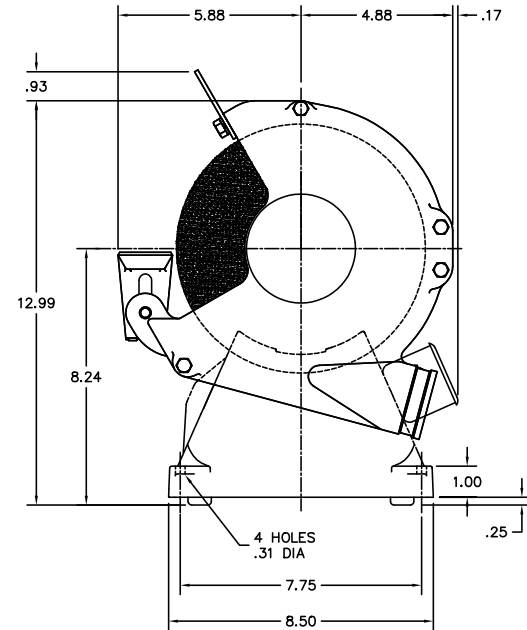
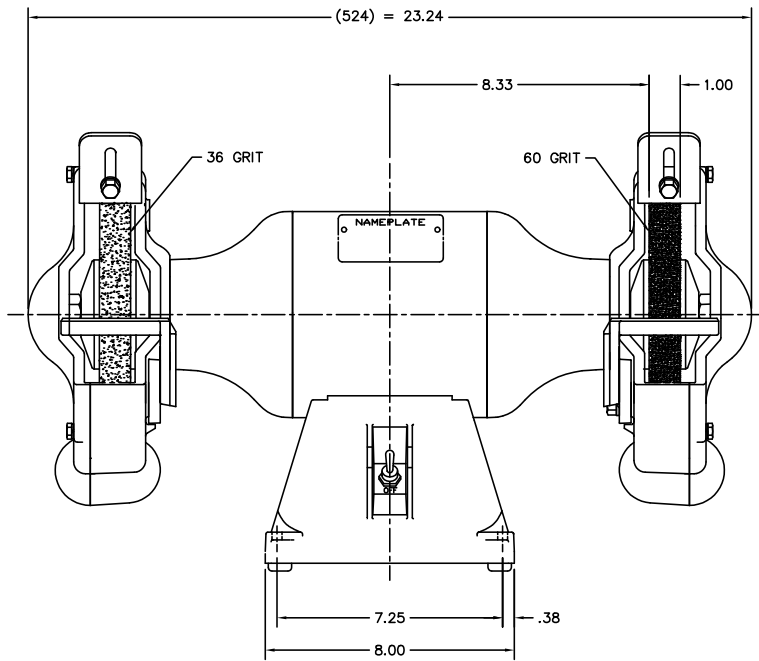
TORQUES (LB-FT): PO=12.14 PU=9.18 LR=10.64 LRA=12.71



2/19/2025 ACPERF, record # 91059



GBLY0236



CUSTOMER IS RESPONSIBLE FOR DETERMINING THAT MOTOR PERFORMANCE IS SUITABLE IN THE APPLICATION.

REV. DESC:	OMITTED FELT WSHR HA1025A03 & CHG'D TO SEALED BRGS
REV. LTR:	D BY: SSS REVISED: 09/29/00 2:38 TDR: D212666
FILE:	AAA00036170 REF: -
MTL:	-

**BALDOR ELECTRIC Co.**

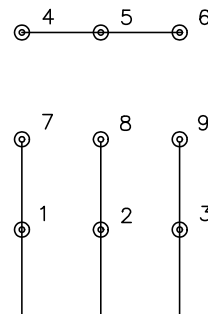
STD 8" GRINDER 524M W/EYESHIELDS, WATER POT, TOOL REST

GBLY0236

CD0005

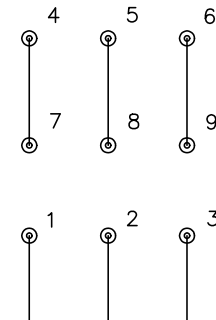


LOW VOLTAGE  
(2Y)



LINE

HIGH VOLTAGE  
(1Y)



LINE

NOTES:

1. INTERCHANGE ANY TWO LINE LEADS TO REVERSE ROTATION.
2. OPTIONAL THERMOSTATS ARE PROVIDED WHEN SPECIFIED.
3. ACTUAL NUMBER OF INTERNAL PARALLEL CIRCUITS MAY BE A MULTIPLE OF THOSE SHOWN ABOVE.
4. LEAD COLORS ARE OPTIONAL. LEADS MUST ALWAYS BE NUMBERED AS SHOWN.

CD0005

REV. DESC: REVISE TO SHOW OPTIONAL COLORS			
REV. LTR: E	BY: JLP	REVISED: 01/19/99 10:15	TDR: 0171435
S00000		FILE: AAA00005140	MDL: -
		MTL: -	

**BALDOR ELECTRIC Co.**

3PH, DV, 9 LEADS

