

**BALDOR® • RELIANCE™**

---

# Customer information packet 8100W

24C 4P GRNDR

**Specifications**

<b>Frequency</b>	60.00 Hz
<b>Nameplate Output</b>	.75
<b>Number of Poles</b>	4
<b>Phase</b>	1
<b>Product Style</b>	GRINDER
<b>Shaft Diameter</b>	0.750 IN
<b>Speed</b>	1800 rpm
<b>Voltage</b>	115 V 230 V

**Part detail**

<b>Revision</b>	AT
<b>Type</b>	AC
<b>Mech. spec.</b>	G8-165
<b>Base</b>	
<b>Status</b>	PRD/A
<b>Elec. spec.</b>	G8WG0060
<b>Layout</b>	G8LY0165
<b>Eff. date</b>	12-15-2021
<b>CD Diagram</b>	CD0279
<b>Poles</b>	04
<b>Leads</b>	4#18
<b>Proprietary</b>	False
<b>Created date</b>	01-01-0001

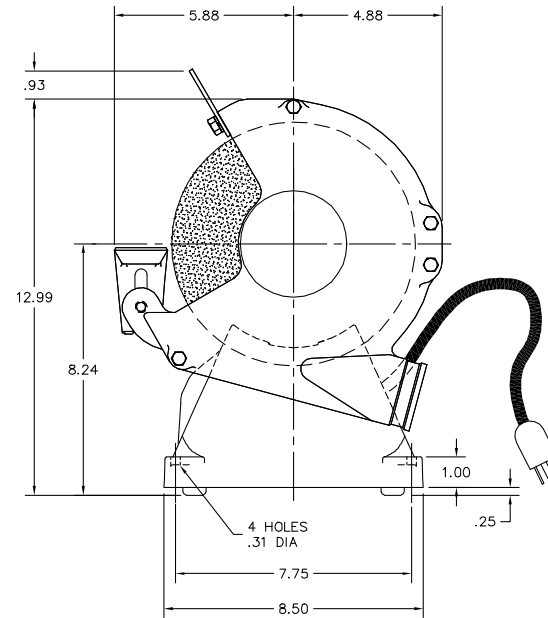
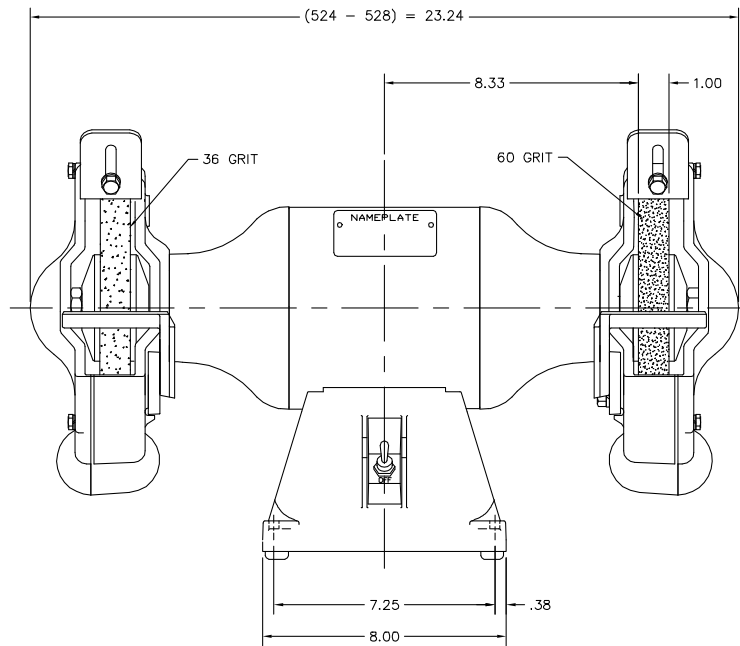
**Nameplate**

<b>NP3118</b>			
<b>CAT.NO.</b>	8100W		
<b>HP</b>	.75	<b>VOLTS</b>	115/230
<b>PHASE</b>	1	<b>AMPS</b>	4.6/2.3
<b>HZ</b>	60	<b>RPM</b>	1800
<b>SER.NO</b>			
<b>SPEC.</b>	G8-165-60		

**Accessories**

<b>Part number</b>	<b>Description</b>	<b>Multiplier</b>
GA16	PEDESTAL INDUSTRIAL, CAST IRON 6" - 10"	A8
GA14	PEDESTAL FABRICATED STEEL W/SHELVES	A8
GA20	PEDESTAL INDUSTRIAL, CAST IRON 8"-14"	A8
GA20E	PEDESTAL LIGHT INDUSTRIAL,STEEL	A8
GA24	WATER POT	A8
B80	8" 36 GRIT GRINDING WHEEL	A8
B81	8" 60 GRIT GRINDING WHEEL	A8
GA9	PAIR LIGHTED EYESHIELDS	A8
GA9-1	SINGLE LIGHTED EYESHIELD	A8
GA9S	PAIR EYESHIELDS W/ ON-OFF SWITCH	A8
GA11	PAIR EYESHIELDS	A8
DC8	DUST CONTROL UNIT	A8
BQ1-015-CP	1PH Brake, Panel 110-125 VAC, 50/60 Hz	P1
BQ2-015-CC	1PH Brake,NEMA 1 208-230 VAC,50/60Hz	
BQ2-015-CP	1PH Brake, Panel 208-230 VAC, 50/60 Hz	

G8LY0165



CUSTOMER IS RESPONSIBLE FOR DETERMINING THAT MOTOR PERFORMANCE IS SUITABLE IN THE APPLICATION.

REV. DESC: ADDED 428 STACK		
REV. LTR: N	VERSION: 01	TDR: 000000437696
FILE: \AAA\00036\158	REVISED: 17:28:13 07/16/2007	BY: ENMARW1
MTL: -		

**Baldor • Dodge • Reliance**

STD 8" GRINDER MODEL 524C W/115V. CORD/PLUG

G8LY0165

