

BALDOR • RELIANCE

Customer information packet

762RE

.5HP, 3600RPM, 1PH, 60HZ, 3420C, GRND

Specifications

Frequency	60.00 Hz
Nameplate Output	.5
Number of Poles	2
Phase	1
Product Style	GRINDER
Speed	3600 rpm
Voltage	115 V

Part detail

Revision	BD
Type	AC
Mech. spec.	G7-304
Base	
Status	PRD/A
Elec. spec.	G7WG0030
Layout	G7LY0304
Eff. date	06-23-2023
CD Diagram	CD0121
Poles	02
Leads	4#18
Proprietary	False
Created date	01-01-0001

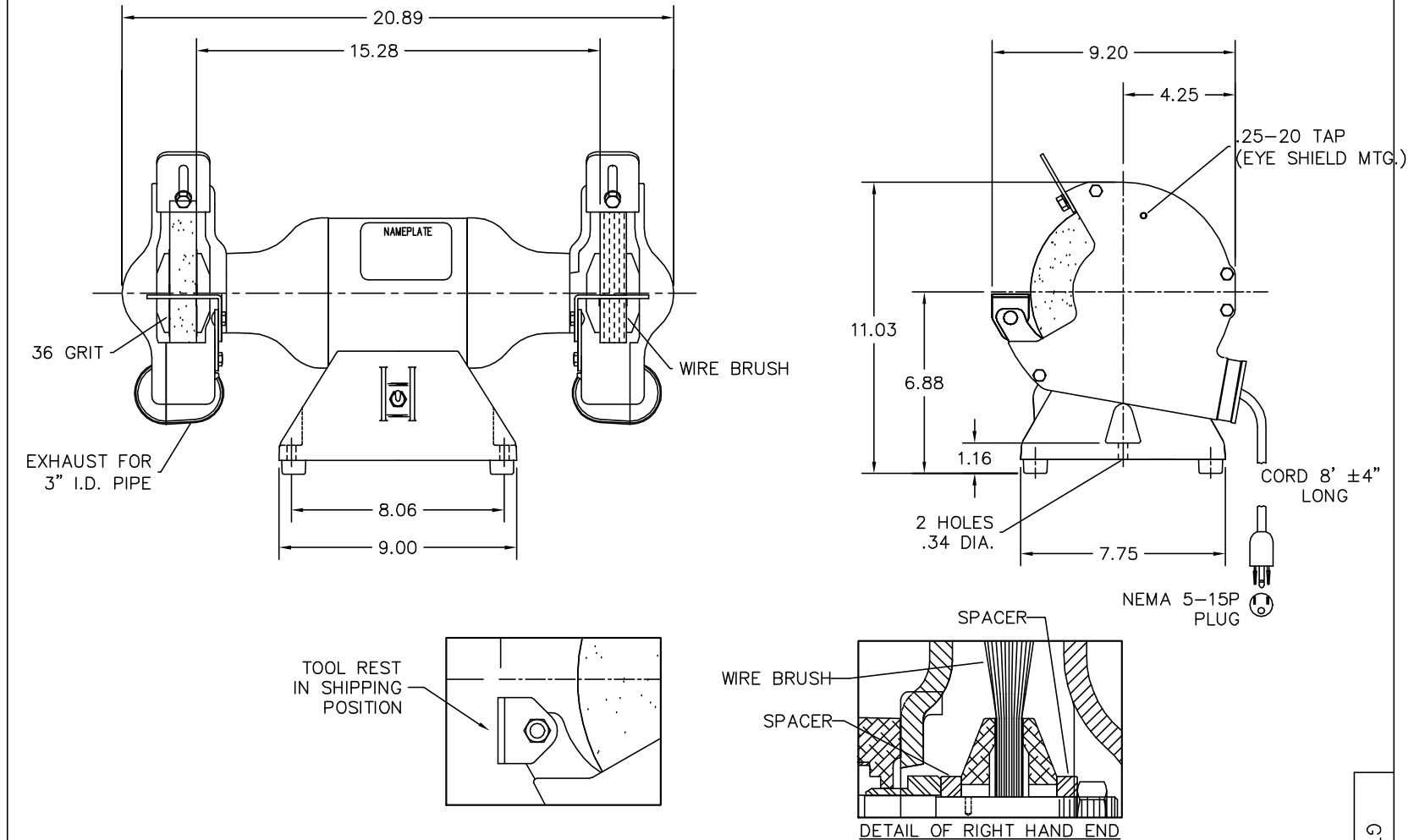
Nameplate

NP0235			
CAT.NO.	762RE		
HP	.5	VOLTS	115
PHASE	1	AMPS	3.4
HZ	60	RPM	3600
SER.NO			
SPEC.	G7-304-30		

Accessories

Part number	Description	Multiplier
GA16RE	PEDESTAL LIGHT INDUSTRIAL,STEEL-RED	A8
GA14R	PEDESTAL FABRICATED STEEL W/SHELVES-RED	A8
GA16R	PEDESTAL IND., CAST IRON 6" - 10" RED	A8
B73	7" 36 GRIT GRINDING WHEEL	A8
B74	7" 60 GRIT GRINDING WHEEL	A8
W70	W70 WIRE BRUSH WHEEL	A8
GA9R	PAIR LIGHTED EYESHIELDS-RED	A8
GA9SR	PAIR LIGHTED EYESHIELD W/ON-OFF-RED	A8
BQ1-015-CC	1PH Brake, NEMA 1,110-125 VAC, 50/60Hz	
BQ1-015-CP	1PH Brake, Panel 110-125 VAC, 50/60 Hz	P1

G7LY0304



CUSTOMER IS RESPONSIBLE FOR DETERMINING THAT MOTOR PERFORMANCE IS SUITABLE IN THE APPLICATION.

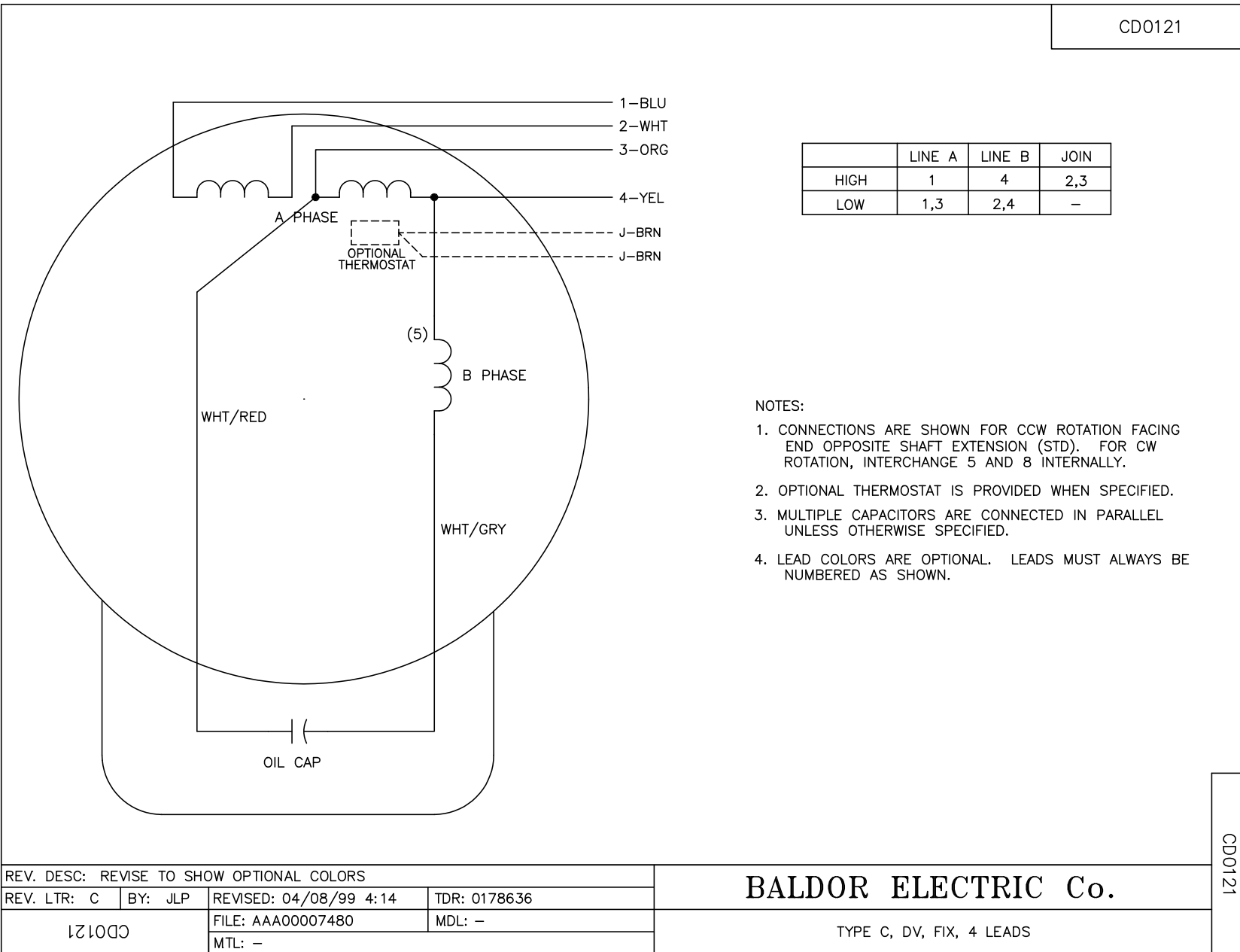
REV. DESC: ADDED TOOL REST SHIPPING POSITION VIEW			
REV. LTR: G	BY: YTD	REVISED: 08:31:33 07/23/2002	TDR: 256297
7020A77G		FILE: AAA00042487	REF: G7LY0304
		MTL: -	

BALDOR ELECTRIC Co.

STD. 7" UTILITY GRINDER-BUFFER MODEL 34C 115V

G7LY0304

CD0121



	LINE A	LINE B	JOIN
HIGH	1	4	2,3
LOW	1,3	2,4	-

- NOTES:
1. CONNECTIONS ARE SHOWN FOR CCW ROTATION FACING END OPPOSITE SHAFT EXTENSION (STD). FOR CW ROTATION, INTERCHANGE 5 AND 8 INTERNALLY.
 2. OPTIONAL THERMOSTAT IS PROVIDED WHEN SPECIFIED.
 3. MULTIPLE CAPACITORS ARE CONNECTED IN PARALLEL UNLESS OTHERWISE SPECIFIED.
 4. LEAD COLORS ARE OPTIONAL. LEADS MUST ALWAYS BE NUMBERED AS SHOWN.

CD0121

REV. DESC: REVISE TO SHOW OPTIONAL COLORS			
REV. LTR: C	BY: JLP	REVISED: 04/08/99 4:14	TDR: 0178636
CD0121		FILE: AAA00007480	MDL: -
		MTL: -	

BALDOR ELECTRIC Co.

TYPE C, DV, FIX, 4 LEADS