

BALDOR • RELIANCE

Customer information packet

762E

.5HP, 3600RPM, 1PH, 60HZ, 3420C, GRND

Specifications

Frequency	60.00 Hz
Nameplate Output	.5
Number of Poles	2
Phase	1
Product Style	GRINDER
Speed	3600 rpm
Voltage	115 V

Part detail

Revision	BB
Type	AC
Mech. spec.	G7-303
Base	
Status	PRD/A
Elec. spec.	G7WG0030
Layout	G7LY0303
Eff. date	06-23-2023
CD Diagram	CD0121
Poles	02
Leads	4#18
Proprietary	False
Created date	01-01-0001

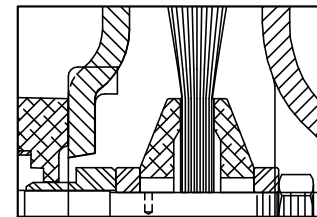
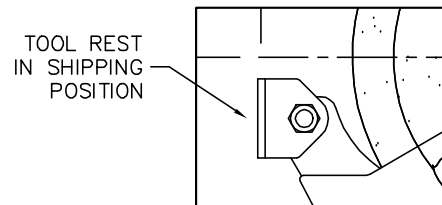
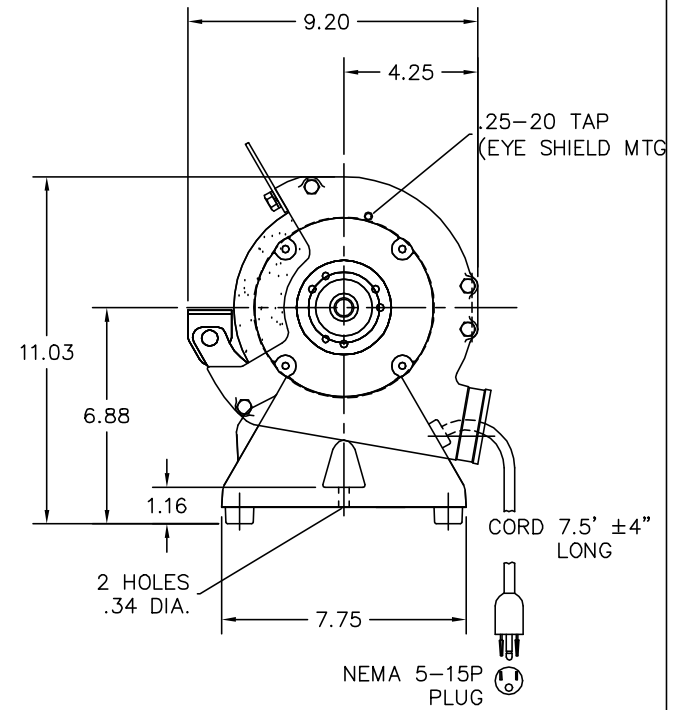
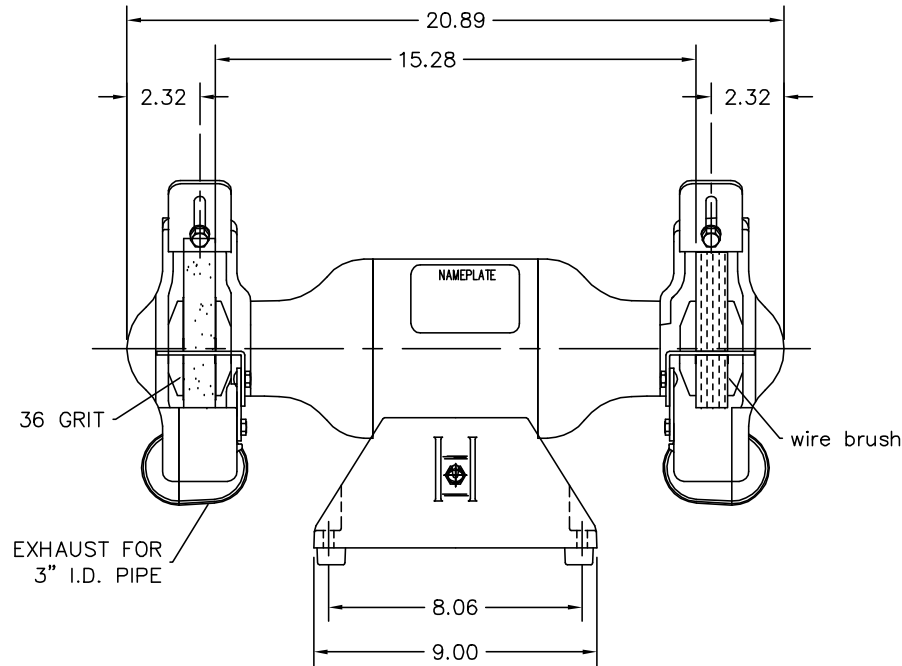
Nameplate

NP0113			
CAT.NO.	762E		
HP	.5	VOLTS	115
PHASE	1	AMPS	3.4
HZ	60	RPM	3600
SER.NO			
SPEC.	G7-303-30		

Accessories

Part number	Description	Multiplier
GA16E	PEDESTAL LIGHT INDUSTRIAL,STEEL	A8
GA16	PEDESTAL INDUSTRIAL, CAST IRON 6" - 10"	A8
GA14	PEDESTAL FABRICATED STEEL W/SHELVES	A8
GA9	PAIR LIGHTED EYESHIELDS	A8
GA9-1	SINGLE LIGHTED EYESHIELD	A8
GA9S	PAIR EYESHIELDS W/ ON-OFF SWITCH	A8
GA11	PAIR EYESHIELDS	A8
GA24	WATER POT	A8
B73	7" 36 GRIT GRINDING WHEEL	A8
B74	7" 60 GRIT GRINDING WHEEL	A8
BQ1-015-CC	1PH Brake, NEMA 1,110-125 VAC, 50/60Hz	
BQ1-015-CP	1PH Brake, Panel 110-125 VAC, 50/60 Hz	
DC7	DUST CONTROL UNIT	A8

G7LY0303



CUSTOMER IS RESPONSIBLE FOR DETERMINING THAT BALDOR'S PRODUCT WILL PERFORM SUITABLY IN THE INTENDED APPLICATION.

REV. DESC: CHG CORD LENGTH TO 7.5' +/-4"		
REV. LTR: J	VERSION: 01	TDR: 000001023772
FILE: \AAA\00102\169	REVISED: 03:03:55 04/11/2017	BY: USGRHUR
MTL: -		

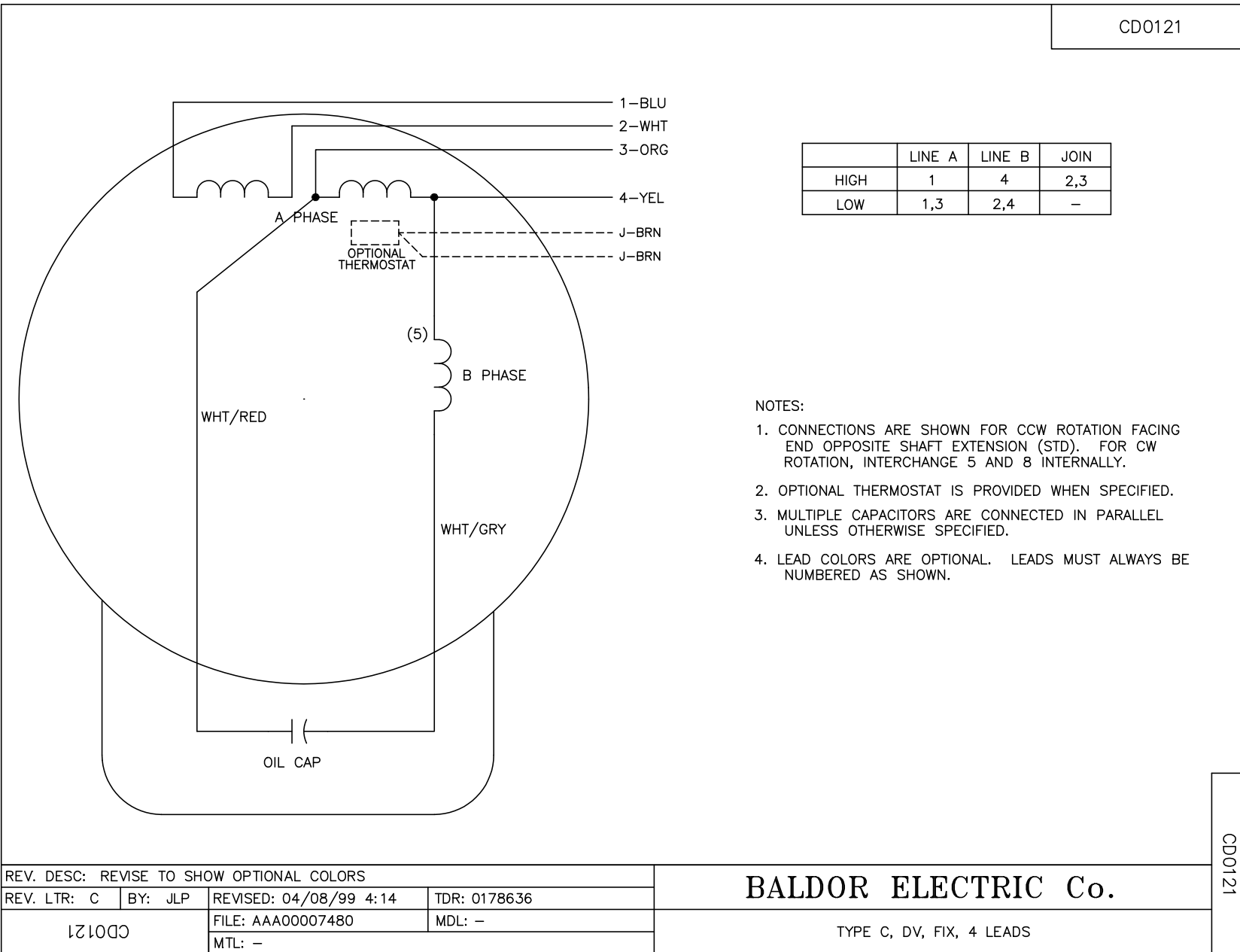
BALDOR

STD. 7" UTILITY GRINDER-BUFFER MODEL 34C 115V

SH 1 of 1

G7LY0303

CD0121



CD0121

REV. DESC: REVISE TO SHOW OPTIONAL COLORS			
REV. LTR: C	BY: JLP	REVISED: 04/08/99 4:14	TDR: 0178636
CD0121		FILE: AAA00007480	MDL: -
		MTL: -	

BALDOR ELECTRIC Co.

TYPE C, DV, FIX, 4 LEADS