

# ABB BALDOR RELIANCE III

---

## Customer information packet 762

.5HP, 3600RPM, 1PH, 60HZ, 3420C, GRND

**Specifications**

|                                      |                             |
|--------------------------------------|-----------------------------|
| <b>Enclosure</b>                     | GRND                        |
| <b>Frame Material</b>                | Steel                       |
| <b>Frequency</b>                     | 60.00 Hz<br>60.00 Hz        |
| <b>Motor Letter Type</b>             | Oil Capacitor Start and Run |
| <b>Nameplate Output</b>              | .5                          |
| <b>Number of Poles</b>               | 2<br>2                      |
| <b>Output @ Frequency</b>            | .500 HP @ 60 HZ             |
| <b>Phase</b>                         | 1<br>1                      |
| <b>Product Style</b>                 | GRINDER                     |
| <b>Speed</b>                         | 3600 rpm<br>3600 rpm        |
| <b>Synchronous Speed @ Frequency</b> | 3600 RPM @ 60 HZ            |
| <b>Voltage</b>                       | 115 V                       |
| <b>Voltage @ Frequency</b>           | 115.0 V @ 60 HZ             |
| <b>Agency Approvals</b>              | CSA<br>UL                   |
| <b>Ambient Temperature</b>           | 40 °C                       |
| <b>Base Indicator</b>                | Rigid                       |
| <b>Bearing Grease Type</b>           | Polyrex EM (-20F +300F)     |
| <b>Current @ Voltage</b>             | 3.400 A @ 115.0 V           |
| <b>Duty Rating</b>                   | CONT                        |
| <b>Feedback Device</b>               | NO FEEDBACK                 |
| <b>Heater Indicator</b>              | No Heater                   |
| <b>Insulation Class</b>              | B                           |
| <b>KVA Code</b>                      | -                           |
| <b>Motor Lead Quantity/Wire Size</b> | 4 @ 18 AWG                  |
| <b>Motor Standards</b>               | Other                       |
| <b>Motor Type</b>                    | 3420C                       |
| <b>Mounting Arrangement</b>          | F1                          |

**Part Detail**

|                     |            |
|---------------------|------------|
| <b>Revision</b>     | BD         |
| <b>Type</b>         | AC         |
| <b>Mech. spec.</b>  | G7-372     |
| <b>Base</b>         |            |
| <b>Status</b>       | PRD/A      |
| <b>Elec. spec.</b>  | G7WG0030   |
| <b>Layout</b>       | G7LY0372   |
| <b>Eff. date</b>    | 06-23-2023 |
| <b>CD Diagram</b>   | CD0279     |
| <b>Poles</b>        | 02         |
| <b>Leads</b>        | 4#18       |
| <b>Proprietary</b>  | False      |
| <b>Created date</b> | 01-01-0001 |

|                                 |                         |
|---------------------------------|-------------------------|
| <b>Overall Length</b>           | 20.07 IN                |
| <b>Product Family</b>           | Grinder                 |
| <b>Service Factor</b>           | 1.00                    |
| <b>Shaft Extension Location</b> | Double Shaft            |
| <b>Shaft Rotation</b>           | Fixed Opposite Standard |
| <b>Shaft Slinger Indicator</b>  | No Slinger              |
| <b>Speed Code</b>               | Single Speed            |
| <b>Starting Method</b>          | Direct on line          |
| <b>Thermal Device - Winding</b> | None                    |

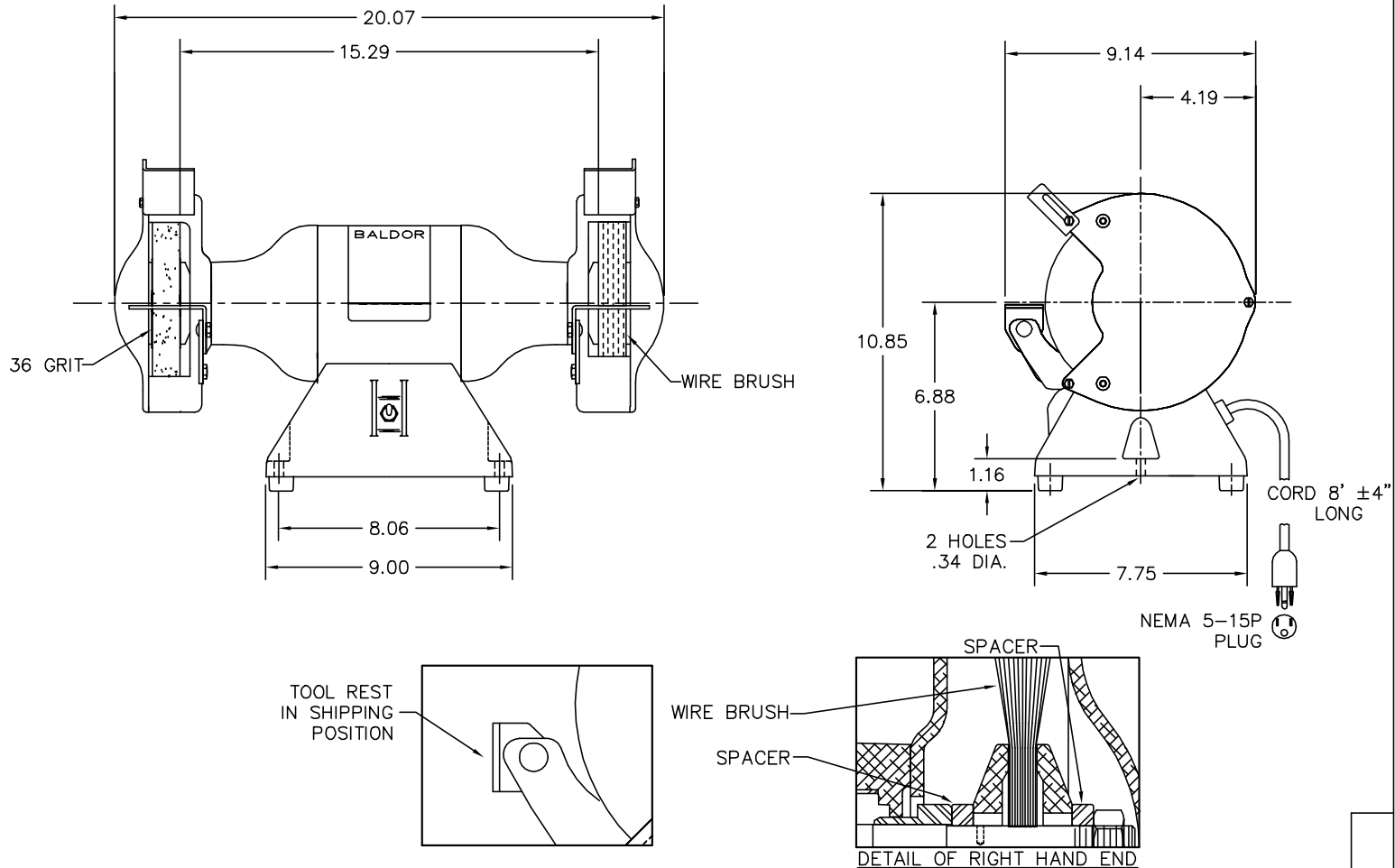
**Nameplate**

| <b>NP0113</b>  |           |              |      |
|----------------|-----------|--------------|------|
| <b>CAT.NO.</b> | 762       |              |      |
| <b>HP</b>      | .5        | <b>VOLTS</b> | 115  |
| <b>PHASE</b>   | 1         | <b>AMPS</b>  | 3.4  |
| <b>HZ</b>      | 60        | <b>RPM</b>   | 3600 |
| <b>SER.NO</b>  |           |              |      |
| <b>SPEC.</b>   | G7-372-30 |              |      |

**Accessories**

| <b>Part number</b> | <b>Description</b>                      | <b>Multiplier</b> |
|--------------------|-----------------------------------------|-------------------|
| GA16E              | PEDESTAL LIGHT INDUSTRIAL,STEEL         | A8                |
| GA16               | PEDESTAL INDUSTRIAL, CAST IRON 6" - 10" | A8                |
| GA14               | PEDESTAL FABRICATED STEEL W/SHELVES     | A8                |
| B73                | 7" 36 GRIT GRINDING WHEEL               | A8                |
| B74                | 7" 60 GRIT GRINDING WHEEL               | A8                |
| W70                | W70 WIRE BRUSH WHEEL                    | A8                |
| GA9                | PAIR LIGHTED EYESHIELDS                 | A8                |
| GA9-1              | SINGLE LIGHTED EYESHIELD                | A8                |
| GA9S               | PAIR EYESHIELDS W/ ON-OFF SWITCH        | A8                |
| GA11               | PAIR EYESHIELDS                         | A8                |

G7LY0372



CUSTOMER IS RESPONSIBLE FOR DETERMINING THAT MOTOR PERFORMANCE IS SUITABLE IN THE APPLICATION.

|                                     |         |                              |             |
|-------------------------------------|---------|------------------------------|-------------|
| REV. DESC: CHG G7SB0001 TO G7SB0014 |         |                              |             |
| REV. LTR: E                         | BY: MAW | REVISED: 11:19:30 03/07/2003 | TDR: 296685 |
| FILE: AAA00100741                   |         | REF: G7LY0372                |             |
| MTL:                                |         |                              |             |

**BALDOR ELECTRIC Co.**

B/ 7" UTILITY GRINDER -NON-EXHAUST MODEL 34C 115 VOLTS

G7LY0372

