

ABB BALDOR RELIANCE III

Customer information packet 7351

.5HP, 3600RPM, 1PH, 60HZ, 3420C, GRND

Specifications

Enclosure	GRND
Frame Material	Steel
Frequency	60.00 Hz 60.00 Hz
Motor Letter Type	Oil Capacitor Start and Run
Nameplate Output	.5
Number of Poles	2 2
Output @ Frequency	.500 HP @ 60 HZ
Phase	1 1
Product Style	GRINDER
Speed	3600 rpm 3600 rpm
Synchronous Speed @ Frequency	3600 RPM @ 60 HZ
Voltage	115 V 230 V
Voltage @ Frequency	230.0 V @ 60 HZ 115.0 V @ 60 HZ
Agency Approvals	CSA
Ambient Temperature	40 °C
Base Indicator	Rigid
Bearing Grease Type	Polyrex EM (-20F +300F)
Current @ Voltage	1.700 A @ 230.0 V 3.400 A @ 115.0 V
Duty Rating	CONT
Feedback Device	NO FEEDBACK
Heater Indicator	No Heater
Insulation Class	B
KVA Code	-
Motor Lead Quantity/Wire Size	4 @ 18 AWG
Motor Standards	Other

Part Detail

Revision	AW
Type	AC
Mech. spec.	G7-309
Base	
Status	PRD/A
Elec. spec.	G7WG0030
Layout	G7LY0309
Eff. date	06-23-2023
CD Diagram	CD0121
Poles	02
Leads	4#18
Proprietary	False
Created date	01-01-0001

Motor Type	3420C
Mounting Arrangement	F1
Overall Length	20.89 IN
Product Family	Grinder
Service Factor	1.00
Shaft Extension Location	Double Shaft
Shaft Rotation	Fixed Opposite Standard
Shaft Slinger Indicator	No Slinger
Speed Code	Single Speed
Starting Method	Direct on line
Thermal Device - Winding	None

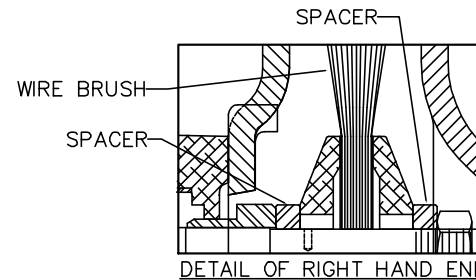
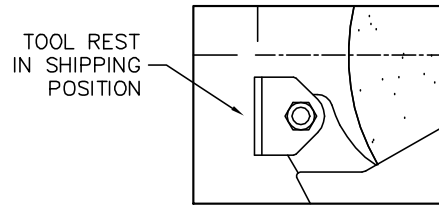
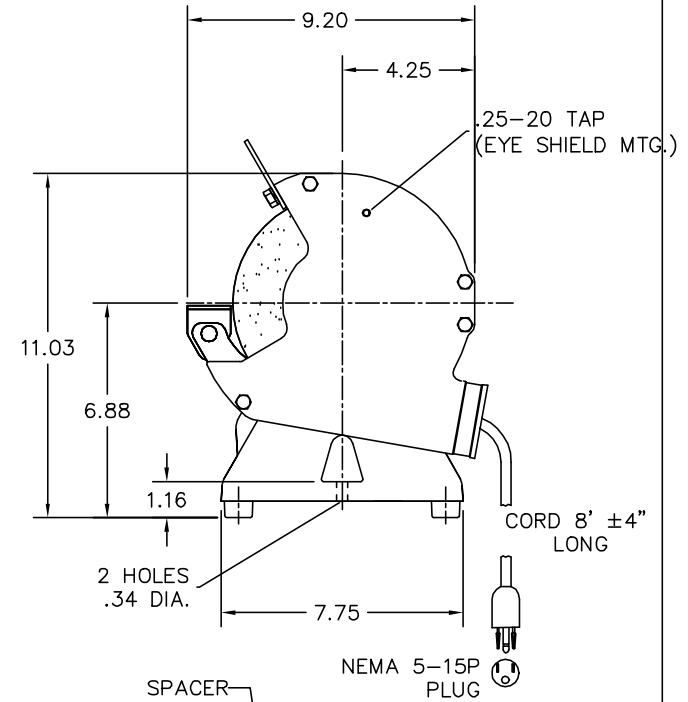
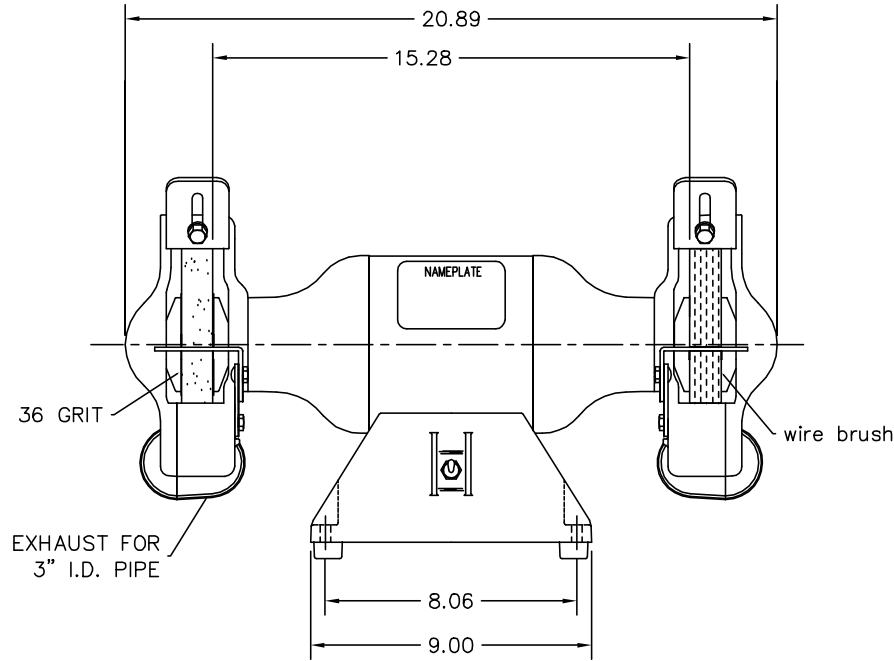
Nameplate

NP0113			
CAT.NO.	7351		
HP	.5	VOLTS	115/230
PHASE	1	AMPS	3.4/1.7
HZ	60	RPM	3600
SER.NO			
SPEC.	G7-309-30		

Accessories

Part number	Description	Multiplier
GA16E	PEDESTAL LIGHT INDUSTRIAL,STEEL	A8
GA16	PEDESTAL INDUSTRIAL, CAST IRON 6" - 10"	A8
GA14	PEDESTAL FABRICATED STEEL W/SHELVES	A8
GA9	PAIR LIGHTED EYESHIELDS	A8
GA9-1	SINGLE LIGHTED EYESHIELD	A8
GA9S	PAIR EYESHIELDS W/ ON-OFF SWITCH	A8
GA11	PAIR EYESHIELDS	A8
GA24	WATER POT	A8
B73	7" 36 GRIT GRINDING WHEEL	A8
B74	7" 60 GRIT GRINDING WHEEL	A8
BQ1-015-CC	1PH Brake, NEMA 1,110-125 VAC, 50/60Hz	P1
BQ1-015-CP	1PH Brake, Panel 110-125 VAC, 50/60 Hz	
DC7	DUST CONTROL UNIT	A8

G7LY0309



CUSTOMER IS RESPONSIBLE FOR DETERMINING THAT MOTOR PERFORMANCE IS SUITABLE IN THE APPLICATION.

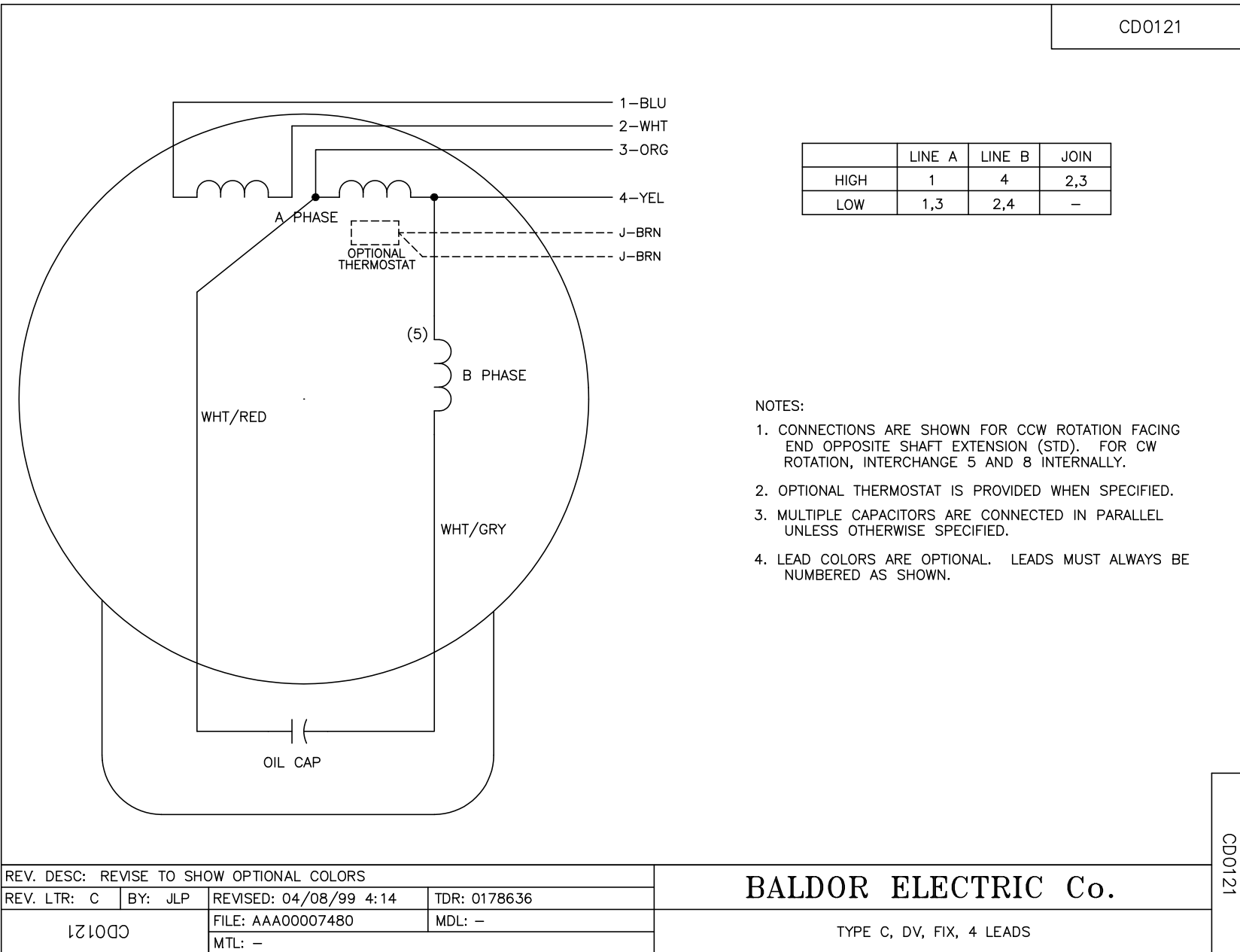
REV. DESC: LOADED TO ACAD, ADDED SHIPPING POSITION			
REV. LTR: F	BY: JAD	REVISED: 09:47:07 01/24/2003	TDR: 256297
6020A7L9		FILE: AAA00102178	REF: G7LY0309
		MTL: -	

BALDOR ELECTRIC Co.

STD. 7" DELUXE GRINDER-BUFFER TYPE C 115V

G7LY0309

CD0121



	LINE A	LINE B	JOIN
HIGH	1	4	2,3
LOW	1,3	2,4	-

- NOTES:
1. CONNECTIONS ARE SHOWN FOR CCW ROTATION FACING END OPPOSITE SHAFT EXTENSION (STD). FOR CW ROTATION, INTERCHANGE 5 AND 8 INTERNALLY.
 2. OPTIONAL THERMOSTAT IS PROVIDED WHEN SPECIFIED.
 3. MULTIPLE CAPACITORS ARE CONNECTED IN PARALLEL UNLESS OTHERWISE SPECIFIED.
 4. LEAD COLORS ARE OPTIONAL. LEADS MUST ALWAYS BE NUMBERED AS SHOWN.

CD0121

REV. DESC: REVISE TO SHOW OPTIONAL COLORS			
REV. LTR: C	BY: JLP	REVISED: 04/08/99 4:14	TDR: 0178636
CD0121		FILE: AAA00007480	MDL: -
		MTL: -	

BALDOR ELECTRIC Co.

TYPE C, DV, FIX, 4 LEADS