

**BALDOR • RELIANCE**

---

# Customer information packet 7309

.5HP, 3000/3600RPM, 3PH, 50/60HZ, 3420M, GRND

**Specifications**

<b>Frequency</b>	50.00 Hz
	60.00 Hz
<b>Nameplate Output</b>	.5
<b>Number of Poles</b>	2
<b>Phase</b>	3
<b>Product Style</b>	GRINDER
<b>Speed</b>	3000 rpm
	3600 rpm
<b>Voltage</b>	208 V
	230 V
	460 V

**Part detail**

<b>Revision</b>	AQ
<b>Type</b>	AC
<b>Mech. spec.</b>	G7-0311
<b>Base</b>	
<b>Status</b>	PRD/A
<b>Elec. spec.</b>	G7WG0044
<b>Layout</b>	G7LY0311
<b>Eff. date</b>	06-23-2023
<b>CD Diagram</b>	CD0005
<b>Poles</b>	02
<b>Leads</b>	9#18 SEE NOTES Y
<b>Proprietary</b>	False
<b>Created date</b>	01-01-0001

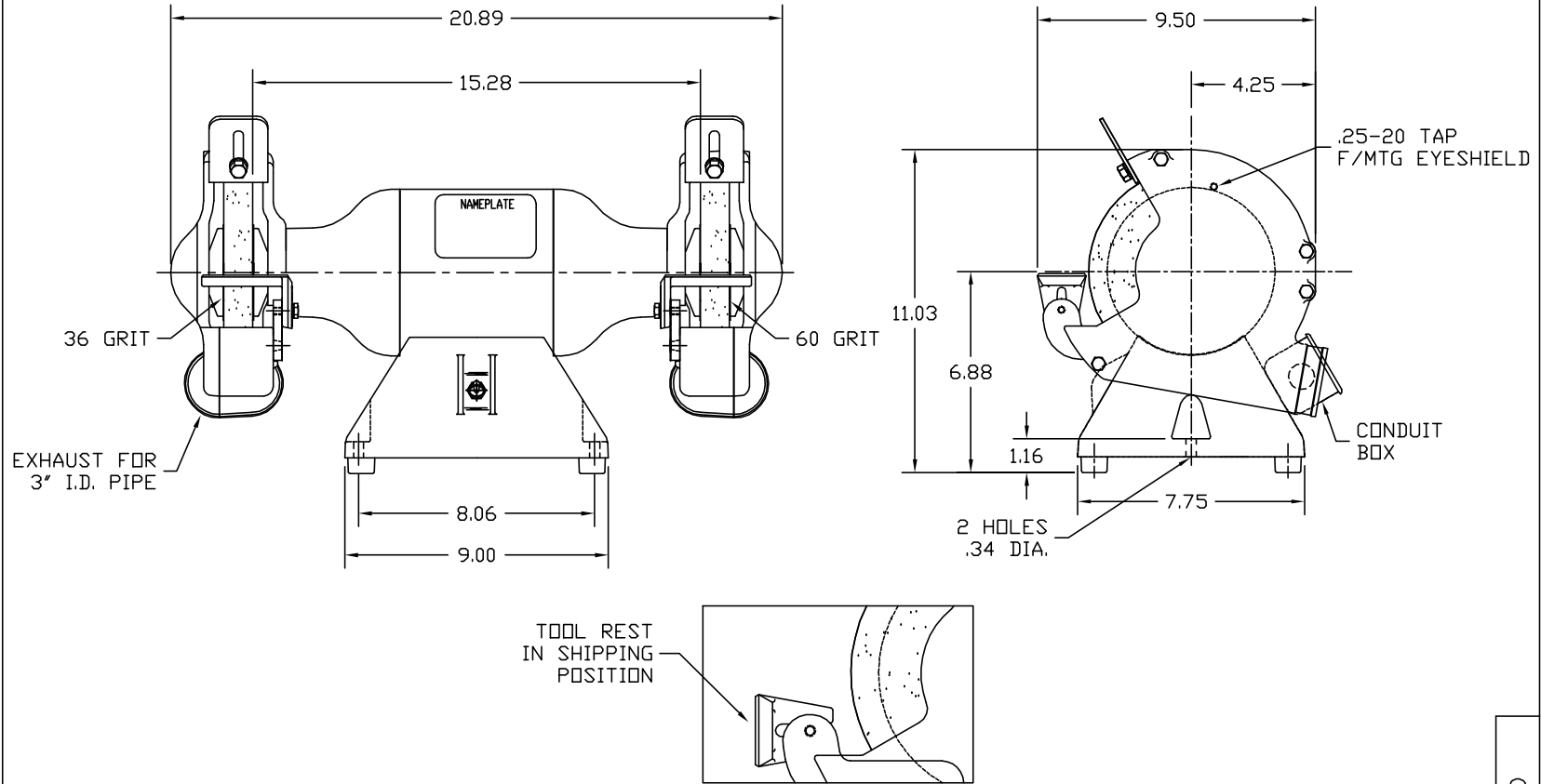
**Nameplate**

<b>NP0113</b>			
<b>CAT.NO.</b>	7309		
<b>HP</b>	.5	<b>VOLTS</b>	208-230/460
<b>PHASE</b>	3	<b>AMPS</b>	.85-.8/.4
<b>HZ</b>	50//60	<b>RPM</b>	3000//3600
<b>SER.NO</b>			
<b>SPEC.</b>	G7-311-44		

**Accessories**

<b>Part number</b>	<b>Description</b>	<b>Multiplier</b>
GA16E	PEDESTAL LIGHT INDUSTRIAL,STEEL	A8
GA16	PEDESTAL INDUSTRIAL, CAST IRON 6" - 10"	A8
GA14	PEDESTAL FABRICATED STEEL W/SHELVES	A8
GA9	PAIR LIGHTED EYESHIELDS	A8
GA9-1	SINGLE LIGHTED EYESHIELD	A8
GA9S	PAIR EYESHIELDS W/ ON-OFF SWITCH	A8
GA11	PAIR EYESHIELDS	A8
GA24	WATER POT	A8
B73	7" 36 GRIT GRINDING WHEEL	A8
B74	7" 60 GRIT GRINDING WHEEL	A8
DC7	DUST CONTROL UNIT	A8

G7LY0311



CUSTOMER IS RESPONSIBLE FOR DETERMINING THAT MOTOR PERFORMANCE IS SUITABLE IN THE APPLICATION.

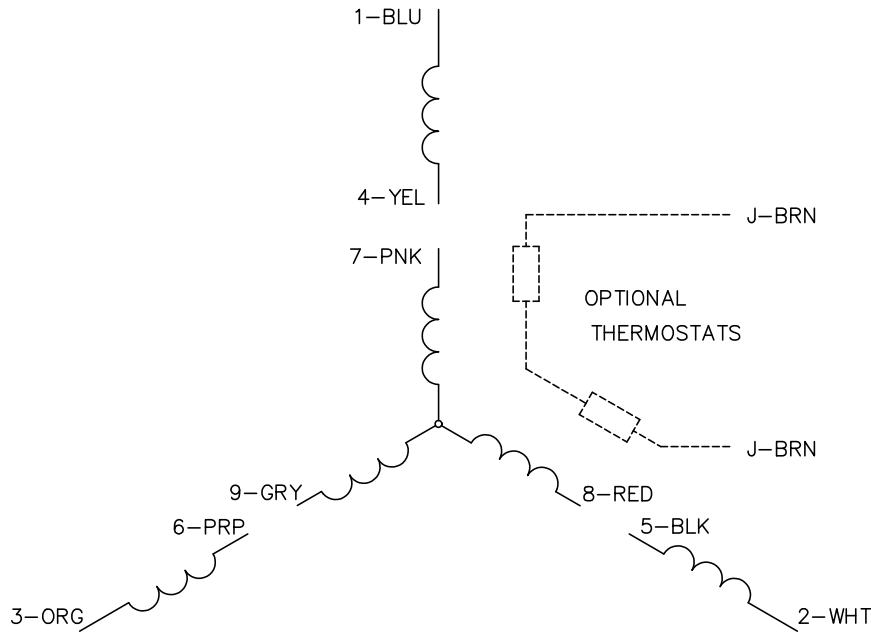
REV. DESC: ADDED TOOL REST SHIPPING POSITION VIEW			
REV. LTR: Q	BY: YTD	REVISED: 11:04:36 07/23/2002	TDR: 256297
1150311		FILE: AAA00021035	REF: G7LY0311
		MTL: -	

**BALDOR ELECTRIC Co.**

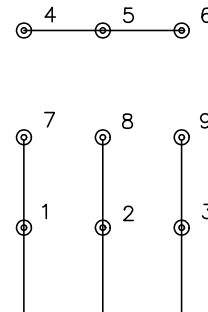
STD 7" DELUXE GRINDER TYPE M, CAT NO'S 7308 & 7309

G7LY0311

CD0005

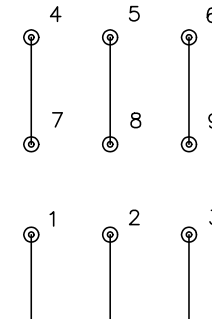


LOW VOLTAGE  
(2Y)



LINE

HIGH VOLTAGE  
(1Y)



LINE

NOTES:

1. INTERCHANGE ANY TWO LINE LEADS TO REVERSE ROTATION.
2. OPTIONAL THERMOSTATS ARE PROVIDED WHEN SPECIFIED.
3. ACTUAL NUMBER OF INTERNAL PARALLEL CIRCUITS MAY BE A MULTIPLE OF THOSE SHOWN ABOVE.
4. LEAD COLORS ARE OPTIONAL. LEADS MUST ALWAYS BE NUMBERED AS SHOWN.

CD0005

REV. DESC: REVISE TO SHOW OPTIONAL COLORS			
REV. LTR: E	BY: JLP	REVISED: 01/19/99 10:15	TDR: 0171435
S00000		FILE: AAA00005140	MDL: -
		MTL: -	

**BALDOR ELECTRIC Co.**

3PH, DV, 9 LEADS