

BALDOR • RELIANCE

Customer information packet

7307D

.5HP, 3600RPM, 1PH, 60HZ, 3420C, GRND

Specifications

Frequency	60.00 Hz
Nameplate Output	.5
Number of Poles	2
Phase	1
Product Style	GRINDER
Speed	3600 rpm
Voltage	115 V 230 V

Part detail

Revision	AZ
Type	AC
Mech. spec.	G7-0307
Base	
Status	PRD/A
Elec. spec.	G7WG0030
Layout	G7LY0307
Eff. date	07-26-2022
CD Diagram	CD0279
Poles	02
Leads	4#18
Proprietary	False
Created date	01-01-0001

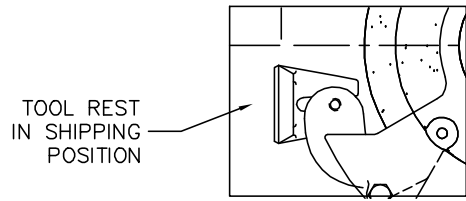
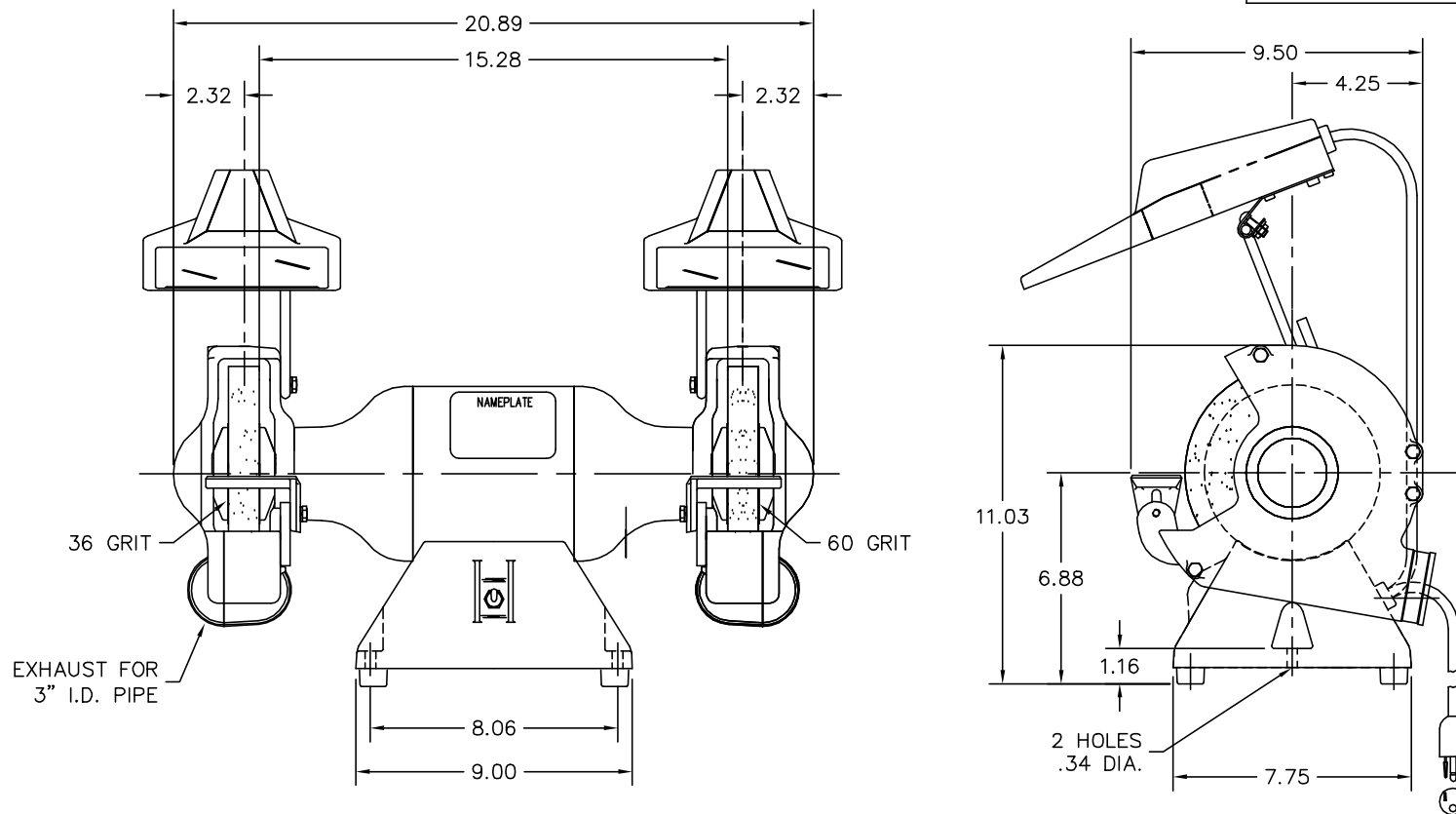
Nameplate

NP3118			
CAT.NO.	7307D		
HP	.5	VOLTS	115/230
PHASE	1	AMPS	3.4/1.7
HZ	60	RPM	3600
SER.NO			
SPEC.	G7-307-30		

Accessories

Part number	Description	Multiplier
GA16E	PEDESTAL LIGHT INDUSTRIAL,STEEL	
GA16	PEDESTAL INDUSTRIAL, CAST IRON 6" - 10"	
GA14	PEDESTAL FABRICATED STEEL W/SHELVES	
B73	7" 36 GRIT GRINDING WHEEL	
B74	7" 60 GRIT GRINDING WHEEL	
GA9	PAIR LIGHTED EYESHIELDS	
GA9-1	SINGLE LIGHTED EYESHIELD	
GA9S	PAIR EYESHIELDS W/ ON-OFF SWITCH	
GA11	PAIR EYESHIELDS	
BQ1-015-CC	1PH Brake, NEMA 1,110-125 VAC, 50/60Hz	
BQ1-015-CP	1PH Brake, Panel 110-125 VAC, 50/60 Hz	
DC7	DUST CONTROL UNIT	

G7LY0307



CUSTOMER IS RESPONSIBLE FOR DETERMINING THAT BALDOR'S PRODUCT WILL PERFORM SUITABLY IN THE INTENDED APPLICATION.

REV. DESC: SHOW LIGHTED EYESHIELD		
REV. LTR: K	VERSION: 02	TDR: 00000846441
FILE: \AAA\00046\129	REVISED: 04:24:58 03/31/2014	BY: ENVINWO
MTL: -		

BALDOR

STD. 7" DELUXE GRINDER TYPE C 115V

SH 1 of 1

G7LY0307

