

# **ABB BALDOR RELIANCE III**

---

## **Customer information packet** 7307

.5HP, 3600RPM, 1PH, 60HZ, 3420C, GRND

**Specifications**

<b>Enclosure</b>	GRND
<b>Frame Material</b>	Steel
<b>Frequency</b>	60.00 Hz 60.00 Hz
<b>Motor Letter Type</b>	Oil Capacitor Start and Run
<b>Nameplate Output</b>	.5
<b>Number of Poles</b>	2 2
<b>Output @ Frequency</b>	.500 HP @ 60 HZ
<b>Phase</b>	1 1
<b>Product Style</b>	GRINDER
<b>Speed</b>	3600 rpm 3600 rpm
<b>Synchronous Speed @ Frequency</b>	3600 RPM @ 60 HZ
<b>Voltage</b>	115 V 230 V
<b>Voltage @ Frequency</b>	230.0 V @ 60 HZ 115.0 V @ 60 HZ
<b>Agency Approvals</b>	CSA
<b>Ambient Temperature</b>	40 °C
<b>Base Indicator</b>	Rigid
<b>Bearing Grease Type</b>	Polyrex EM (-20F +300F)
<b>Current @ Voltage</b>	1.700 A @ 230.0 V 3.400 A @ 115.0 V
<b>Duty Rating</b>	CONT
<b>Feedback Device</b>	NO FEEDBACK
<b>Heater Indicator</b>	No Heater
<b>Insulation Class</b>	B
<b>KVA Code</b>	-
<b>Motor Lead Quantity/Wire Size</b>	4 @ 18 AWG
<b>Motor Standards</b>	Other

**Part Detail**

<b>Revision</b>	AY
<b>Type</b>	AC
<b>Mech. spec.</b>	G7-306
<b>Base</b>	
<b>Status</b>	PRD/A
<b>Elec. spec.</b>	G7WG0030
<b>Layout</b>	G7LY0306
<b>Eff. date</b>	06-23-2023
<b>CD Diagram</b>	CD0121
<b>Poles</b>	02
<b>Leads</b>	4#18
<b>Proprietary</b>	False
<b>Created date</b>	01-01-0001

<b>Motor Type</b>	3420C
<b>Mounting Arrangement</b>	F1
<b>Overall Length</b>	20.89 IN
<b>Product Family</b>	Grinder
<b>RoHS Status</b>	ROHS COMPLIANT
<b>Service Factor</b>	1.00
<b>Shaft Extension Location</b>	Double Shaft
<b>Shaft Rotation</b>	Fixed Opposite Standard
<b>Shaft Slinger Indicator</b>	No Slinger
<b>Speed Code</b>	Single Speed
<b>Starting Method</b>	Direct on line
<b>Thermal Device - Winding</b>	None

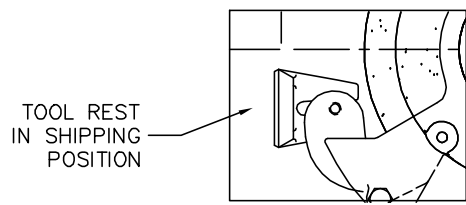
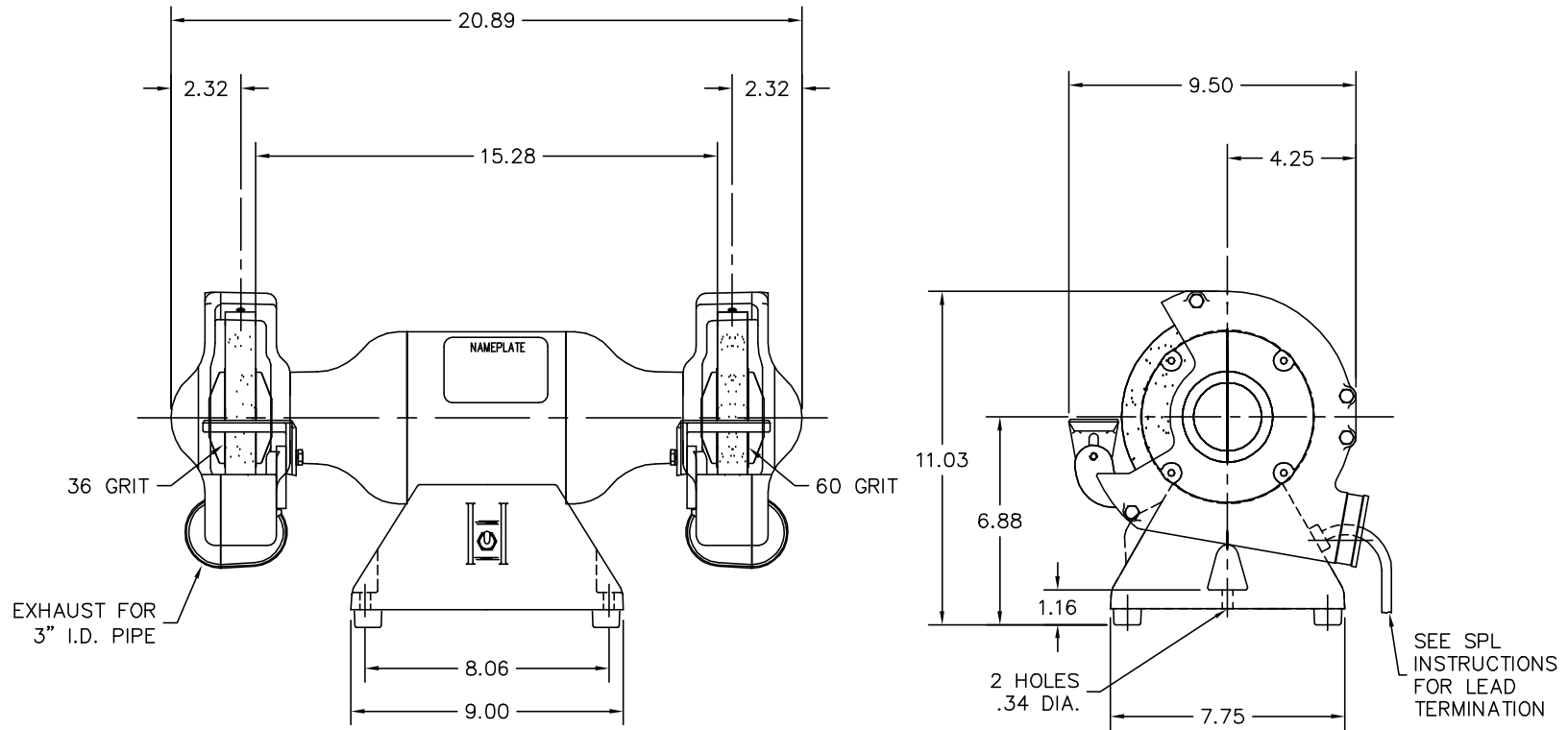
**Nameplate**

<b>NP0113</b>			
<b>CAT.NO.</b>	7307		
<b>HP</b>	.5	<b>VOLTS</b>	115/230
<b>PHASE</b>	1	<b>AMPS</b>	3.4/1.7
<b>HZ</b>	60	<b>RPM</b>	3600
<b>SER.NO</b>			
<b>SPEC.</b>	G7-306-30		

**Accessories**

<b>Part number</b>	<b>Description</b>	<b>Multiplier</b>
GA16E	PEDESTAL LIGHT INDUSTRIAL,STEEL	A8
GA16	PEDESTAL INDUSTRIAL, CAST IRON 6" - 10"	A8
GA14	PEDESTAL FABRICATED STEEL W/SHELVES	A8
GA9	PAIR LIGHTED EYESHIELDS	A8
GA9-1	SINGLE LIGHTED EYESHIELD	A8
GA9S	PAIR EYESHIELDS W/ ON-OFF SWITCH	A8
GA11	PAIR EYESHIELDS	A8
GA24	WATER POT	A8
B73	7" 36 GRIT GRINDING WHEEL	A8
B74	7" 60 GRIT GRINDING WHEEL	A8
BQ1-015-CC	1PH Brake, NEMA 1,110-125 VAC, 50/60Hz	P1
BQ1-015-CP	1PH Brake, Panel 110-125 VAC, 50/60 Hz	
DC7	DUST CONTROL UNIT	A8

G7LY0306



TOOL REST  
IN SHIPPING  
POSITION

SEE SPL  
INSTRUCTIONS  
FOR LEAD  
TERMINATION

G7LY0306

CUSTOMER IS RESPONSIBLE FOR DETERMINING THAT BALDOR'S PRODUCT WILL PERFORM SUITABLY IN THE INTENDED APPLICATION.

REV. DESC: CHG TO SHOW TO PACK THE SPARK BREAKERS AND SHIELDS		
REV. LTR: Y	VERSION: 03	TDR: 000000484468
FILE: \AAA\00102\175	REVISED: 10:55:58 05/31/2011	
MTL: -	BY: ENTRUV0	

**BALDOR**

STANDARD 7" DELUXE GRINDER TYPE C

SH 1 of 1

CD0121

