

BALDOR • RELIANCE

Customer information packet 7306

.5HP, 1800RPM, 1PH, 60HZ, 3420C, GRND

Specifications

Frequency	60.00 Hz
Nameplate Output	.5
Number of Poles	4
Phase	1
Product Style	GRINDER
Speed	1800 rpm
Voltage	115 V 230 V

Part detail

Revision	AU
Type	AC
Mech. spec.	G7-306
Base	
Status	PRD/A
Elec. spec.	G7WG0385
Layout	G7LY0306
Eff. date	06-23-2023
CD Diagram	CD0121
Poles	04
Leads	4#18
Proprietary	False
Created date	01-01-0001

Nameplate

NP3118			
CAT.NO.	7306		
HP	.5	VOLTS	115/230
PHASE	1	AMPS	3.8/1.9
HZ	60	RPM	1800
SER.NO			
SPEC.	G7-306-385		

Accessories

Part number	Description	Multiplier
GA16E	PEDESTAL LIGHT INDUSTRIAL,STEEL	A8
GA16	PEDESTAL INDUSTRIAL, CAST IRON 6" - 10"	A8
GA14	PEDESTAL FABRICATED STEEL W/SHELVES	A8
GA9	PAIR LIGHTED EYESHIELDS	A8
GA9-1	SINGLE LIGHTED EYESHIELD	A8
GA9S	PAIR EYESHIELDS W/ ON-OFF SWITCH	A8
GA11	PAIR EYESHIELDS	A8
GA24	WATER POT	A8
B73	7" 36 GRIT GRINDING WHEEL	A8
B74	7" 60 GRIT GRINDING WHEEL	A8
BQ1-015-CC	1PH Brake, NEMA 1,110-125 VAC, 50/60Hz	
BQ1-015-CP	1PH Brake, Panel 110-125 VAC, 50/60 Hz	
DC7	DUST CONTROL UNIT	A8

AC Induction Motor Performance Data

Record # 88749

Typical performance - not guaranteed values

Winding: G7WG0385-R001		Type: 3420C	Enclosure: TENV		
Nameplate Data			115 V, 60 Hz: Single Voltage Motor		
Rated Output (HP)	.5	Full Load Torque	1.53 LB-FT		
Volts	115/230	Start Configuration	direct on line		
Full Load Amps	3.8/1.9	Breakdown Torque	3.11 LB-FT		
R.P.M.	1800	Pull-up Torque	0.228 LB-FT		
Hz	60 Phase	1	Locked-rotor Torque	0.275 LB-FT	
NEMA Design Code	-	KVA Code	-	Starting Current	19.71 A
Service Factor (S.F.)	1	No-load Current	1.2 A		
NEMA Nom. Eff.	0	Power Factor	0	Line-line Res. @ 25°C	2.01 Ω A Ph 22.2 Ω B Ph
Rating - Duty	40C AMB-CONT		Temp. Rise @ Rated Load		
			Locked-rotor Power Factor	74.5	
			Rotor inertia	0.0472 lb-ft ²	

Load Characteristics 115 V, 60 Hz, 0.5 HP

% of Rated Load	25	50	75	100	125	150
Power Factor	83	91	94	95	95	95
Efficiency	54.9	69.7	75.3	76.7	75.1	72
Speed	1781	1765	1746	1722	1702	1678
Line amperes	1.78	2.56	3.45	3.8	5.26	5.96

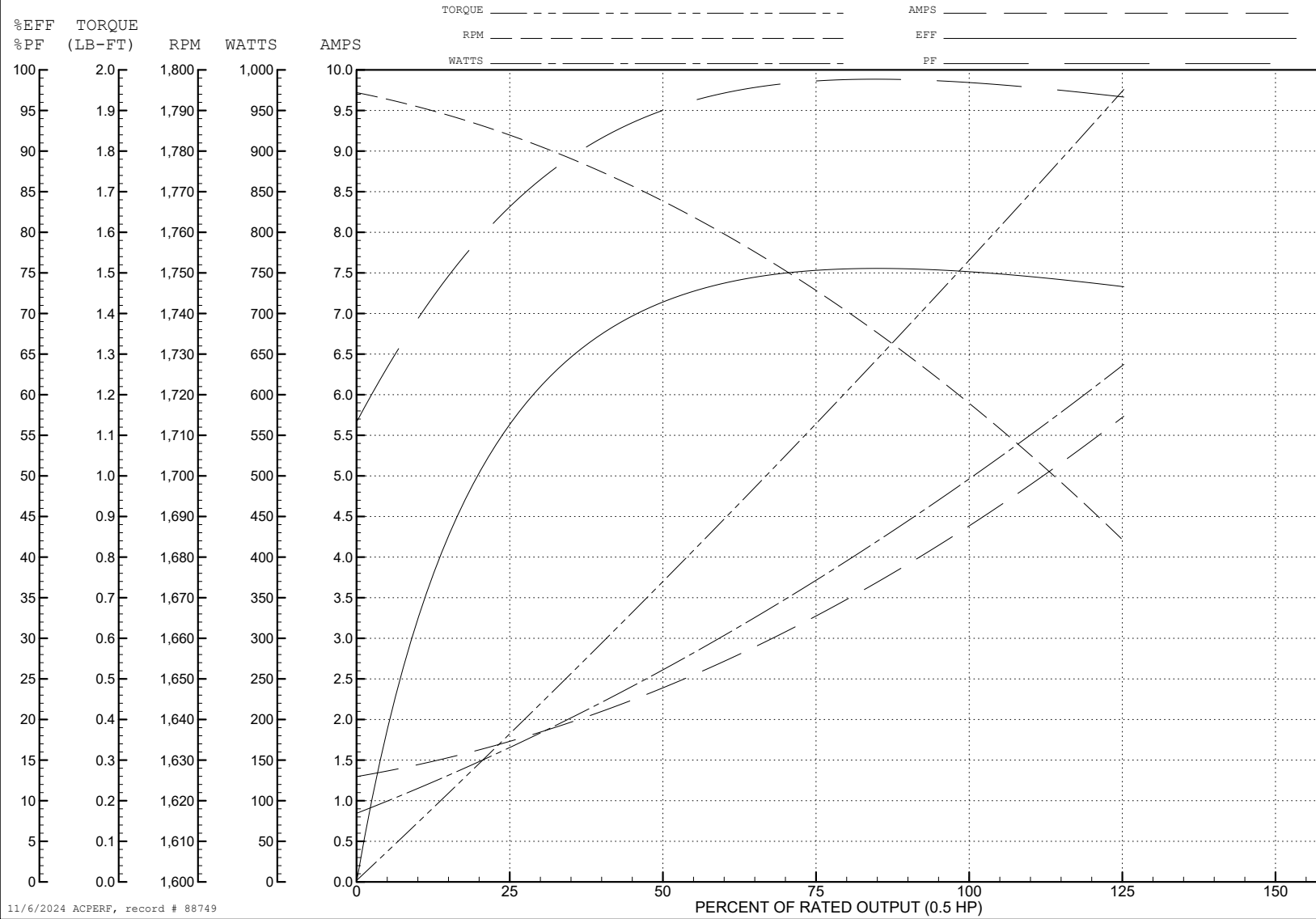
ABB Motors and Mechanical Inc.

WINDING # G7WG0385

Typical performance - not guaranteed values.

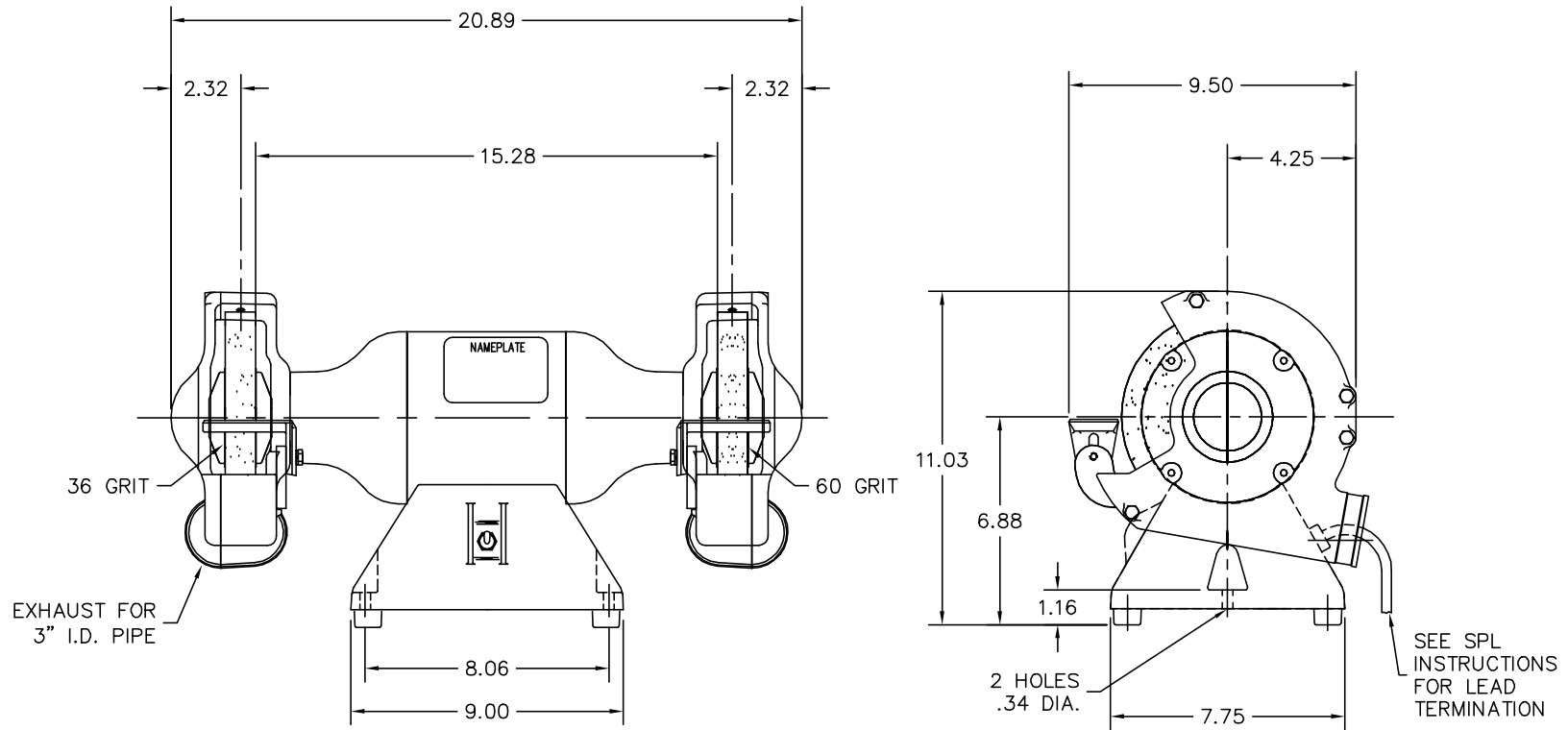
0.5 HP 1 PH 60 HZ 1800 RPM 115 V 3420C

TORQUES (LB-FT): PO=3.11 PU=0.228 LR=0.275 LRA=19.71

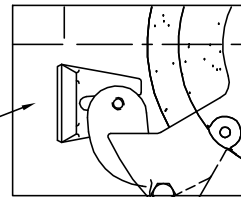


11/6/2024 ACPERF, record # 88749

G7LY0306



TOOL REST
IN SHIPPING
POSITION



CUSTOMER IS RESPONSIBLE FOR DETERMINING THAT BALDOR'S PRODUCT WILL PERFORM SUITABLY IN THE INTENDED APPLICATION.

REV. DESC: CHG TO SHOW TO PACK THE SPARK BREAKERS AND SHIELDS		
REV. LTR: Y	VERSION: 03	TDR: 000000484468
FILE: \AAA\00102\175		REVISED: 10:55:58 05/31/2011
MTL: -		BY: ENTRUV0

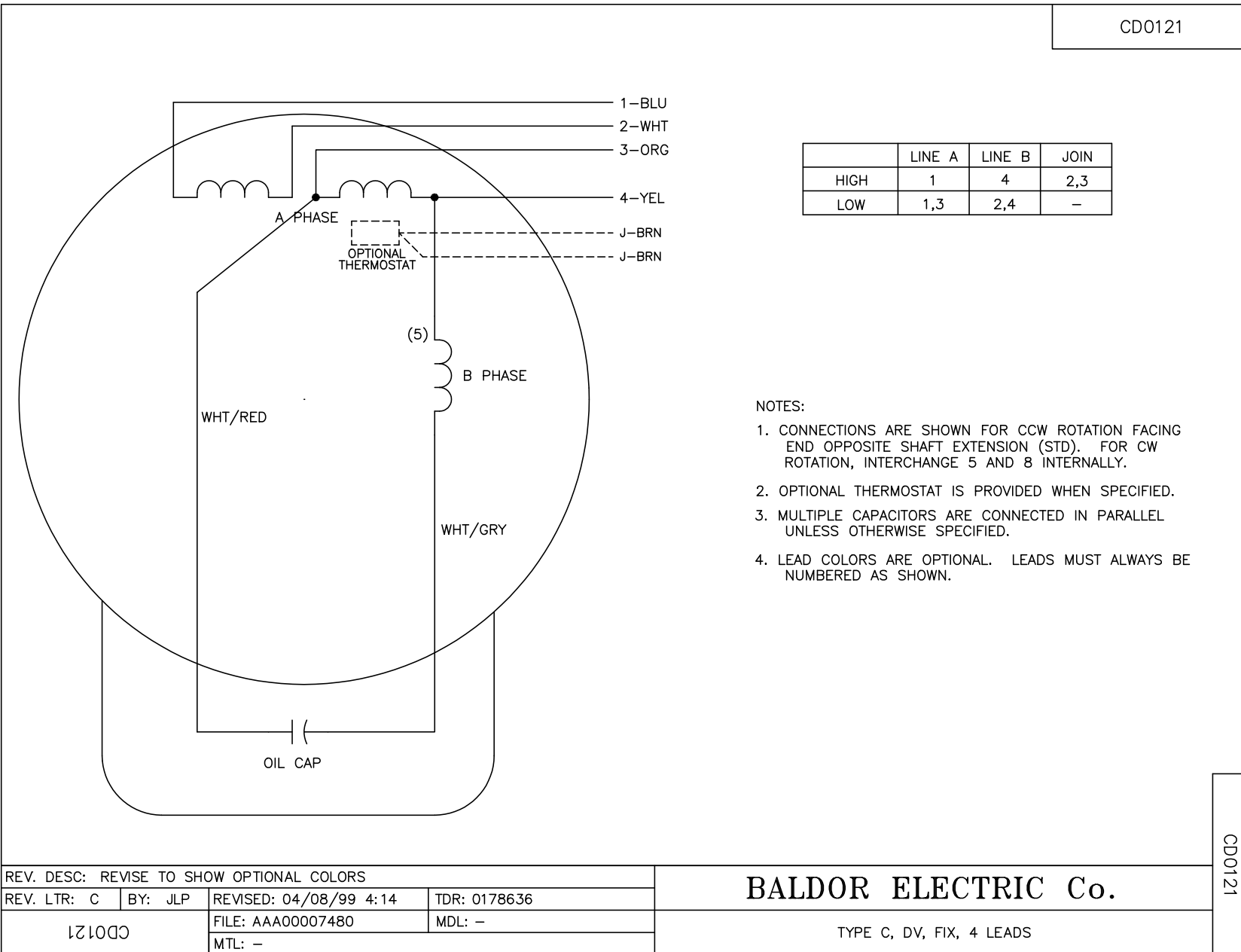
BALDOR

STANDARD 7" DELUXE GRINDER TYPE C

SH 1 of 1

G7LY0306

CD0121



CD0121

REV. DESC: REVISE TO SHOW OPTIONAL COLORS			
REV. LTR: C	BY: JLP	REVISED: 04/08/99 4:14	TDR: 0178636
CD0121		FILE: AAA00007480	MDL: -
		MTL: -	

BALDOR ELECTRIC Co.

TYPE C, DV, FIX, 4 LEADS