

ABB BALDOR RELIANCE III

Customer information packet

712RE

.5HP, 3600RPM, 1PH, 60HZ, 3420C, GRND

Copyright © All product information within this document is subject to ABB Motors and Mechanical Inc. copyright © protection, unless otherwise noted.

7/7/2026 10:18:48 PM

Specifications

Enclosure	GRND
Frame Material	Steel
Frequency	60.00 Hz 60.00 Hz
Motor Letter Type	Oil Capacitor Start and Run
Nameplate Output	.5
Number of Poles	2 2
Output @ Frequency	.500 HP @ 60 HZ
Phase	1 1
Product Style	GRINDER
Speed	3600 rpm 3600 rpm
Synchronous Speed @ Frequency	3600 RPM @ 60 HZ
Voltage	115 V
Voltage @ Frequency	115.0 V @ 60 HZ
Agency Approvals	CSA
Ambient Temperature	40 °C
Base Indicator	Rigid
Bearing Grease Type	Polyrex EM (-20F +300F)
Current @ Voltage	3.400 A @ 115.0 V
Duty Rating	CONT
Feedback Device	NO FEEDBACK
Heater Indicator	No Heater
Insulation Class	B
KVA Code	-
Motor Lead Quantity/Wire Size	4 @ 18 AWG
Motor Standards	Other
Motor Type	3420C
Mounting Arrangement	F1
Overall Length	20.89 IN

Part Detail

Revision	BE
Type	AC
Mech. spec.	G7-0302
Base	
Status	PRD/A
Elec. spec.	G7WG0030
Layout	G7LY0302
Eff. date	04-03-2025
CD Diagram	CD0121
Poles	02
Leads	4#18
Proprietary	False
Created date	01-01-0001

Product Family	Grinder
Service Factor	1.00
Shaft Extension Location	Double Shaft
Shaft Rotation	Fixed Opposite Standard
Shaft Slinger Indicator	No Slinger
Speed Code	Single Speed
Starting Method	Direct on line
Thermal Device - Winding	None

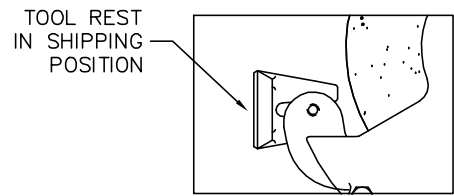
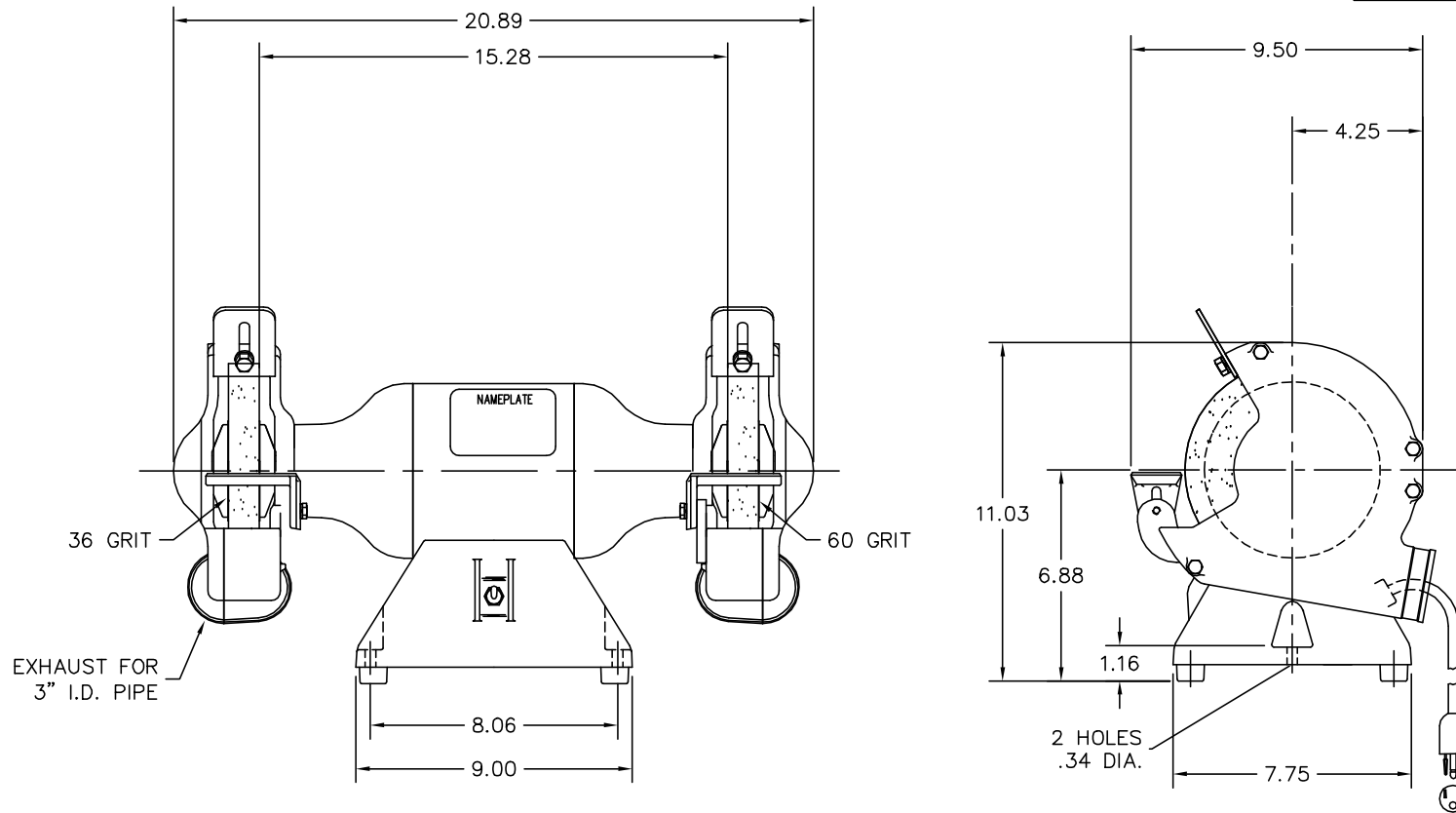
Nameplate

NPO235			
CAT.NO.	712RE		
HP	.5	VOLTS	115
PHASE	1	AMPS	3.4
HZ	60	RPM	3600
SER.NO			
SPEC.	G7-302-30		

Accessories

Part number	Description	Multiplier
GA16RE	PEDESTAL LIGHT INDUSTRIAL,STEEL-RED	A8
GA14R	PEDESTAL FABRICATED STEEL W/SHELVES-RED	A8
GA16R	PEDESTAL IND., CAST IRON 6" - 10" RED	A8
B73	7" 36 GRIT GRINDING WHEEL	A8
B74	7" 60 GRIT GRINDING WHEEL	A8
GA9R	PAIR LIGHTED EYESHIELDS-RED	A8
GA9SR	PAIR LIGHTED EYESHIELD W/ON-OFF-RED	A8
BQ1-015-CC	1PH Brake, NEMA 1,110-125 VAC, 50/60Hz	P1
BQ1-015-CP	1PH Brake, Panel 110-125 VAC, 50/60 Hz	
DC7	DUST CONTROL UNIT	A8

G7LY0302



CUSTOMER IS RESPONSIBLE FOR DETERMINING THAT MOTOR PERFORMANCE IS SUITABLE IN THE APPLICATION.

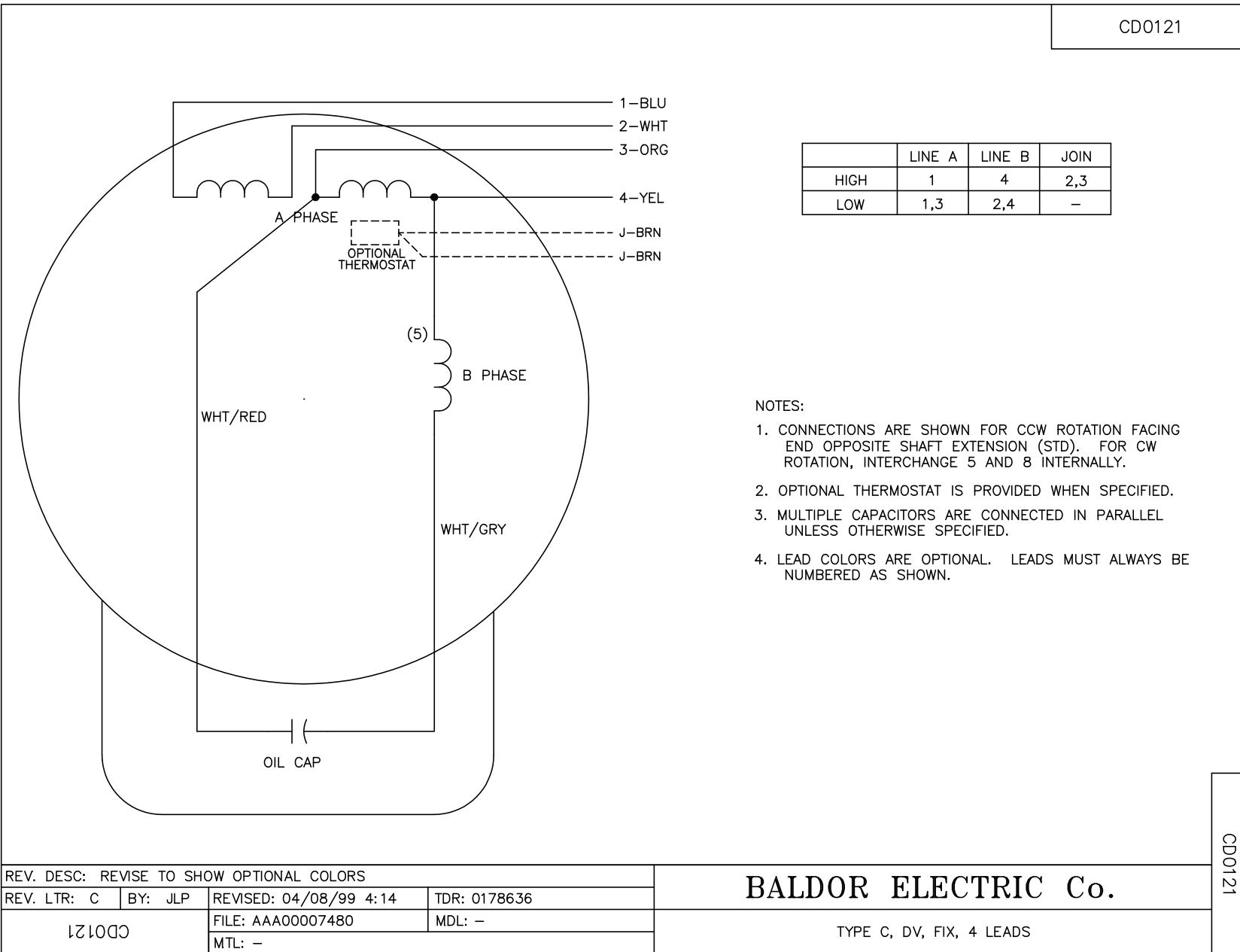
REV. DESC: ADDED TOOL REST SHIPPING POSITION VIEW			
REV. LTR: D	BY: YTD	REVISED: 12:57:30 07/22/2002	TDR: 256297
7050A779		FILE: AAA00046340	REF: G7LY0302
		MTL: -	

BALDOR ELECTRIC Co.

STD 7" UTILITY GRINDER TYPE C 115V (CAT. NO. 712RE)

G7LY0302

CD0121



CD0121

REV. DESC: REVISE TO SHOW OPTIONAL COLORS			
REV. LTR: C	BY: JLP	REVISED: 04/08/99 4:14	TDR: 0178636
CD0121		FILE: AAA00007480	MDL: -
		MTL: -	

BALDOR ELECTRIC Co.

TYPE C, DV, FIX, 4 LEADS