

**BALDOR • RELIANCE**

---

# Customer information packet

## 712R

.5HP, 3600RPM, 1PH, 60HZ, 3420C, GRND

**Specifications**

<b>Frequency</b>	60.00 Hz
<b>Nameplate Output</b>	.5
<b>Number of Poles</b>	2
<b>Phase</b>	1
<b>Product Style</b>	GRINDER
<b>Speed</b>	3600 rpm
<b>Voltage</b>	115 V

**Part detail**

<b>Revision</b>	BC
<b>Type</b>	AC
<b>Mech. spec.</b>	G7-371
<b>Base</b>	
<b>Status</b>	PRD/A
<b>Elec. spec.</b>	G7WG0030
<b>Layout</b>	G7LY0371
<b>Eff. date</b>	02-20-2024
<b>CD Diagram</b>	CD0279
<b>Poles</b>	02
<b>Leads</b>	4#18
<b>Proprietary</b>	False
<b>Created date</b>	01-01-0001

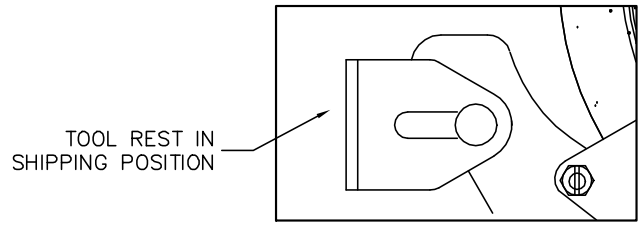
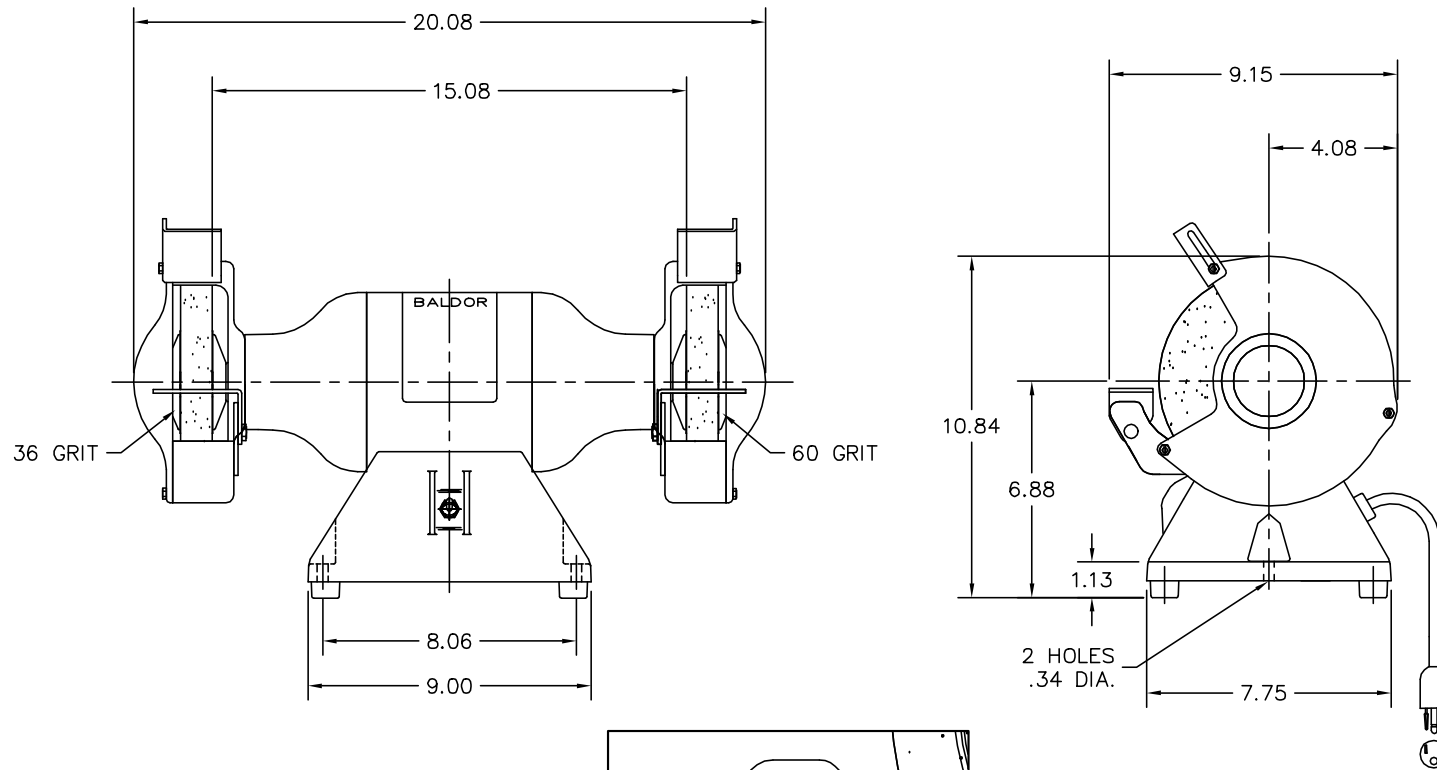
**Nameplate**

NP0235			
<b>CAT.NO.</b>	712R		
<b>HP</b>	.5	<b>VOLTS</b>	115
<b>PHASE</b>	1	<b>AMPS</b>	3.4
<b>HZ</b>	60	<b>RPM</b>	3600
<b>SER.NO</b>			
<b>SPEC.</b>	G7-371-30		

**Accessories**

<b>Part number</b>	<b>Description</b>	<b>Multiplier</b>
GA16RE	PEDESTAL LIGHT INDUSTRIAL,STEEL-RED	A8
GA14R	PEDESTAL FABRICATED STEEL W/SHELVES-RED	A8
GA16R	PEDESTAL IND., CAST IRON 6" - 10" RED	A8
B73	7" 36 GRIT GRINDING WHEEL	A8
B74	7" 60 GRIT GRINDING WHEEL	A8
GA9R	PAIR LIGHTED EYESHIELDS-RED	A8
GA9SR	PAIR LIGHTED EYESHIELD W/ON-OFF-RED	A8
BQ1-015-CC	1PH Brake, NEMA 1,110-125 VAC, 50/60Hz	
BQ1-015-CP	1PH Brake, Panel 110-125 VAC, 50/60 Hz	

G7LY0371



CUSTOMER IS RESPONSIBLE FOR DETERMINING THAT MOTOR PERFORMANCE IS SUITABLE IN THE APPLICATION.

REV. DESC: CHG'D HA2040A01 TO HA2072; DIM 15.08 WAS 15.28			
REV. LTR: F	BY: RT	REVISED: 11:00:24 03/11/2004	TDR: 326808
1/20/07		FILE: AAA00045822	REF: G7LY0371
		MTL: -	

**BALDOR ELECTRIC Co.**

7" UTILITY GRINDER NON-EXHAUST TYPE 420C 115 VOLTS

G7LY0371

