

BALDOR • RELIANCE

Customer information packet 712

.5HP, 3600RPM, 1PH, 60HZ, 3420C, GRND

Specifications

Frequency	60.00 Hz
Nameplate Output	.5
Number of Poles	2
Phase	1
Product Style	GRINDER
Speed	3600 rpm
Voltage	115 V

Part detail

Revision	BC
Type	AC
Mech. spec.	G7-370
Base	
Status	PRD/A
Elec. spec.	G7WG0030
Layout	G7LY0370
Eff. date	06-23-2023
CD Diagram	CD0279
Poles	02
Leads	4#18
Proprietary	False
Created date	01-01-0001

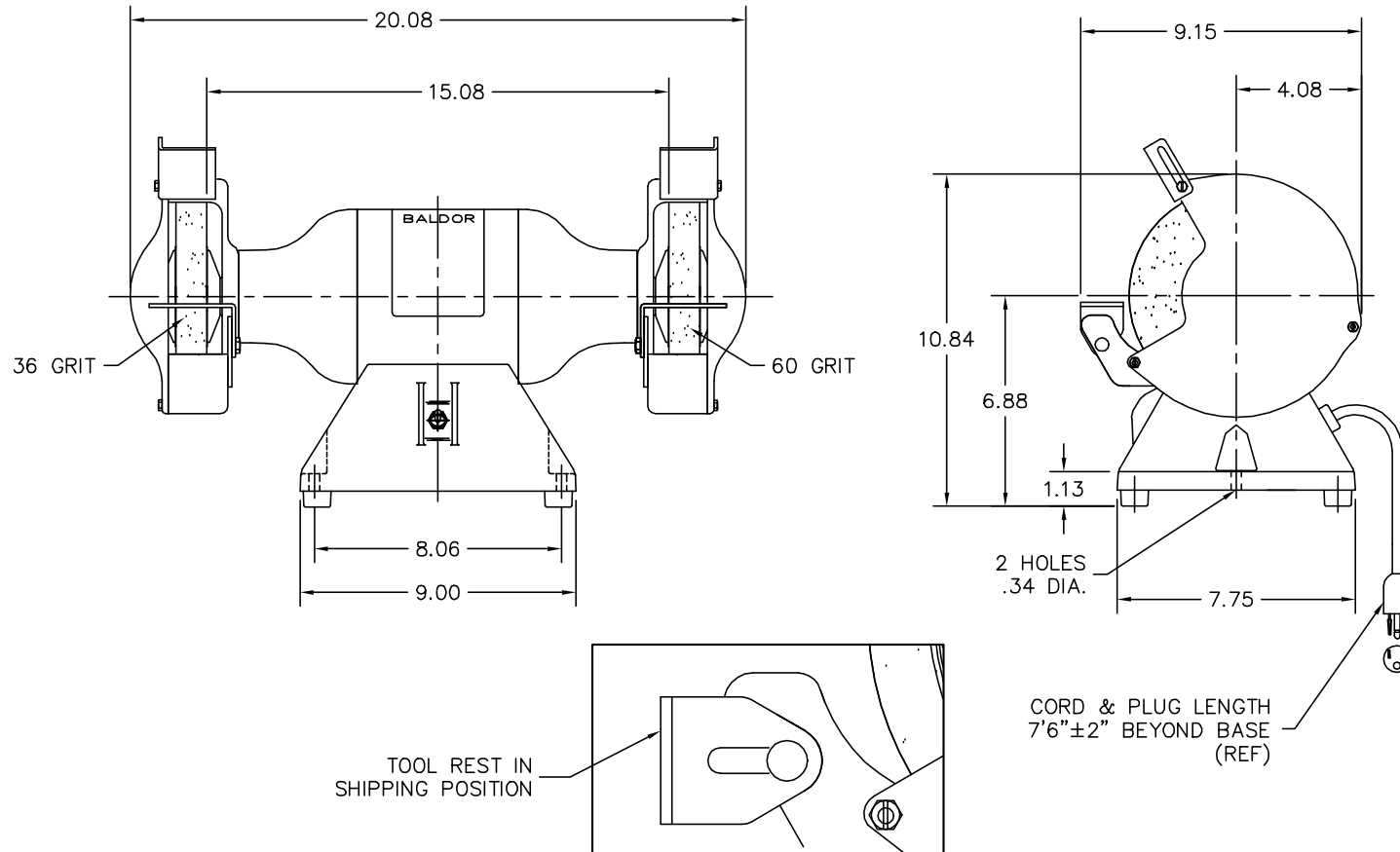
Nameplate

NP0113			
CAT.NO.	712		
HP	.5	VOLTS	115
PHASE	1	AMPS	3.4
HZ	60	RPM	3600
SER.NO			
SPEC.	G7-370-30		

Accessories

Part number	Description	Multiplier
GA16E	PEDESTAL LIGHT INDUSTRIAL,STEEL	A8
GA16	PEDESTAL INDUSTRIAL, CAST IRON 6" - 10"	A8
GA14	PEDESTAL FABRICATED STEEL W/SHELVES	A8
B73	7" 36 GRIT GRINDING WHEEL	A8
B74	7" 60 GRIT GRINDING WHEEL	A8
GA9	PAIR LIGHTED EYESHIELDS	A8
GA9-1	SINGLE LIGHTED EYESHIELD	A8
GA9S	PAIR EYESHIELDS W/ ON-OFF SWITCH	A8
GA11	PAIR EYESHIELDS	A8
BQ1-015-CC	1PH Brake, NEMA 1,110-125 VAC, 50/60Hz	
BQ1-015-CP	1PH Brake, Panel 110-125 VAC, 50/60 Hz	

G7LY0370



CUSTOMER IS RESPONSIBLE FOR DETERMINING THAT BALDOR'S PRODUCT WILL PERFORM SUITABLY IN THE INTENDED APPLICATION.

REV. DESC: ADD CORD LENGTH REFERENCE PER PLANT		
REV. LTR: T	VERSION: 03	TDR: 000001029878
FILE: \AAA\00100\735	REVISED: 09:10:38 05/25/2017	BY: ENBENBO
MTL: -		

BALDOR

7" UTILITY GRINDER TYPE 420C 115 NON-EXHAUST

SH 1 of 1

G7LY0370

