

BALDOR • RELIANCE

Customer information packet 532

.5HP, 3000/3600RPM, 3PH, 50/60HZ, 3524M

Specifications

Frequency	50.00 Hz
	60.00 Hz
Nameplate Output	.5
Number of Poles	2
Phase	3
Product Style	GRINDER
Speed	3000 rpm
	3600 rpm
Voltage	208 V
	230 V
	460 V

Part detail

Revision	BB
Type	AC
Mech. spec.	A-742
Base	
Status	PRD/A
Elec. spec.	G9WG0341
Layout	ALY0742
Eff. date	10-04-2022
CD Diagram	CD0294
Poles	02
Leads	9#18 12" LG Y
Proprietary	False
Created date	08-08-2007

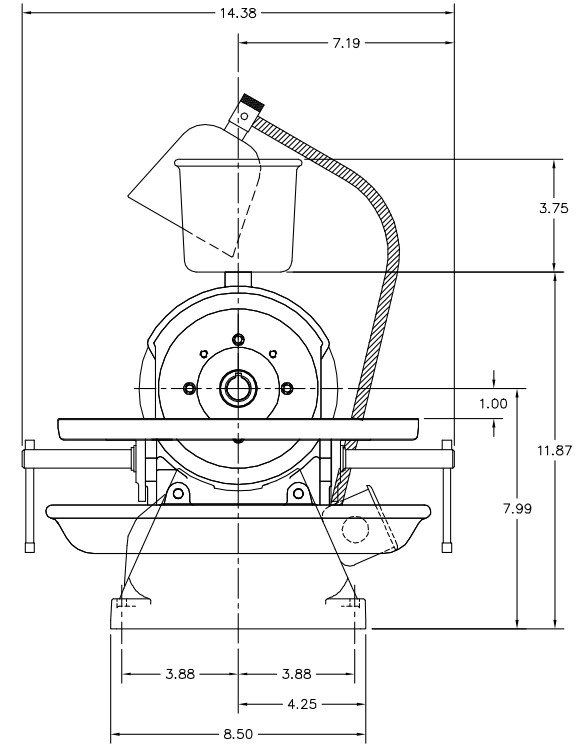
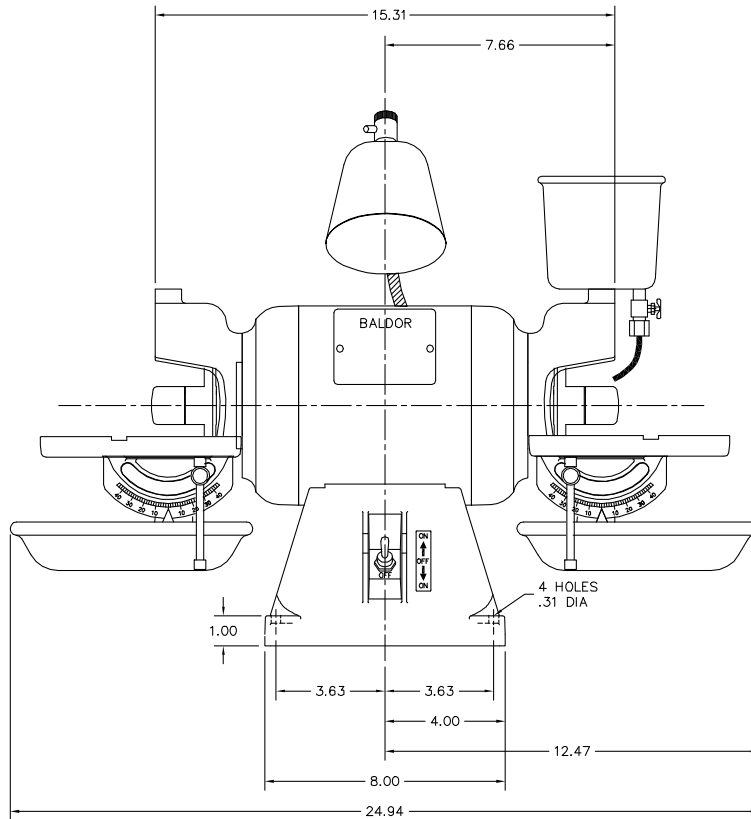
Nameplate

NP3118			
CAT.NO.	532		
HP	.5	VOLTS	208-230/460
PHASE	3	AMPS	2/1
HZ	50//60	RPM	3000//3600
SER.NO			
SPEC.	A-742-341		

Accessories

Part number	Description	Multiplier
GA16	PEDESTAL INDUSTRIAL, CAST IRON 6" - 10"	A8
GA14	PEDESTAL FABRICATED STEEL W/SHELVES	A8
GA20	PEDESTAL INDUSTRIAL, CAST IRON 8"-14"	A8
GA20E	PEDESTAL LIGHT INDUSTRIAL,STEEL	A8
D501	GENERAL PURPOSE DIAMOND WHEEL	A8
D502	FINE FINISH DIAMOND WHEEL	A8

ALY0742



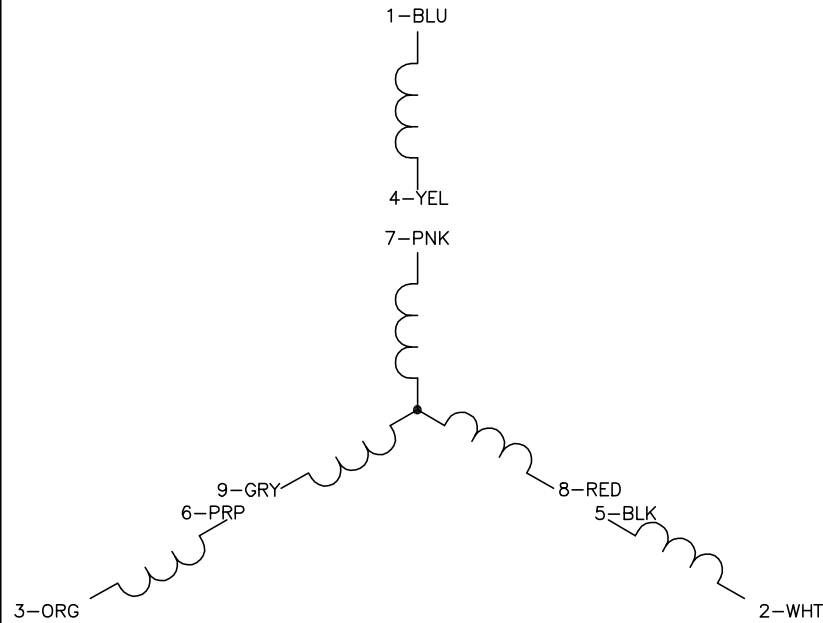
ALY0742

CUSTOMER IS RESPONSIBLE FOR DETERMINING THAT THE PRODUCT WILL PERFORM SUITABLY IN THE INTENDED APPLICATION.

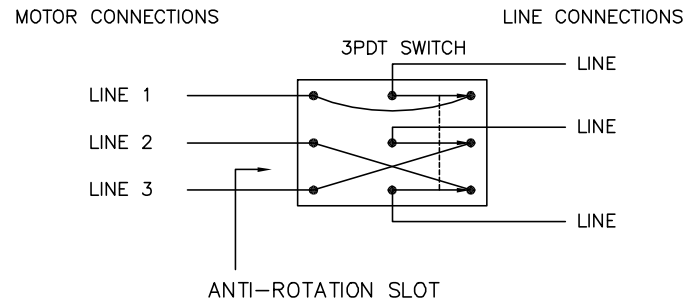
REV. DESC: REMOVE RUBBER FEET	VERSION: 01	TDR: 0000011831&3
REV. LTR: E	REVISED: 01:17:54 12/17/2021	BY: USANEAT
FILE: \AAA\00077\148		
MTL: -		

BALDOR - RELIANCE[®]
 STD 6" DIAMOND WHEEL TOOL GRINDER 524C FRAME 35
 SH 1 of 1

CD0294



	LINE 1	LINE 2	LINE 3	JOIN 1	JOIN 2	JOIN 3
HIGH	1	2	3	4,7	5,8	6,9
LOW	1,7	2,8	3,9	4,5,6	-	-



NOTES:

1. INTERCHANGE ANY TWO LINE LEADS TO REVERSE ROTATION.
2. ACTUAL NUMBER OF INTERNAL PARALLEL CIRCUITS MAY VARY.
3. LEAD COLORS ARE OPTIONAL. LEADS MUST ALWAYS BE NUMBERED AS SHOWN.

REV. DESC: ADDED THE LCOATION OF ANTI-ROTATION SLOT			
REV. LTR: C	VERSION: 01	TDR: 000000406180	
†6Z0C0	FILE: \AAA\00051\250	REVISED: 14:15:46 09/27/2006	
	MTL: -	BY: ENALEMO	

BALDOR ELECTRIC Co.

3PH, DV, 9 LEADS, 2PDT REVERSING SWITCH

CD0294