

ABB BALDOR RELIANCE III

Customer information packet

522

.5HP, 3600RPM, 1PH, 60HZ, 3524C, 3524C, TENV

Copyright © All product information within this document is subject to ABB Motors and Mechanical Inc. copyright © protection, unless otherwise noted.

7/7/2026 10:17:24 PM

Specifications

Enclosure	TENV
Frame Material	Steel
Frequency	60.00 Hz 60.00 Hz
Motor Letter Type	Oil Capacitor Start and Run
Nameplate Output	.5
Number of Poles	2 2
Output @ Frequency	.500 HP @ 60 HZ
Phase	1 1
Product Style	GRINDER
Speed	3600 rpm 3600 rpm
Synchronous Speed @ Frequency	3600 RPM @ 60 HZ
Voltage	115 V
Voltage @ Frequency	115.0 V @ 60 HZ
Agency Approvals	UR
Ambient Temperature	40 °C
Base Indicator	Rigid
Bearing Grease Type	Polyrex EM (-20F +300F)
Current @ Voltage	5.000 A @ 115.0 V
Design Code	-
Duty Rating	CONT
Feedback Device	NO FEEDBACK
Insulation Class	B
KVA Code	-
Motor Lead Quantity/Wire Size	3 @ 18 AWG
Motor Standards	Other
Motor Type	3524C
Mounting Arrangement	F1
Overall Length	15.32 IN

Part Detail

Revision	BH
Type	AC
Mech. spec.	A-738
Base	
Status	PRD/A
Elec. spec.	G9WG0343
Layout	ALY0738
Eff. date	06-06-2023
CD Diagram	CD0285
Poles	02
Leads	3#18 8.5" LG Y
Proprietary	False
Created date	08-08-2007

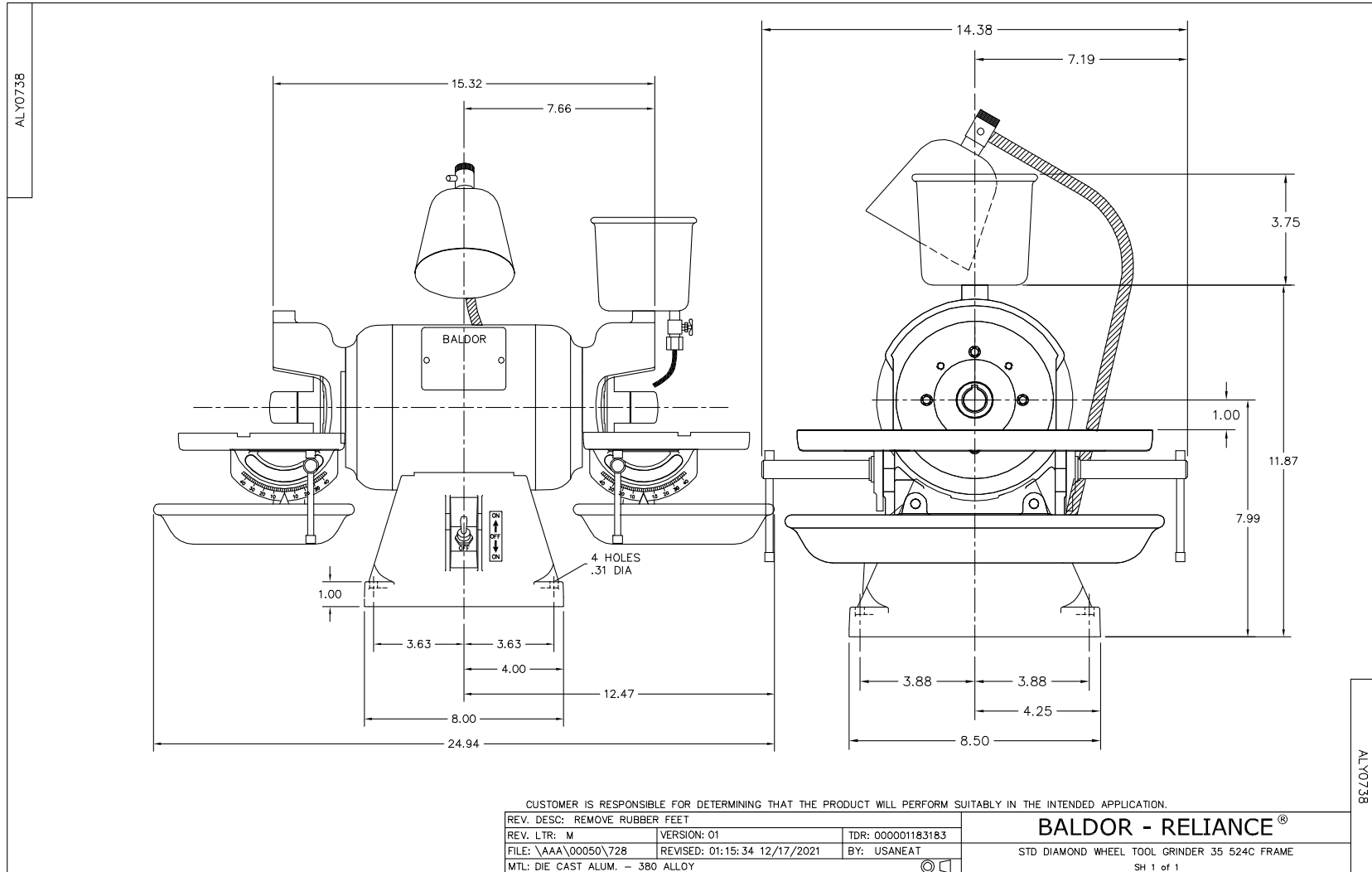
Product Family	Grinder
Service Factor	1.00
Shaft Extension Location	Pulley End
Shaft Rotation	Reversible: Connected OPP STD
Shaft Slinger Indicator	No Slinger
Speed Code	Single Speed
Starting Method	Direct on line
Thermal Device - Winding	None

Nameplate

NP3118			
CAT.NO.	522		
HP	.5	VOLTS	115
PHASE	1	AMPS	5
HZ	60	RPM	3600
SER.NO			
SPEC.	A-738-343		

Accessories

Part number	Description	Multiplier
GA16	PEDESTAL INDUSTRIAL, CAST IRON 6" - 10"	A8
GA14	PEDESTAL FABRICATED STEEL W/SHELVES	A8
GA20	PEDESTAL INDUSTRIAL, CAST IRON 8"-14"	A8
GA20E	PEDESTAL LIGHT INDUSTRIAL,STEEL	A8
D501	GENERAL PURPOSE DIAMOND WHEEL	A8
D502	FINE FINISH DIAMOND WHEEL	A8
BQ1-015-CC	1PH Brake, NEMA 1,110-125 VAC, 50/60Hz	P1
BQ1-015-CP	1PH Brake, Panel 110-125 VAC, 50/60 Hz	



CD0285

