

BALDOR • RELIANCE

Customer information packet 500

.5HP, 3600RPM, 1PH, 60HZ, 3524C, 3524C, TENV

Specifications

Frequency	60.00 Hz
Nameplate Output	.5
Number of Poles	2
Phase	1
Product Style	GRINDER
Speed	3600 rpm
Voltage	115 V

Part detail

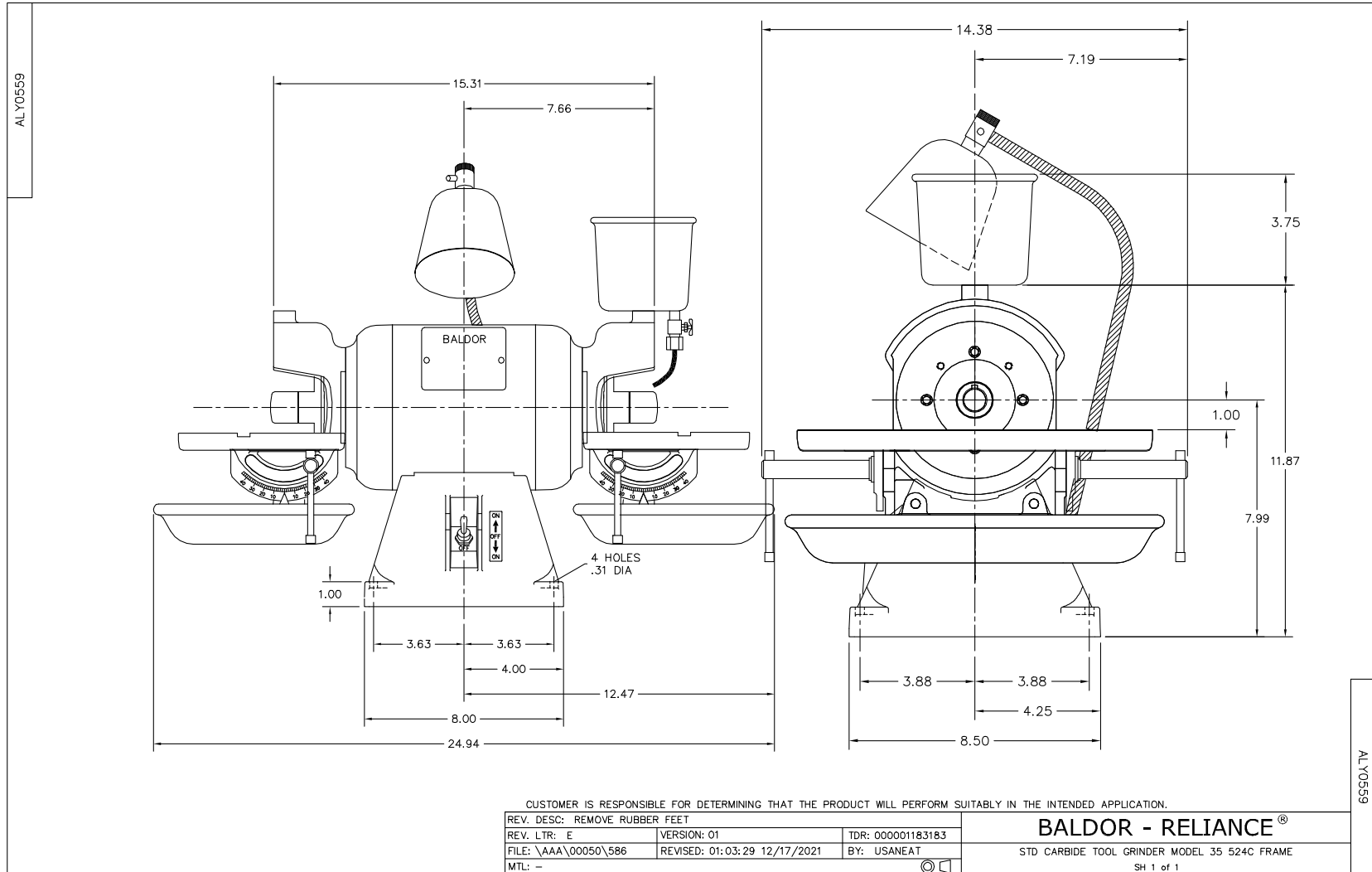
Revision	BM
Type	AC
Mech. spec.	A-559
Base	
Status	PRD/A
Elec. spec.	G9WG0343
Layout	ALY0559
Eff. date	06-06-2023
CD Diagram	CD0285
Poles	02
Leads	3#18
Proprietary	False
Created date	08-08-2007

Nameplate

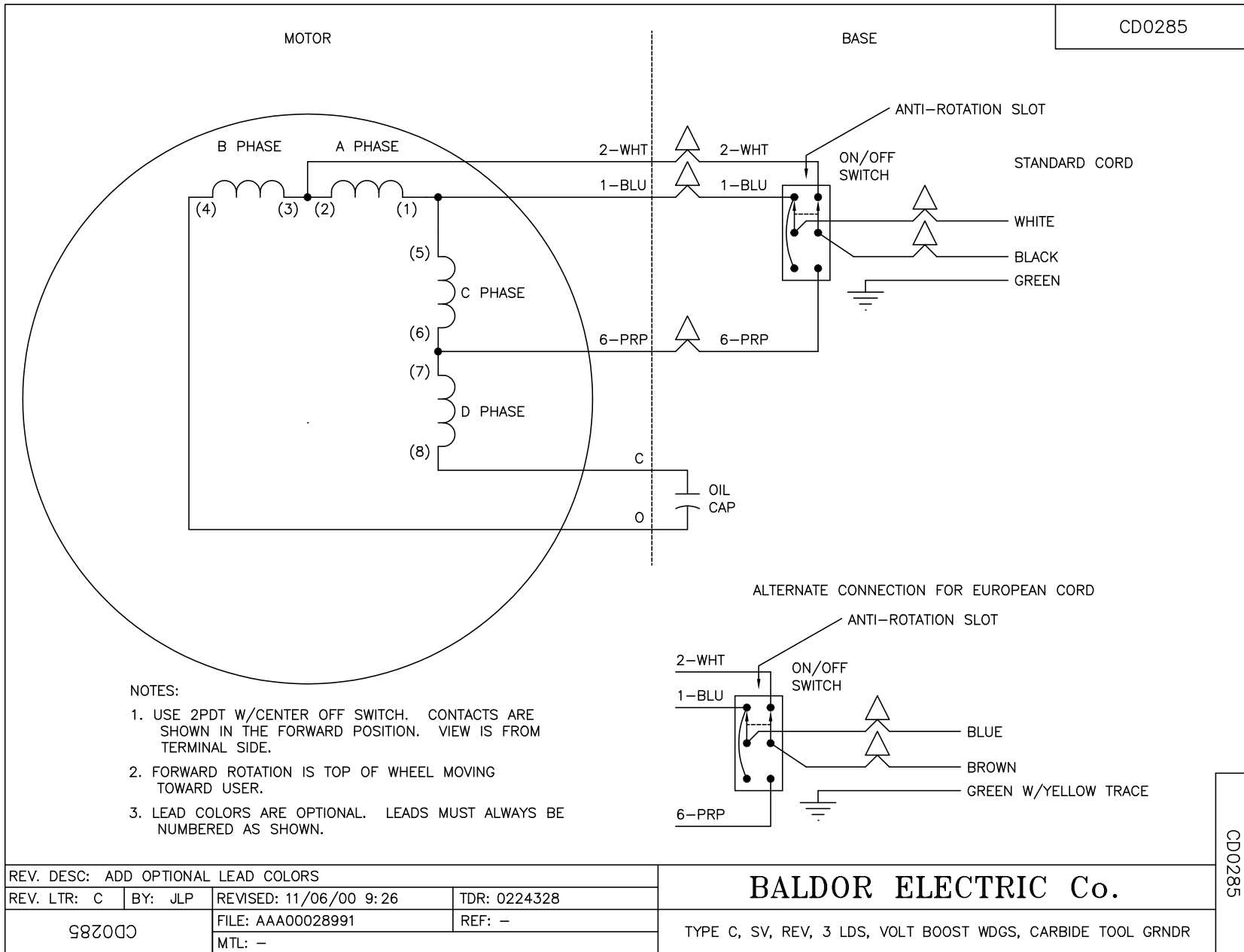
NP3118			
CAT.NO.	500		
HP	.5	VOLTS	115
PHASE	1	AMPS	5
HZ	60	RPM	3600
SER.NO			
SPEC.	A-559-343		

Accessories

Part number	Description	Multiplier
GA16	PEDESTAL INDUSTRIAL, CAST IRON 6" - 10"	A8
GA14	PEDESTAL FABRICATED STEEL W/SHELVES	A8
GA20	PEDESTAL INDUSTRIAL, CAST IRON 8"-14"	A8
GA20E	PEDESTAL LIGHT INDUSTRIAL,STEEL	A8
GA7	DIAMOND NIB FOR GA8	A8
GA8	WHEEL DRESSER	A8
C61	60 GRIT CARBIDE GRINDING WHEEL	A8
C121	120 GRIT CARBIDE GRINDING WHEEL	A8
S46	46 GRIT GRINDING WHEEL/ALUM OXIDE	A8
S61	60 GRIT GRINDING WHEEL/ ALUM. OXIDE	A8
BQ1-015-CC	1PH Brake, NEMA 1,110-125 VAC, 50/60Hz	
BQ1-015-CP	1PH Brake, Panel 110-125 VAC, 50/60 Hz	



CD0285



REV. DESC: ADD OPTIONAL LEAD COLORS			
REV. LTR: C	BY: JLP	REVISED: 11/06/00 9:26	TDR: 0224328
G8Z0C0		FILE: AAA00028991	REF: -
		MTL: -	

BALDOR ELECTRIC Co.

TYPE C, SV, REV, 3 LDS, VOLT BOOST WDGS, CARBIDE TOOL GRNDR

CD0285