

BALDOR® • RELIANCE®

Customer information packet 342

.25/.06HP, 3000/1500RPM, 1PH, 50HZ, 3424S

Specifications

Frequency	50.00 Hz
Nameplate Output	.25/.06
Number of Poles	2
	4
Phase	1
Product Style	DENTAL LATHE
Speed	1500 rpm
	3000 rpm
Voltage	220 V
	240 V

Part detail

Revision	AL
Type	AC
Mech. spec.	L34-25
Base	
Status	PRD/A
Elec. spec.	L4WGW025
Layout	L4LY0025
Eff. date	06-23-2023
CD Diagram	CD1491
Poles	02/04
Leads	9#18
Proprietary	False
Created date	01-01-0001

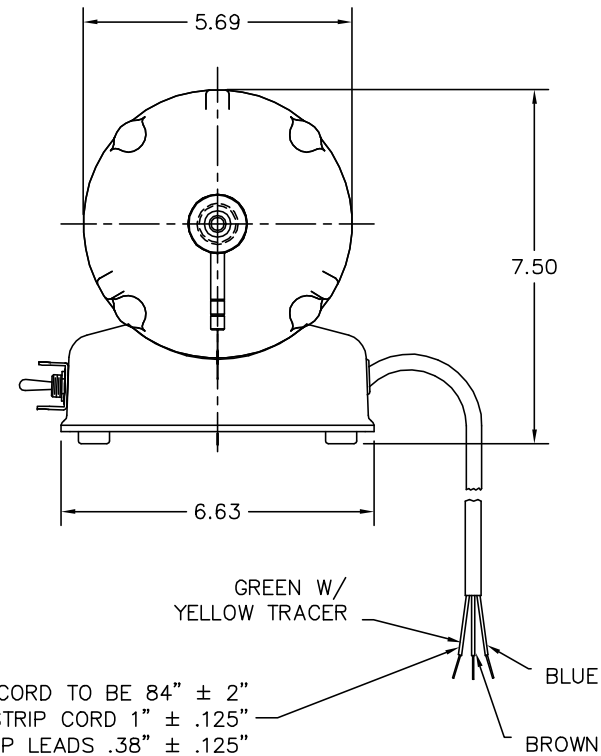
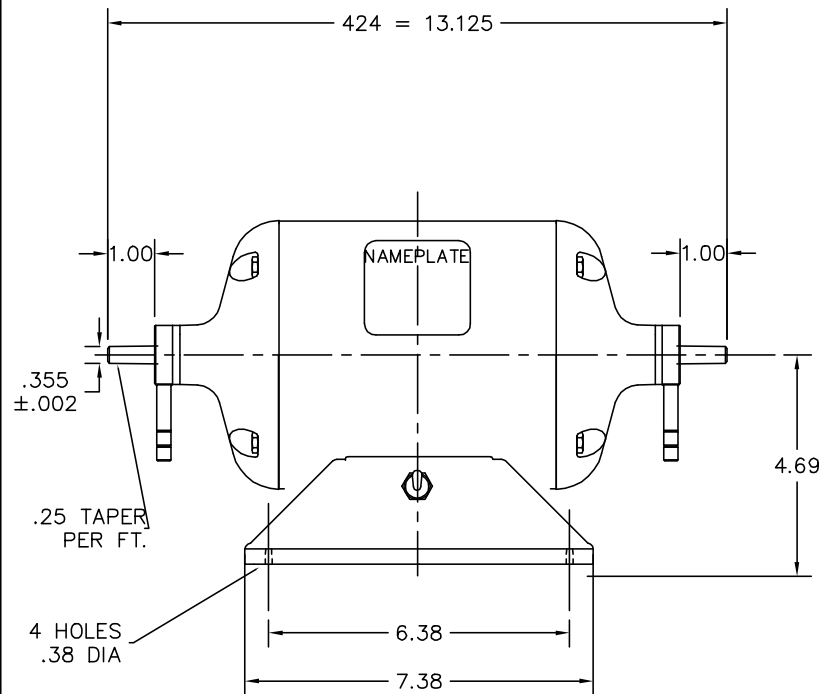
Nameplate

NP3351L			
CAT.NO.	342		
SPEC.	L34-25W25		
HP	.25/.06		
VOLTS	220-240		
PHASE	1	AMPS	1.5/1.2
CYCLE	50		
RPM	3000/1500		
CL	B		
RATING	40C AMB-CONT		
SERIAL			

Accessories

Part number	Description	Multiplier
R1	DR-3544 R1 RH CHUCK	A8
R2	DR-3546B R2 RH WHEEL CHUCK	A8
R5A	BURR CHUCK-RH	A8
R6	ARBOR BAND CHUCK	A8
L3	DR-3545 LH HD WHEEL CHUCK	A8
L4	DR-3547B L4 LH SF WHEEL CHUCK	A8

L4LY0025



CUSTOMER IS RESPONSIBLE FOR DETERMINING THAT BALDOR'S PRODUCT WILL PERFORM SUITABLY IN THE INTENDED APPLICATION.

REV. DESC: REPLACE "DENTAL" WITH "POLISHING" TO DESCRIPTION		
REV. LTR: E	VERSION: 02	TDR: 00000826174
FILE: \AAA\00091\086	REVISED: 09: 29:15 11/14/2013	BY: ENMAIYO
MTL: -	© □	

BALDOR

SPL 34 POLISHING LATHE TENV 424S TWO SPEED

SH 1 of 1

L4LY0025

