

BALDOR • RELIANCE

Customer information packet 340

.25/.06HP, 3600/1800RPM, 1PH, 60HZ, 3424S

Specifications

Frequency	60.00 Hz
Nameplate Output	.25/.06
Number of Poles	2
	4
Phase	1
Product Style	DENTAL LATHE
Speed	1800 rpm
	3600 rpm
Voltage	115 V

Part detail

Revision	AW
Type	AC
Mech. spec.	L34-24
Base	
Status	PRD/A
Elec. spec.	L4WGW024
Layout	L4LY0024
Eff. date	06-23-2023
CD Diagram	CD1491
Poles	02/04
Leads	9#18
Proprietary	False
Created date	01-01-0001

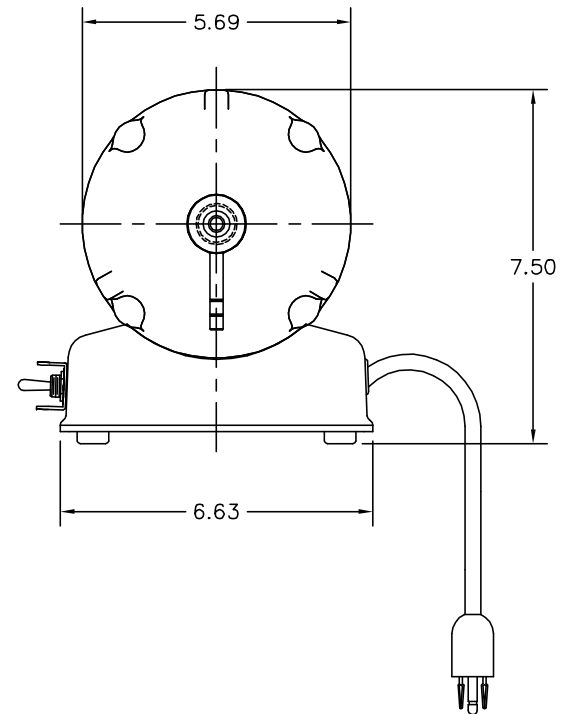
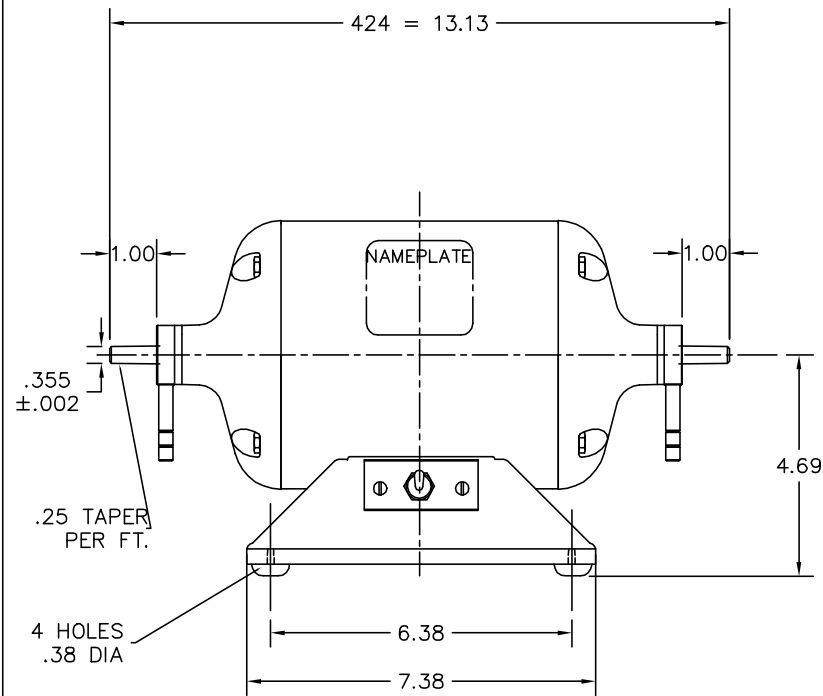
Nameplate

NP3351L			
CAT.NO.	340		
SPEC.	L34-24W24		
HP	.25/.06		
VOLTS	115		
PHASE	1	AMPS	2.9/2
CYCLE	60		
RPM	3600/1800		
CL	B		
RATING	40C AMB-CONT		
SERIAL			

Accessories

Part number	Description	Multiplier
R1	DR-3544 R1 RH CHUCK	A8
R2	DR-3546B R2 RH WHEEL CHUCK	A8
R5A	BURR CHUCK-RH	A8
R6	ARBOR BAND CHUCK	A8
L3	DR-3545 LH HD WHEEL CHUCK	A8
L4	DR-3547B L4 LH SF WHEEL CHUCK	A8

L4LY0024



CUSTOMER IS RESPONSIBLE FOR DETERMINING THAT BALDOR'S PRODUCT WILL PERFORM SUITABLY IN THE INTENDED APPLICATION.

REV. DESC: REPLACE "DENTAL" WITH "POLISHING" TO DESCRIPTION		
REV. LTR: F	VERSION: 01	TDR: 00000826174
FILE: \AAA\00045\972	REVISED: 09: 28: 43 11/14/2013	BY: ENMAIYO
MTL: -		

BALDOR

SPL 34 POLISHING LATHE 115 VOLTS TENV 424S 2 SPEED

SH 1 of 1

L4LY0024

