

ABB BALDOR RELIANCE III



Customer information packet 334B

24M 4P BUFFER

Specifications

Enclosure	TENV
Frame Material	Steel
Frequency	50.00 Hz 60.00 Hz 50.00 Hz 60.00 Hz
Motor Letter Type	Three Phase
Nameplate Output	.75
Number of Poles	4 4
Output @ Frequency	.750 HP @ 60 HZ .750 HP @ 50 HZ
Phase	3 3
Shaft Diameter	0.750 IN 0.750 IN
Speed	1500 rpm 1800 rpm 1500 rpm 1800 rpm
Synchronous Speed @ Frequency	1800 RPM @ 60 HZ
Voltage	208 V 230 V 460 V
Voltage @ Frequency	208.0 V @ 50 HZ 208.0 V @ 60 HZ 460.0 V @ 60 HZ 460.0 V @ 50 HZ 230.0 V @ 60 HZ 230.0 V @ 50 HZ
Agency Approvals	CSA
Ambient Temperature	40 °C
Base Indicator	Rigid

Part Detail

Revision	A
Type	AC
Mech. spec.	G8-170
Base	
Status	PRD/A
Elec. spec.	G8WG0377
Layout	G8LY0170
Eff. date	07-17-2024
CD Diagram	CD0005
Poles	04
Leads	9#18
Proprietary	False
Created date	02-23-2023

Bearing Grease Type	Polyrex EM (-20F +300F)
Current @ Voltage	3.000 A @ 230.0 V 3.000 A @ 208.0 V 1.500 A @ 460.0 V
Design Code	-
Duty Rating	CONT
Feedback Device	NO FEEDBACK
Insulation Class	B
KVA Code	-
Motor Lead Quantity/Wire Size	9 @ 18 AWG
Motor Standards	Other
Motor Type	3524M
Mounting Arrangement	F1
Overall Length	28.38 IN
Product Family	Buffer
Service Factor	1.00
Shaft Rotation	Phase Seq-Opp Std Rot (CWOE)
Shaft Slinger Indicator	No Slinger
Speed Code	Single Speed
Starting Method	Direct on line
Thermal Device - Winding	None
Winding Thermal 1	None
Winding Thermal 2	None

Nameplate

NP3411L			
CAT.NO.	334B		
HP	.75	VOLTS	208-230/460
PHASE	3	AMPS	3/1.5
HZ	50//60	RPM	1500//1800
SER.NO			
SPEC.	G8-170G0377		
BLANK			

Accessories

Part number	Description	Multiplier
GA16	PEDESTAL INDUSTRIAL, CAST IRON 6" - 10"	A8
GA14	PEDESTAL FABRICATED STEEL W/SHELVES	A8
GA20	PEDESTAL INDUSTRIAL, CAST IRON 8"-14"	A8
GA20E	PEDESTAL LIGHT INDUSTRIAL,STEEL	A8
A82	8" COTTON BUFFING WHEEL 3/4 " BORE	A8

ABB Motors and Mechanical Inc.

WINDING # G8WG0377

0.75 HP 3 PH 50 HZ 1460 RPM 460 V G824M

Typical performance - not guaranteed values.

TORQUES (LB-FT): PO=15.71 PU=12.63 LR=14.64 LRA=13.78

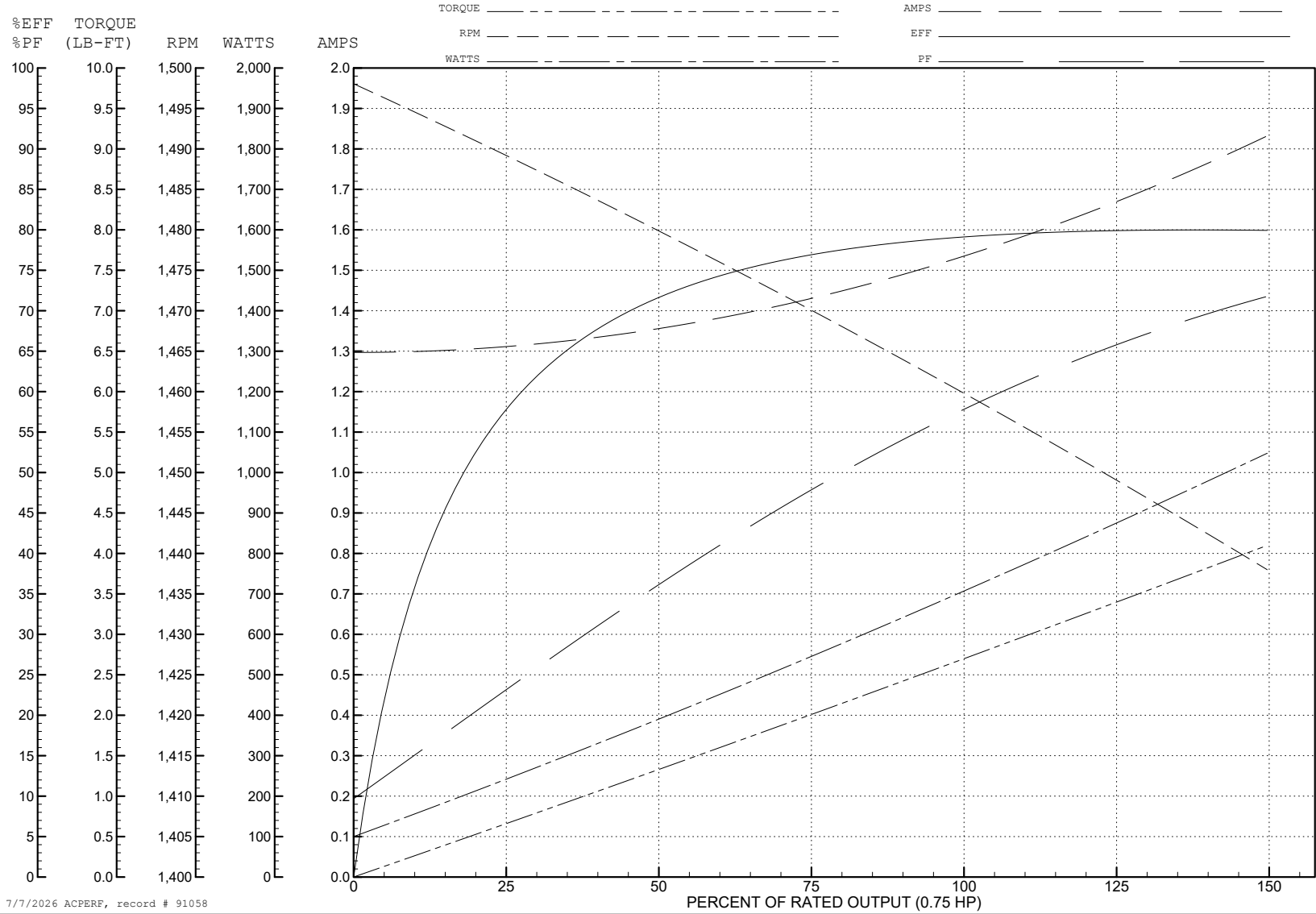


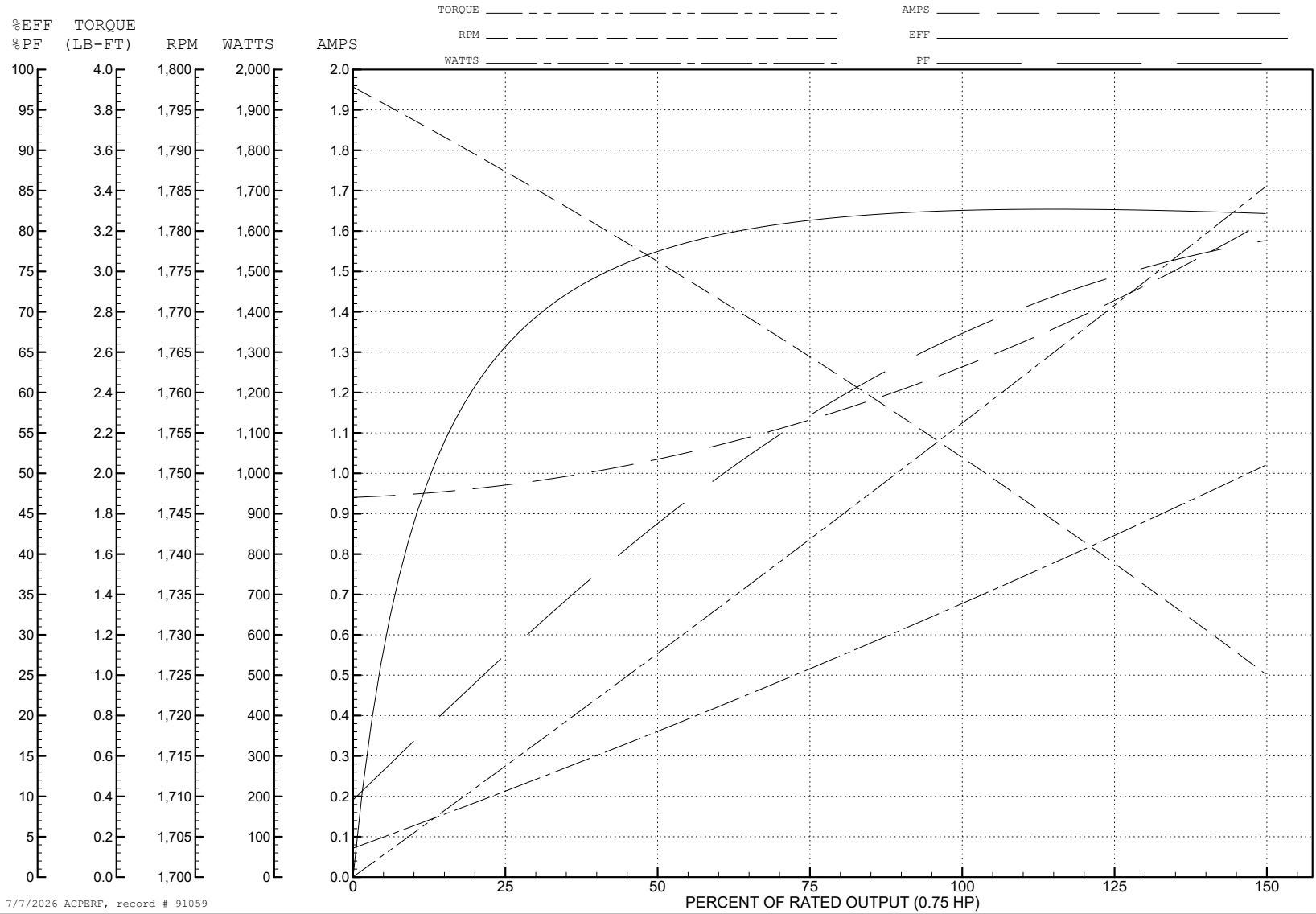
ABB Motors and Mechanical Inc.

WINDING # G8WG0377

0.75 HP 3 PH 60 HZ 1752 RPM 460 V G824M

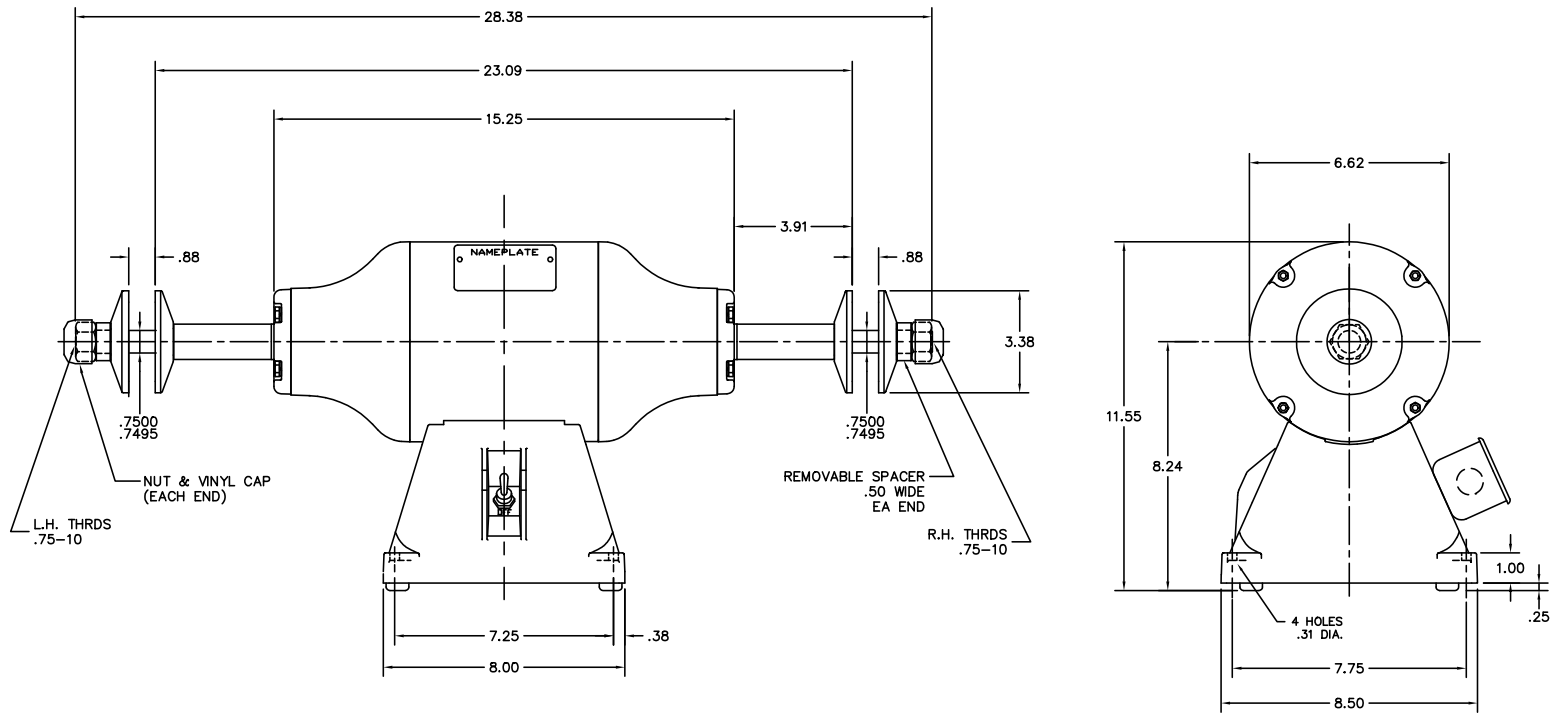
Typical performance - not guaranteed values.

TORQUES (LB-FT): PO=12.14 PU=9.18 LR=10.64 LRA=12.71



7/7/2026 ACPERF, record # 91059

G8-0170



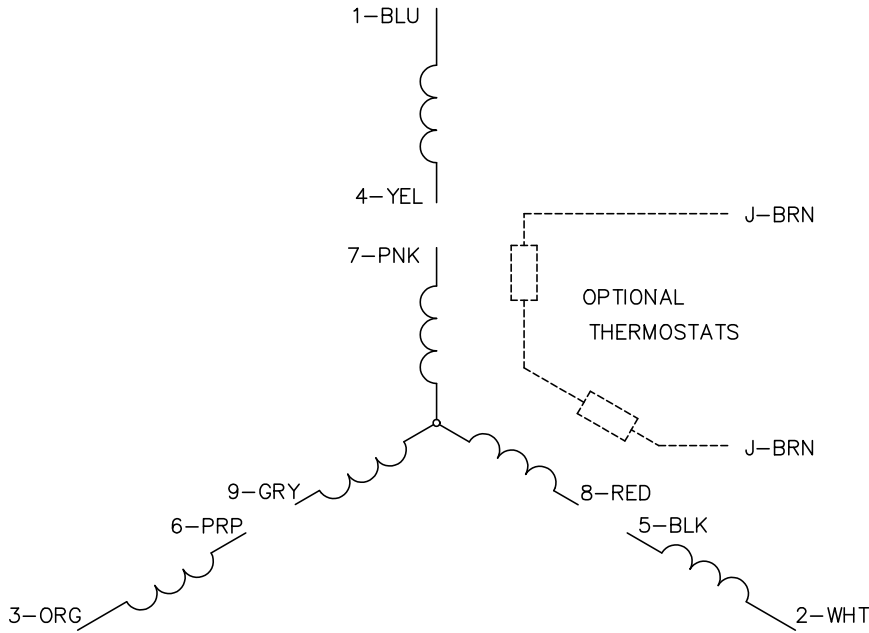
G8-0170

MATERIAL: -		
REV: F	UPDATE AND LOAD TO CAD (SEE EC09)	
SCALE: .3	BY: JED	REVISED: 06/11/98
FILE: AAA00051089	TDR: 0140467	

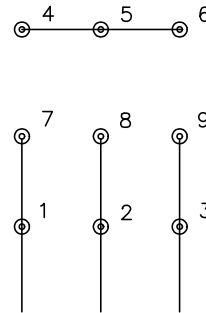
BALDOR ELECTRIC Co.

8" BUFFER 524M

CD0005

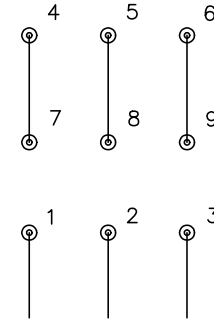


LOW VOLTAGE
(2Y)



LINE

HIGH VOLTAGE
(1Y)



LINE

NOTES:

1. INTERCHANGE ANY TWO LINE LEADS TO REVERSE ROTATION.
2. OPTIONAL THERMOSTATS ARE PROVIDED WHEN SPECIFIED.
3. ACTUAL NUMBER OF INTERNAL PARALLEL CIRCUITS MAY BE A MULTIPLE OF THOSE SHOWN ABOVE.
4. LEAD COLORS ARE OPTIONAL. LEADS MUST ALWAYS BE NUMBERED AS SHOWN.

CD0005

REV. DESC: REVISE TO SHOW OPTIONAL COLORS			
REV. LTR: E	BY: JLP	REVISED: 01/19/99 10:15	TDR: 0171435
S00000		FILE: AAA00005140	MDL: -
		MTL: -	

BALDOR ELECTRIC Co.

3PH, DV, 9 LEADS