

# **ABB BALDOR RELIANCE III**

---

## **Customer information packet** 333B

.75HP, 3600RPM, 1PH, 60HZ, 3524C, BUFF

**Specifications**

<b>Enclosure</b>	TENV
<b>Frame Material</b>	Steel
<b>Frequency</b>	60.00 Hz 60.00 Hz
<b>Motor Letter Type</b>	Oil Capacitor Start and Run
<b>Nameplate Output</b>	.75
<b>Number of Poles</b>	2 2
<b>Output @ Frequency</b>	.750 HP @ 60 HZ
<b>Phase</b>	1 1
<b>Product Style</b>	BUFFER
<b>Speed</b>	3600 rpm 3600 rpm
<b>Synchronous Speed @ Frequency</b>	3600 RPM @ 60 HZ
<b>Voltage</b>	115 V 230 V
<b>Voltage @ Frequency</b>	230.0 V @ 60 HZ 115.0 V @ 60 HZ
<b>Agency Approvals</b>	UR
<b>Ambient Temperature</b>	40 °C
<b>Base Indicator</b>	Rigid
<b>Bearing Grease Type</b>	Polyrex EM (-20F +300F)
<b>Current @ Voltage</b>	2.400 A @ 230.0 V 4.800 A @ 115.0 V
<b>Duty Rating</b>	CONT
<b>Feedback Device</b>	NO FEEDBACK
<b>Insulation Class</b>	B
<b>KVA Code</b>	-
<b>Motor Lead Quantity/Wire Size</b>	4 @ 18 AWG
<b>Motor Standards</b>	Other
<b>Motor Type</b>	3524C

**Part Detail**

<b>Revision</b>	BM
<b>Type</b>	AC
<b>Mech. spec.</b>	G8-169
<b>Base</b>	
<b>Status</b>	PRD/A
<b>Elec. spec.</b>	G8WG0011
<b>Layout</b>	G8LY0169
<b>Eff. date</b>	06-01-2026
<b>CD Diagram</b>	CD0279
<b>Poles</b>	02
<b>Leads</b>	4#18 ALL LDS 9" FROM,0#0 ENDTURNS Y
<b>Proprietary</b>	False
<b>Created date</b>	08-08-2007

<b>Mounting Arrangement</b>	F1
<b>Overall Length</b>	28.37 IN
<b>Product Family</b>	Buffer
<b>Service Factor</b>	1.00
<b>Shaft Extension Location</b>	Double Shaft
<b>Shaft Rotation</b>	Fixed Opposite Standard
<b>Shaft Slinger Indicator</b>	No Slinger
<b>Speed Code</b>	Single Speed
<b>Starting Method</b>	Direct on line
<b>Thermal Device - Winding</b>	None

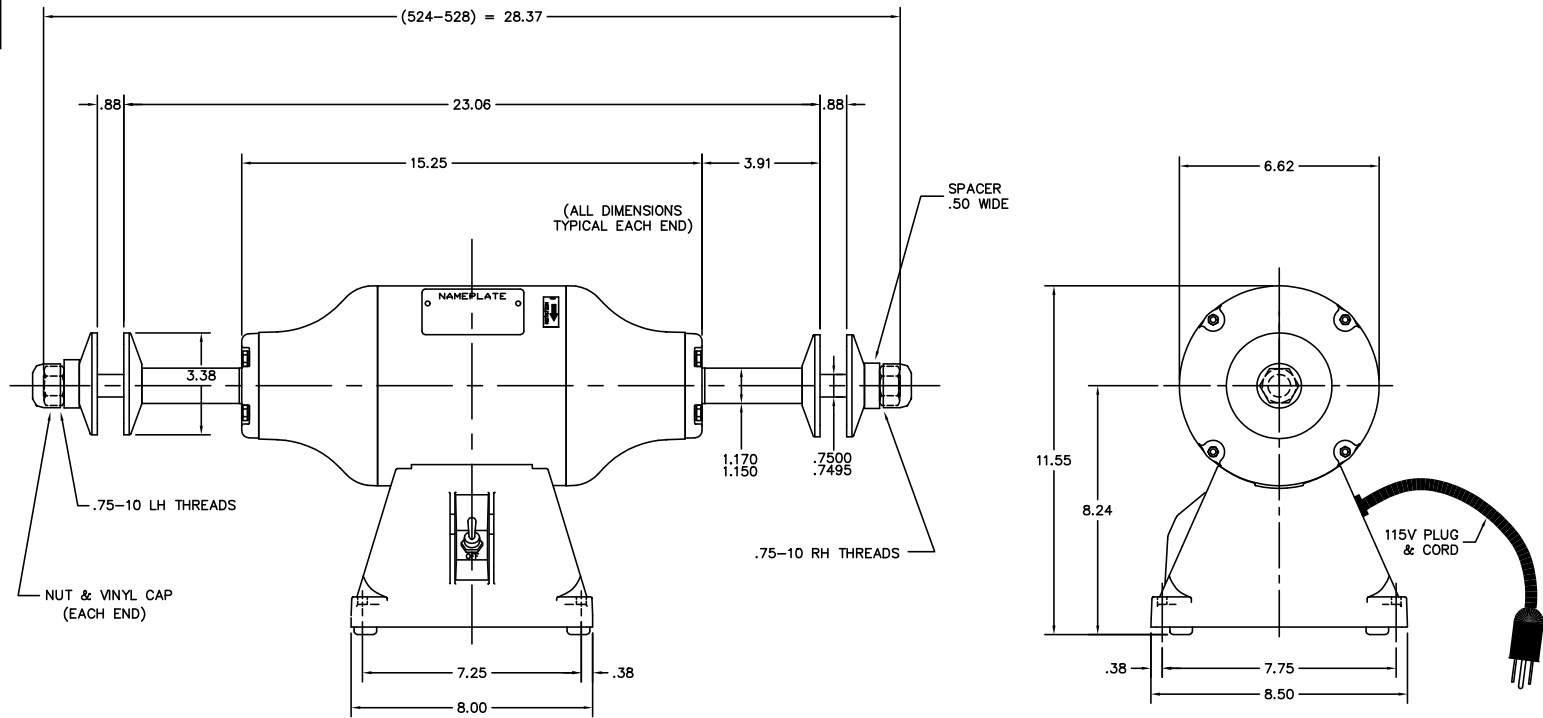
**Nameplate**

<b>NP3352L</b>			
<b>CAT.NO.</b>	333B		
<b>HP</b>	.75	<b>VOLTS</b>	115/230
<b>PHASE</b>	1	<b>AMPS</b>	4.8/2.4
<b>HZ</b>	60	<b>RPM</b>	3600
<b>SER.NO</b>			
<b>SPEC.</b>	G8-169-11		
<b>BLANK</b>			

**Accessories**

<b>Part number</b>	<b>Description</b>	<b>Multiplier</b>
GA16	PEDESTAL INDUSTRIAL, CAST IRON 6" - 10"	A8
GA14	PEDESTAL FABRICATED STEEL W/SHELVES	A8
GA20	PEDESTAL INDUSTRIAL, CAST IRON 8"-14"	A8
GA20E	PEDESTAL LIGHT INDUSTRIAL,STEEL	A8
A82	8" COTTON BUFFING WHEEL 3/4 " BORE	A8
BQ1-015-CC	1PH Brake, NEMA 1,110-125 VAC, 50/60Hz	P1
BQ1-015-CP	1PH Brake, Panel 110-125 VAC, 50/60 Hz	

G8-0169



G8-0169

CUST. NAME				CUST. P.O.		REMARKS:			<b>BALDOR ELECTRIC Co.</b> STD 8" BUFFER (524C)
MODEL	INSUL	AMB	H.P.	MTG	REV: F   UPDATE & LOAD TO ACAD, IDL TO EM21				
R.P.M.	VOLTS	ENCL	PHASE	FREQ	SCALE: .3	BY: OD	REVISED: 11/14/96		
FRAME	TYPE	CERTIFIED BY		FILE: AAA00035983	TDR: 0103074				

