

# **ABB BALDOR RELIANCE III**

---

## **Customer information packet** 330B

.75HP, 3000/3600RPM, 3PH, 50/60HZ, 3524M

**Specifications**

<b>Enclosure</b>	TENV
<b>Frame Material</b>	Steel
<b>Frequency</b>	50.00 Hz 60.00 Hz 50.00 Hz 60.00 Hz
<b>Motor Letter Type</b>	Three Phase
<b>Nameplate Output</b>	.75
<b>Number of Poles</b>	2 2
<b>Output @ Frequency</b>	.750 HP @ 60 HZ .750 HP @ 50 HZ
<b>Phase</b>	3 3
<b>Product Style</b>	GRINDER
<b>Speed</b>	3000 rpm 3600 rpm 3000 rpm 3600 rpm
<b>Synchronous Speed @ Frequency</b>	3600 RPM @ 60 HZ
<b>Voltage</b>	208 V 230 V 460 V
<b>Voltage @ Frequency</b>	230.0 V @ 50 HZ 208.0 V @ 60 HZ 208.0 V @ 50 HZ 230.0 V @ 60 HZ 460.0 V @ 50 HZ 460.0 V @ 60 HZ
<b>Agency Approvals</b>	CSA UR
<b>Ambient Temperature</b>	40 °C
<b>Base Indicator</b>	Rigid

**Part Detail**

<b>Revision</b>	AZ
<b>Type</b>	AC
<b>Mech. spec.</b>	G8-170
<b>Base</b>	
<b>Status</b>	PRD/A
<b>Elec. spec.</b>	G8WG0013
<b>Layout</b>	G8LY0170
<b>Eff. date</b>	12-15-2021
<b>CD Diagram</b>	CD0005
<b>Poles</b>	02
<b>Leads</b>	9#18 12" LG Y
<b>Proprietary</b>	False
<b>Created date</b>	08-08-2007

<b>Current @ Voltage</b>	.700 A @ 460.0 V 1.400 A @ 230.0 V 1.500 A @ 208.0 V
<b>Duty Rating</b>	CONT
<b>Insulation Class</b>	B
<b>KVA Code</b>	-
<b>Motor Lead Quantity/Wire Size</b>	9 @ 18 AWG
<b>Motor Standards</b>	Other
<b>Motor Type</b>	3524M
<b>Mounting Arrangement</b>	F1
<b>Product Family</b>	Buffer
<b>Service Factor</b>	1.00
<b>Shaft Extension Location</b>	Double Shaft
<b>Shaft Rotation</b>	Phase Seq-Opp Std Rot (CWODE)
<b>Speed Code</b>	Single Speed
<b>Starting Method</b>	Direct on line
<b>Thermal Device - Winding</b>	None

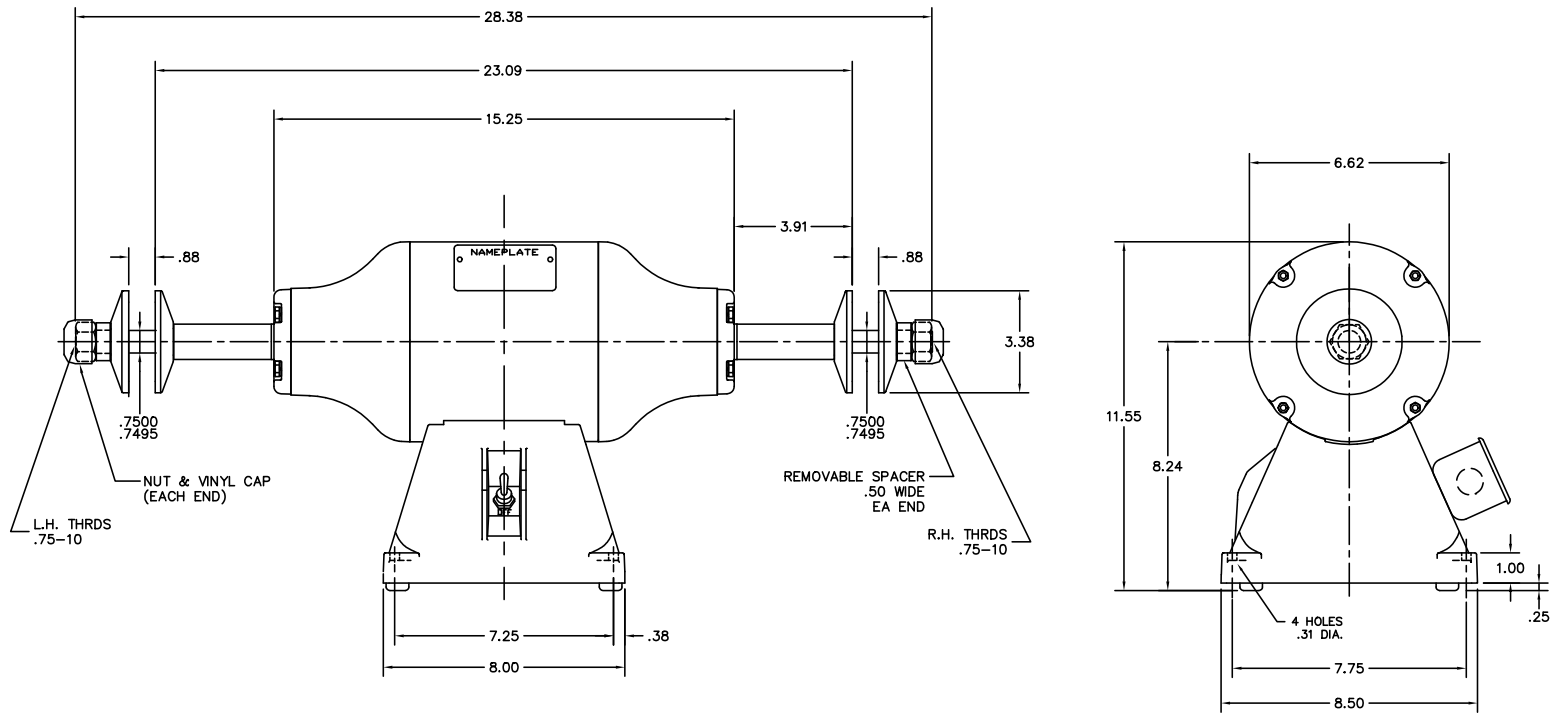
**Nameplate**

<b>NP3411L</b>			
<b>CAT.NO.</b>	330B		
<b>HP</b>	.75	<b>VOLTS</b>	208-230/460
<b>PHASE</b>	3	<b>AMPS</b>	1.5-1.4/.7
<b>HZ</b>	50//60	<b>RPM</b>	3000//3600
<b>SER.NO</b>			
<b>SPEC.</b>	G8-170-13		
<b>BLANK</b>			

**Accessories**

<b>Part number</b>	<b>Description</b>	<b>Multiplier</b>
GA16	PEDESTAL INDUSTRIAL, CAST IRON 6" - 10"	A8
GA14	PEDESTAL FABRICATED STEEL W/SHELVES	A8
GA20	PEDESTAL INDUSTRIAL, CAST IRON 8"-14"	A8
GA20E	PEDESTAL LIGHT INDUSTRIAL,STEEL	A8
A82	8" COTTON BUFFING WHEEL 3/4 " BORE	A8

G8-0170



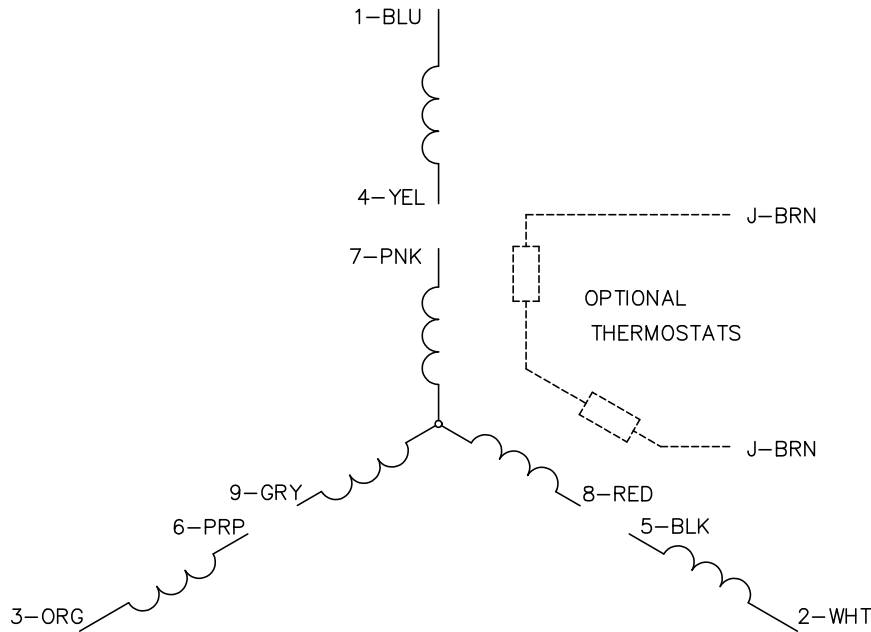
MATERIAL: -		
REV: F UPDATE AND LOAD TO CAD (SEE EC09)		
SCALE: .3	BY: JED	REVISED: 06/11/98
FILE: AAA00051089	TDR: 0140467	

**BALDOR ELECTRIC Co.**

8" BUFFER 524M

G8-0170

CD0005

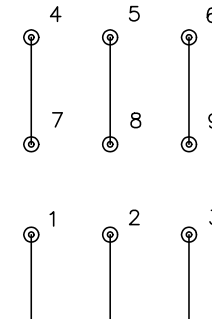


LOW VOLTAGE  
(2Y)



LINE

HIGH VOLTAGE  
(1Y)



LINE

NOTES:

1. INTERCHANGE ANY TWO LINE LEADS TO REVERSE ROTATION.
2. OPTIONAL THERMOSTATS ARE PROVIDED WHEN SPECIFIED.
3. ACTUAL NUMBER OF INTERNAL PARALLEL CIRCUITS MAY BE A MULTIPLE OF THOSE SHOWN ABOVE.
4. LEAD COLORS ARE OPTIONAL. LEADS MUST ALWAYS BE NUMBERED AS SHOWN.

CD0005

REV. DESC: REVISE TO SHOW OPTIONAL COLORS			
REV. LTR: E	BY: JLP	REVISED: 01/19/99 10:15	TDR: 0171435
S00000		FILE: AAA00005140	MDL: -
		MTL: -	

**BALDOR ELECTRIC Co.**

3PH, DV, 9 LEADS