

**BALDOR® • RELIANCE™**

---

# Customer information packet 32965

OUTPUTHP, MOTOR-RPMRPM, DC, 2532P,

**Specifications**

<b>Agency Approvals</b>	CE
	CSA
	UR
<b>Motor Lead Quantity/Wire Size</b>	2 @ 16 AWG
<b>Overall Length</b>	0.00 IN
<b>Shaft Diameter</b>	0.000 IN

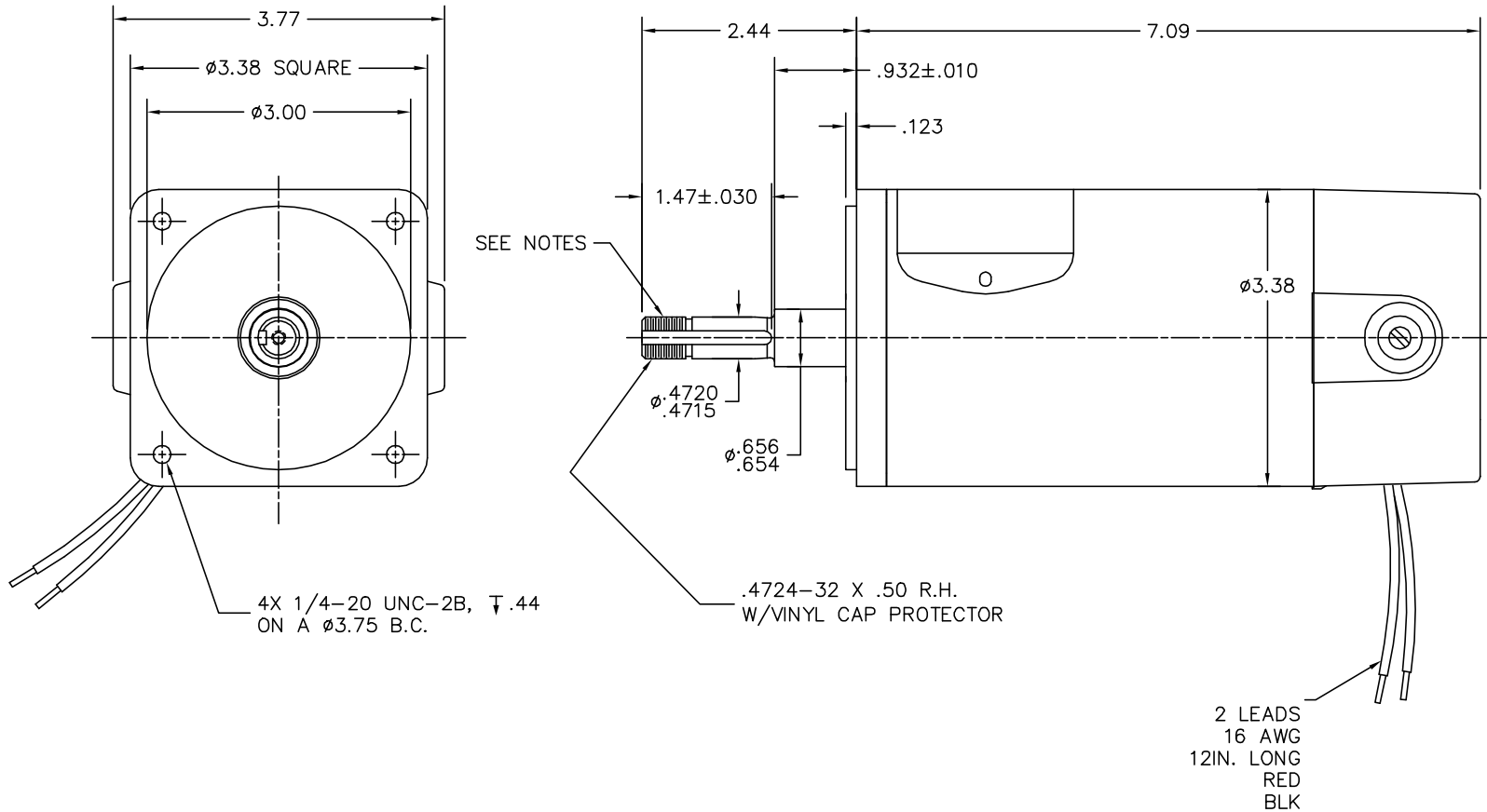
**Part detail**

<b>Revision</b>	G
<b>Type</b>	DC
<b>Mech. spec.</b>	
<b>Base</b>	
<b>Status</b>	INA/A
<b>Elec. spec.</b>	
<b>Layout</b>	32965
<b>Eff. date</b>	09-14-2009
<b>CD Diagram</b>	
<b>Poles</b>	00
<b>Leads</b>	2#16 Y
<b>Proprietary</b>	False
<b>Created date</b>	01-01-0001

**Nameplate**

NP1065				
<b>SPENCER NO.</b>				
<b>SPEC.</b>	32965			
<b>RATING</b>	CONT			
<b>FRAME</b>	AH-0	<b>SER.</b>	DATE CODE	
<b>HP</b>	.25 TE			
<b>VOLTS</b>	24DC			
<b>AMPS</b>	9.6			
<b>RPM</b>	3900			
<b>HZ</b>	DC	<b>PH</b>		<b>CLASS</b> F
<b>SER.F.</b>		<b>DES</b>		<b>CODE</b>
<b>BLANK</b>				
<b>APRV-UL</b>	<b>APRV-CSA</b>		<b>APRV-CE</b>	

32965



NOTES:

1.) ENDMILLED KEYWAY W/ 4MM X .75" KEY

CUSTOMER IS RESPONSIBLE FOR DETERMINING THAT MOTOR PERFORMANCE IS SUITABLE IN THE APPLICATION.

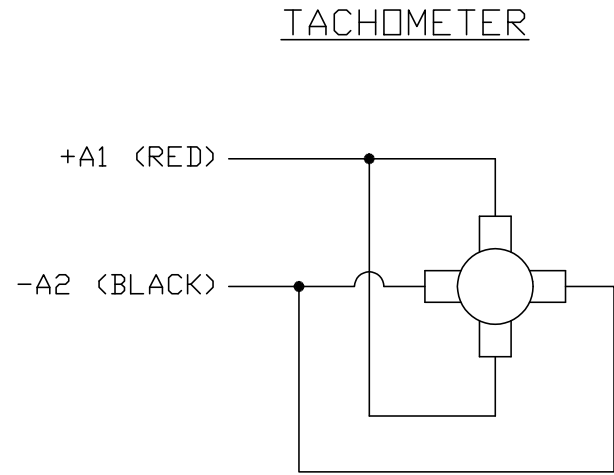
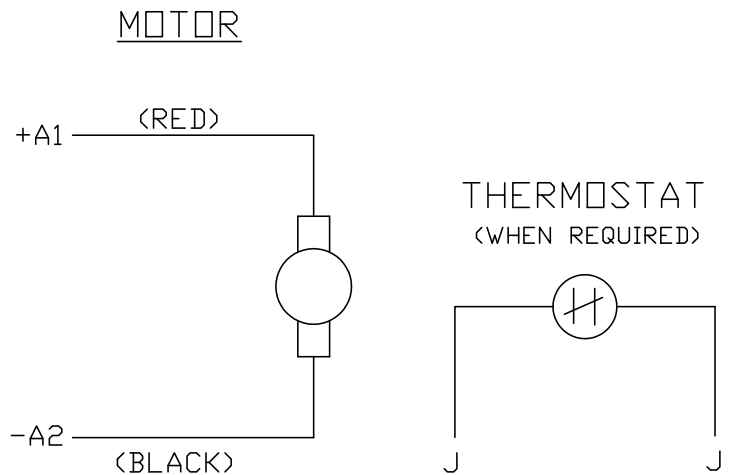
REV. DESC: NEW			
REV. LTR: -	BY: YYP	REVISED: 12:04:35 06/13/2001	TDR: 241216
32965		FILE: CKA00016228	REF: 32965
		MTL: -	

BALDOR ELECTRIC Co.

LAYOUT,1K MTR TENV GP NONE .655 N-01 THDS

32965

CD0194



NOTES:

1. CCW ROTATION AS SHOWN FACING COMMUTATOR END. TO REVERSE MOTOR ROTATION OR TACHOMETER OUTPUT POLARITY INTERCHANGE LEADS A1(RED) & A2(BLACK)
2. LEAD COLORS FOR REFERENCE ONLY & NOT SPECIFIED BY THIS DRAWING. LEAD COLORS SPECIFIED BY LAYOUT DRAWING & BILL OF MATERIAL ONLY.

MATL: -			
REV: E	ADDED NOTE "LEAD COLORS FOR REFERENCE ONLY &..."		
CD0194	SCALE: -	BY: CK	REVISED: 07/28/95
	FILE: AAA00004503	TDR: 0078737	

**BALDOR ELECTRIC Co.**

CD TYPE P DC PERMANENT MAGNET MOTORS AND TACHOMETERS

CD0194