

**BALDOR • RELIANCE**

---

# Customer information packet

## 248-153TD

1.5HP, 3600RPM, 3PH, 60HZ, 3516M, 3516M, TEFC

**Specifications**

<b>Frequency</b>	60.00 Hz
<b>Number of Poles</b>	2
<b>Phase</b>	3
<b>Product Style</b>	PIVOT BELT SANDER
<b>Speed</b>	3450 rpm
<b>Voltage</b>	208 V
	230 V
	460 V

**Part detail**

<b>Revision</b>	AT
<b>Type</b>	AC
<b>Mech. spec.</b>	B2-5
<b>Base</b>	
<b>Status</b>	PRD/A
<b>Elec. spec.</b>	35WG0082
<b>Layout</b>	B2LY0005
<b>Eff. date</b>	12-15-2021
<b>CD Diagram</b>	CD0005
<b>Poles</b>	02
<b>Leads</b>	9#18
<b>Proprietary</b>	False
<b>Created date</b>	01-01-0001

**Nameplate**

<b>NP3118</b>			
<b>CAT.NO.</b>	248-153TD		
<b>HP</b>	1.5	<b>VOLTS</b>	208-230/460
<b>PHASE</b>	3	<b>AMPS</b>	5-4.6/2.3
<b>HZ</b>	60	<b>RPM</b>	3450
<b>SER.NO</b>			
<b>SPEC.</b>	B2-5C		

**Accessories**

<b>Part number</b>	<b>Description</b>	<b>Multiplier</b>
GA16	PEDESTAL INDUSTRIAL, CAST IRON 6" - 10"	A8
GA14	PEDESTAL FABRICATED STEEL W/SHELVES	A8
GA20	PEDESTAL INDUSTRIAL, CAST IRON 8"-14"	A8
GA20E	PEDESTAL LIGHT INDUSTRIAL,STEEL	A8
AB248	2' X 48' 80 GRIT GRINDER BELT	A8

**AC Induction Motor Performance Data**

Record # 8025

Typical performance - not guaranteed values

Winding: 35WG0082-R001		Type: 3516M	Enclosure: TEFC	
<b>Nameplate Data</b>			<b>460 V, 60 Hz: High Voltage Connection</b>	
Rated Output (HP)	1.5	Full Load Torque	2.3 LB-FT	
Volts	208-230/460	Start Configuration	direct on line	
Full Load Amps	5-4.6/2.3	Breakdown Torque	9 LB-FT	
R.P.M.	3450	Pull-up Torque	6.5 LB-FT	
Hz	60 Phase	Locked-rotor Torque	7.2 LB-FT	
NEMA Design Code	B KVA Code	Starting Current	16 A	
Service Factor (S.F.)	1.15	No-load Current	1.4 A	
NEMA Nom. Eff.	75.5 Power Factor	Line-line Res. @ 25°C	11.8 Ω	
Rating - Duty	40C AMB-CONT	Temp. Rise @ Rated Load	63°C	
S.F. Amps		Temp. Rise @ S.F. Load	70°C	
		Locked-rotor Power Factor	67	
		Rotor inertia	0.0443 LB-FT <sup>2</sup>	

**Load Characteristics 460 V, 60 Hz, 1.5 HP**

% of Rated Load	25	50	75	100	125	150	S.F.
Power Factor	43	59	71	79	83	86	81
Efficiency	52.2	66.7	72.7	75.5	76.2	76.1	75.9
Speed	3558	3528	3496	3461	3424	3382	3439
Line amperes	1.6	1.8	2.1	2.4	2.8	3.2	2.64

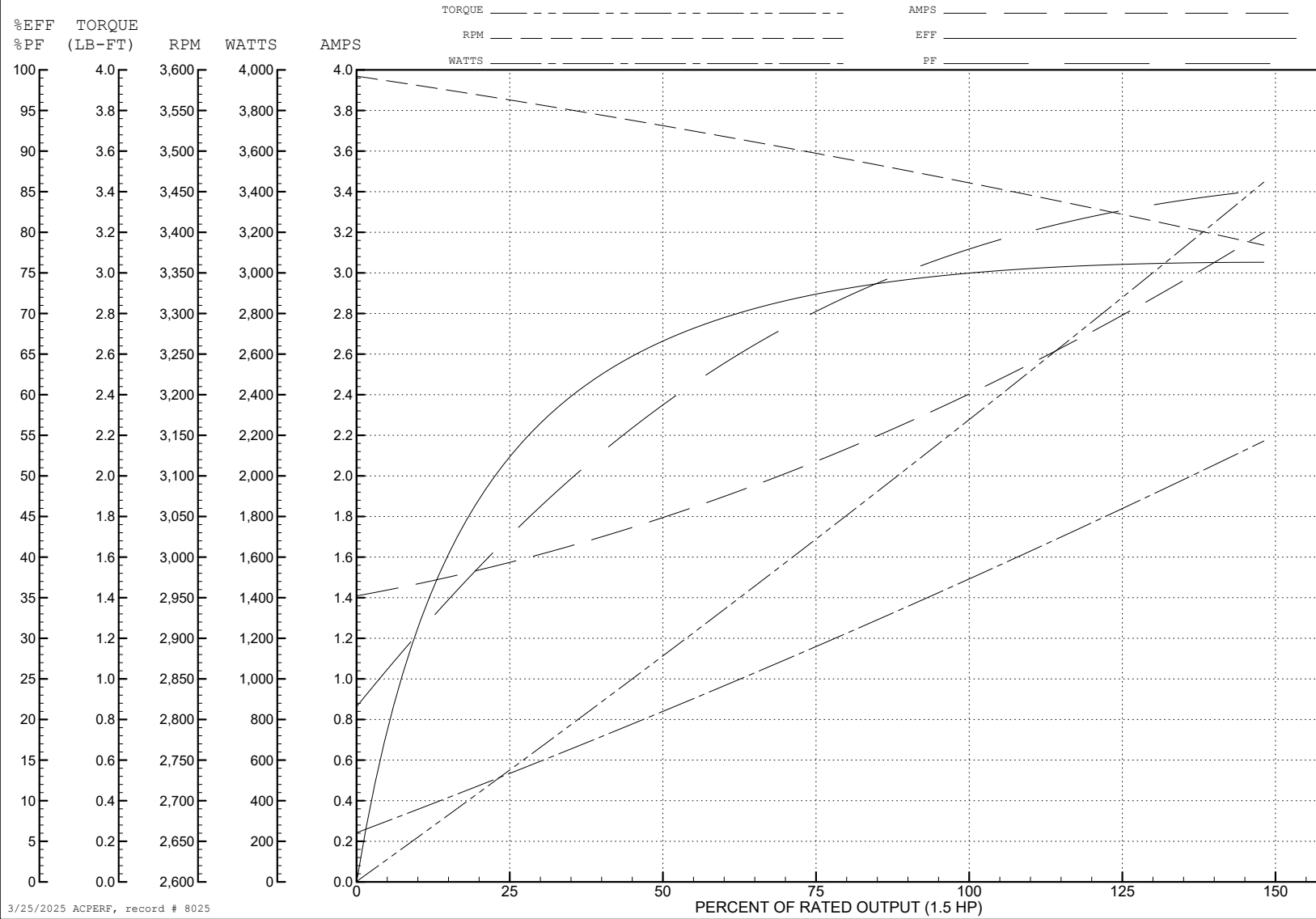
ABB Motors and Mechanical Inc.

WINDING # 35WG0082

Typical performance - not guaranteed values.

1.5 HP 3 PH 60 HZ 3450 RPM 460 V 3516M

TORQUES (LB-FT): PO=9 PU=6.5 LR=7.2 LRA=16



3/25/2025 ACPERF, record # 8025

**AC Induction Motor Performance Data**

Record # 20302

Typical performance - not guaranteed values

Winding: 35WG0082-R008		Type: 3516M	Enclosure: TEFC	
<b>Nameplate Data</b>			<b>460 V, 60 Hz: High Voltage Connection</b>	
Rated Output (HP)	1.5	Full Load Torque	2.3 LB-FT	
Volts	208-230/460	Start Configuration	direct on line	
Full Load Amps	5-4.6/2.3	Breakdown Torque	9 LB-FT	
R.P.M.	3450	Pull-up Torque	6.5 LB-FT	
Hz	60 Phase	Locked-rotor Torque	7.2 LB-FT	
NEMA Design Code	B KVA Code	Starting Current	16 A	
Service Factor (S.F.)	1.15	No-load Current	1.4 A	
NEMA Nom. Eff.	75.5 Power Factor	Line-line Res. @ 25°C	11.8 Ω	
Rating - Duty	40C AMB-CONT	Temp. Rise @ Rated Load	63°C	
S.F. Amps		Temp. Rise @ S.F. Load	70°C	
		Locked-rotor Power Factor	67	
		Rotor inertia	0.0443 LB-FT <sup>2</sup>	

**Load Characteristics 460 V, 60 Hz, 1.5 HP**

% of Rated Load	25	50	75	100	125	150	S.F.
Power Factor	43	59	71	79	83	86	81
Efficiency	52.2	66.7	72.7	75.5	76.2	76.1	75.9
Speed	3558	3528	3496	3461	3424	3382	3439
Line amperes	1.6	1.8	2.1	2.4	2.8	3.2	2.64

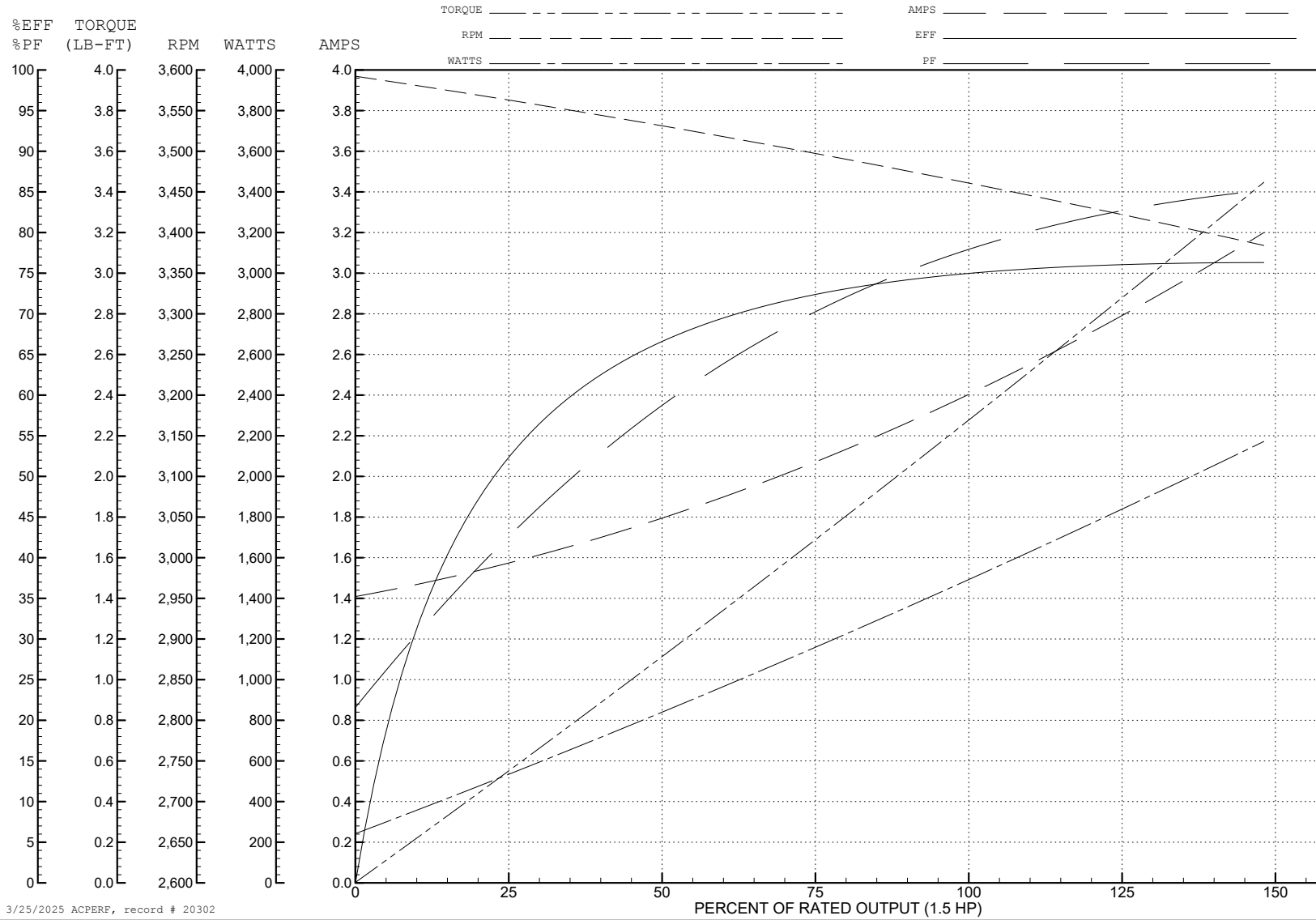
ABB Motors and Mechanical Inc.

WINDING # 35WG0082

Typical performance - not guaranteed values.

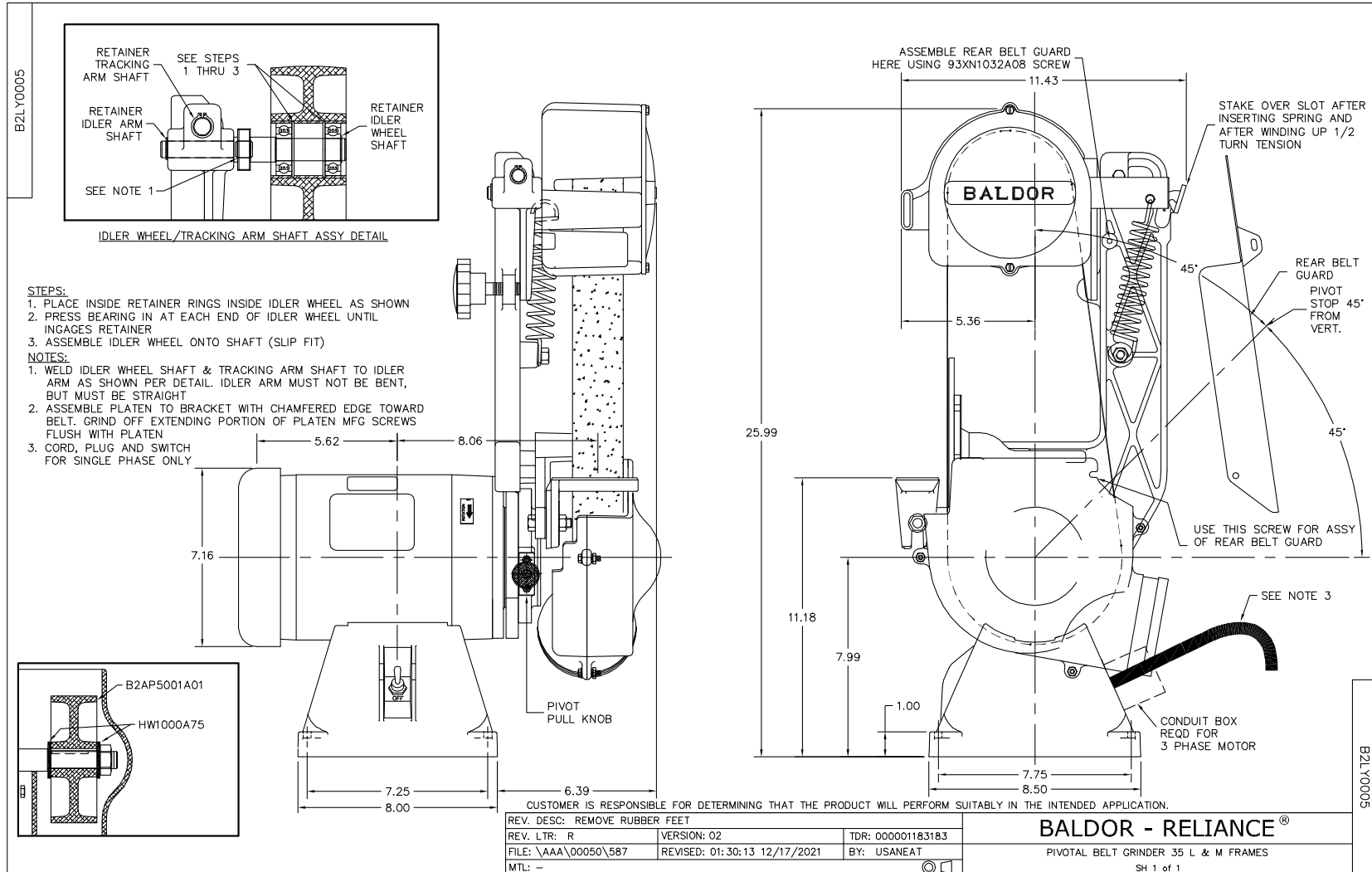
1.5 HP 3 PH 60 HZ 3450 RPM 460 V 3516M

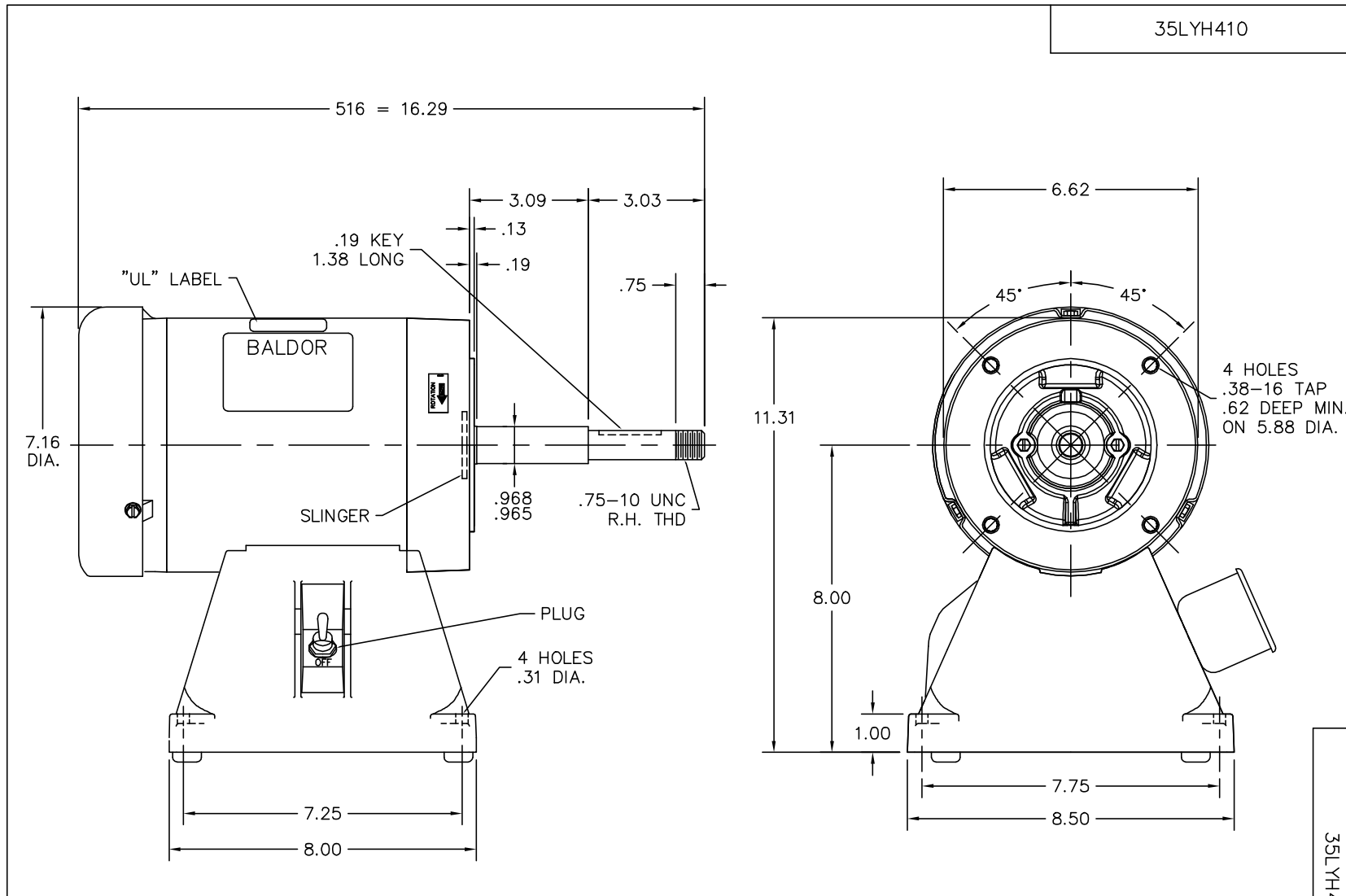
TORQUES (LB-FT) : PO=9 PU=6.5 LR=7.2 LRA=16



3/25/2025 ACPERF, record # 20302







35LYH410

35LYH410

CUSTOMER IS RESPONSIBLE FOR DETERMINING THAT BALDOR'S PRODUCT WILL PERFORM SUITABLY IN THE INTENDED APPLICATION.

REV. DESC: REPLACE ENDPLATES		
REV. LTR: U	VERSION: 01	TDR: 000001063223
FILE: \AAA\00044\103	REVISED: 08:19:42 03/07/2018	BY: FGCHAH1
MTL: -		

**BALDOR**

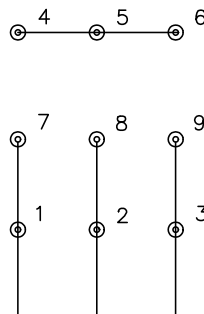
HORZ 56C TEFC 35M FOR B2-5 PIVOTAL BELT GRINDER

SH 1 of 1

CD0005

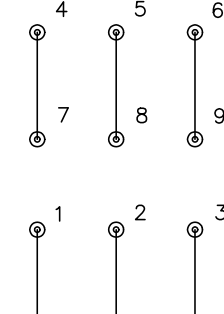


LOW VOLTAGE (2Y)



LINE

HIGH VOLTAGE (1Y)



LINE

NOTES:

1. INTERCHANGE ANY TWO LINE LEADS TO REVERSE ROTATION.
2. OPTIONAL THERMOSTATS ARE PROVIDED WHEN SPECIFIED.
3. ACTUAL NUMBER OF INTERNAL PARALLEL CIRCUITS MAY BE A MULTIPLE OF THOSE SHOWN ABOVE.
4. LEAD COLORS ARE OPTIONAL. LEADS MUST ALWAYS BE NUMBERED AS SHOWN.

CD0005

REV. DESC: REVISE TO SHOW OPTIONAL COLORS			
REV. LTR: E	BY: JLP	REVISED: 01/19/99 10:15	TDR: 0171435
S00000		FILE: AAA00005140	MDL: -
		MTL: -	

**BALDOR ELECTRIC Co.**

3PH, DV, 9 LEADS