

BALDOR • RELIANCE

Customer information packet

2048-151D

1.5HP, 3600RPM, 1PH, 60HZ, 3528L, 3528L, TEFC

Specifications

Frequency	60.00 Hz
Number of Poles	2
Phase	1
Product Style	BELT SANDER
Speed	3450 rpm
Voltage	115 V 230 V

Part detail

Revision	AV
Type	AC
Mech. spec.	B2-3
Base	
Status	PRD/A
Elec. spec.	35WGW811
Layout	B2LY0003
Eff. date	12-15-2021
CD Diagram	CD0093
Poles	02
Leads	4#16
Proprietary	False
Created date	01-01-0001

Nameplate

NP3118			
CAT.NO.	2048-151D		
HP	1.5	VOLTS	115/230
PHASE	1	AMPS	15/7.5
HZ	60	RPM	3600
SER.NO			
SPEC.	B2-3A		

Accessories

Part number	Description	Multiplier
GA16	PEDESTAL INDUSTRIAL, CAST IRON 6" - 10"	A8
GA14	PEDESTAL FABRICATED STEEL W/SHELVES	A8
GA20	PEDESTAL INDUSTRIAL, CAST IRON 8"-14"	A8
GA20E	PEDESTAL LIGHT INDUSTRIAL,STEEL	A8
AB248	2' X 48' 80 GRIT GRINDER BELT	A8
BQ1-015-CC	1PH Brake, NEMA 1,110-125 VAC, 50/60Hz	P1
BQ1-015-CP	1PH Brake, Panel 110-125 VAC, 50/60 Hz	P1
BQ2-015-CC	1PH Brake,NEMA 1 208-230 VAC,50/60Hz	
BQ2-015-CP	1PH Brake, Panel 208-230 VAC, 50/60 Hz	

AC Induction Motor Performance Data

Record # 9881

Typical performance - not guaranteed values

Winding: 35WGW811-R001		Type: 3528L		Enclosure: TEFC	
Nameplate Data			230 V, 60 Hz: High Voltage Connection		
Rated Output (HP)	1.5		Full Load Torque	2.3 LB-FT	
Volts	115/230		Start Configuration	direct on line	
Full Load Amps	15/7.5		Breakdown Torque	5.6 LB-FT	
R.P.M.	3450		Pull-up Torque	5.2 LB-FT	
Hz	60 Phase	1	Locked-rotor Torque	5.5 LB-FT	
NEMA Design Code	L KVA Code	H	Starting Current	42 A	
Service Factor (S.F.)	1		No-load Current	4.5 A	
NEMA Nom. Eff.	70 Power Factor	82	Line-line Res. @ 25°C	1.26 Ω A Ph 1.23 Ω B Ph	
Rating - Duty	40C AMB-CONT		Temp. Rise @ Rated Load	70°C	
S.F. Amps			Temp. Rise @ S.F. Load	84°C	

Load Characteristics 230 V, 60 Hz, 1.5 HP

% of Rated Load	25	50	75	100	125	150	S.F.
Power Factor	47	64	73	80	84	86	82
Efficiency	51.9	65.3	68.4	71.2	70.6	68.4	70.8
Speed	3567	3541	3514	3475	3439	3397	3453
Line amperes	5	5.8	6.9	8.6	10.2	12.1	9.6

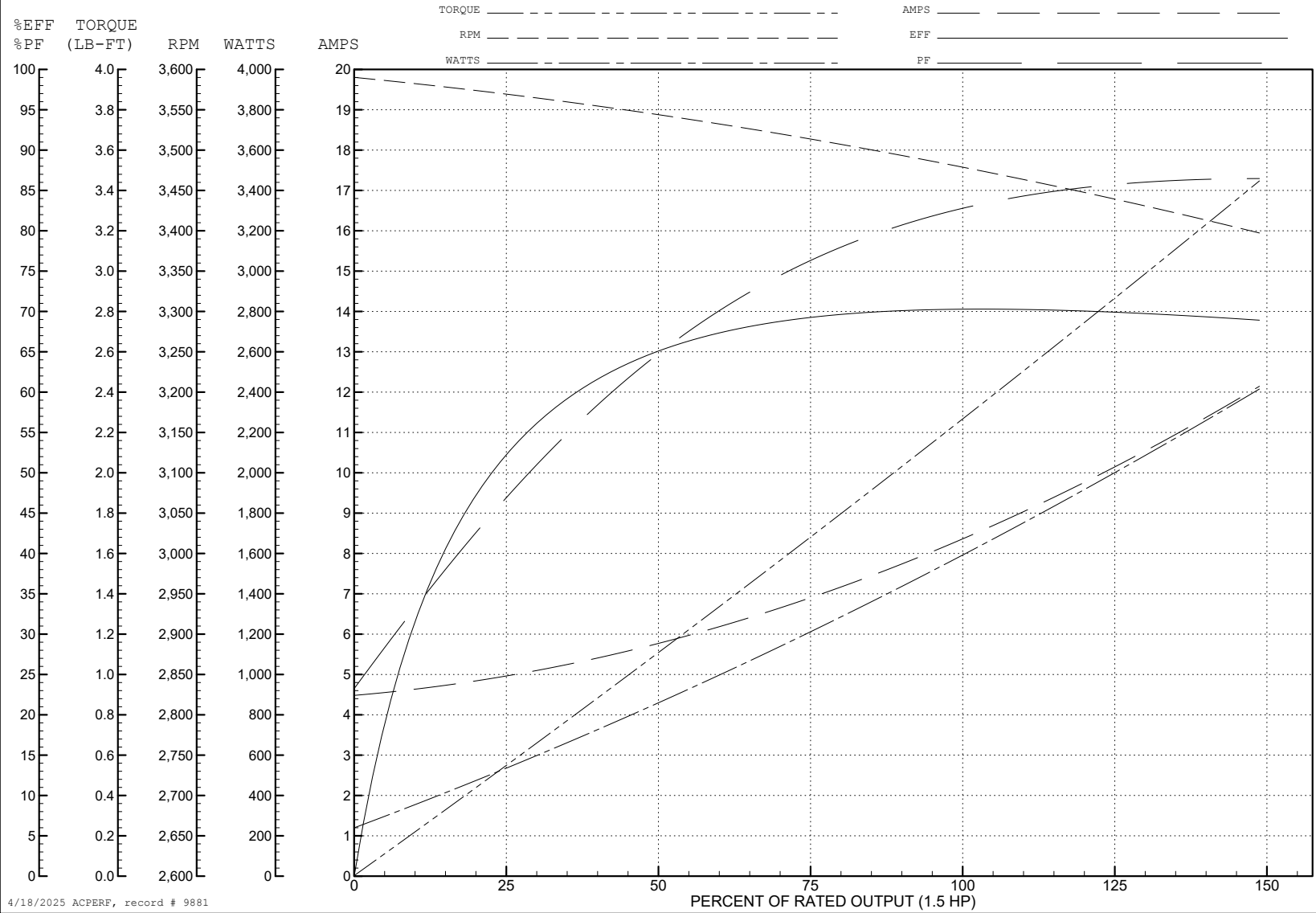
ABB Motors and Mechanical Inc.

WINDING # 35WGW811

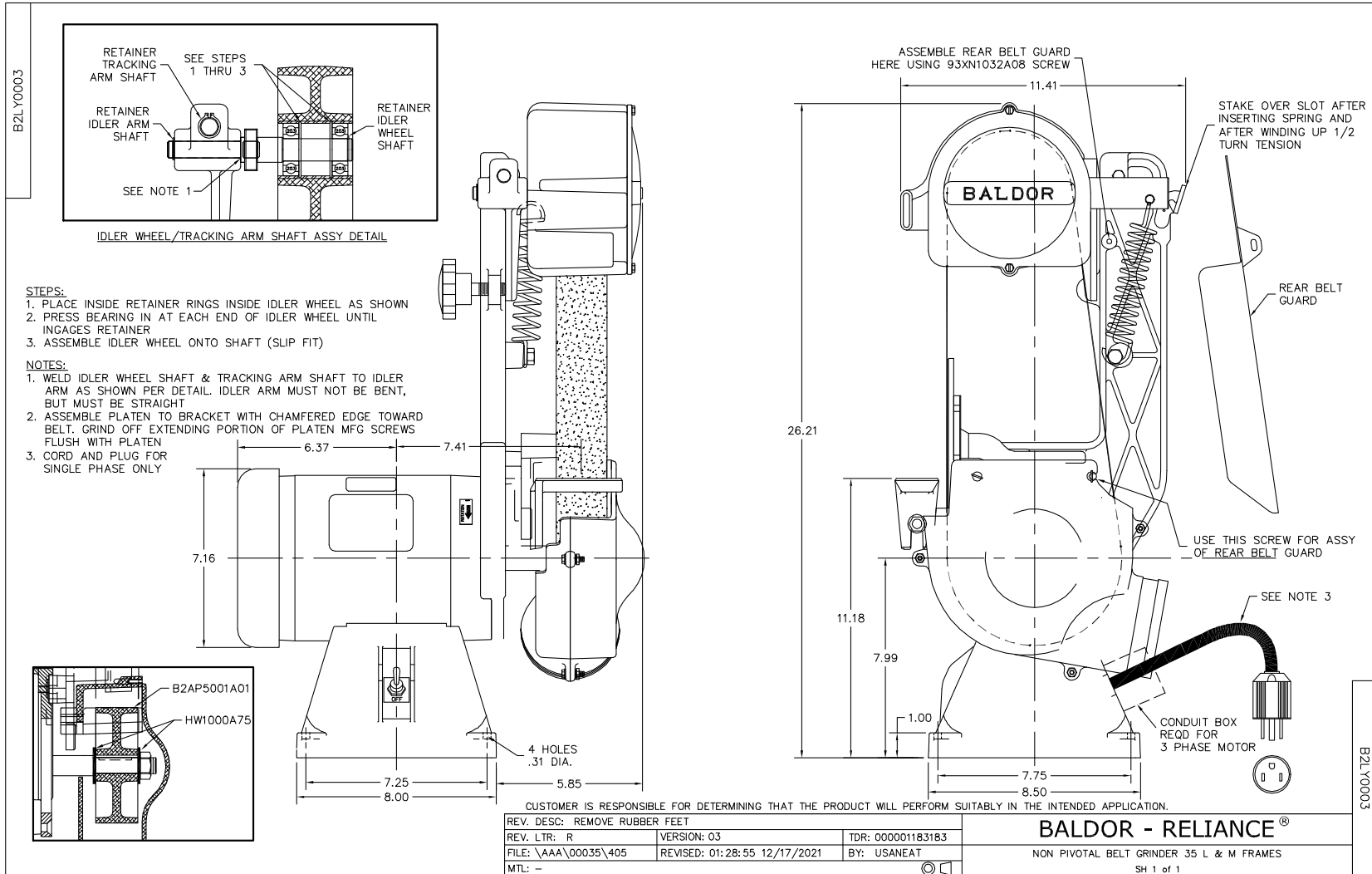
Typical performance - not guaranteed values.

1.5 HP 1 PH 60 HZ 3450 RPM 230 V 3528L

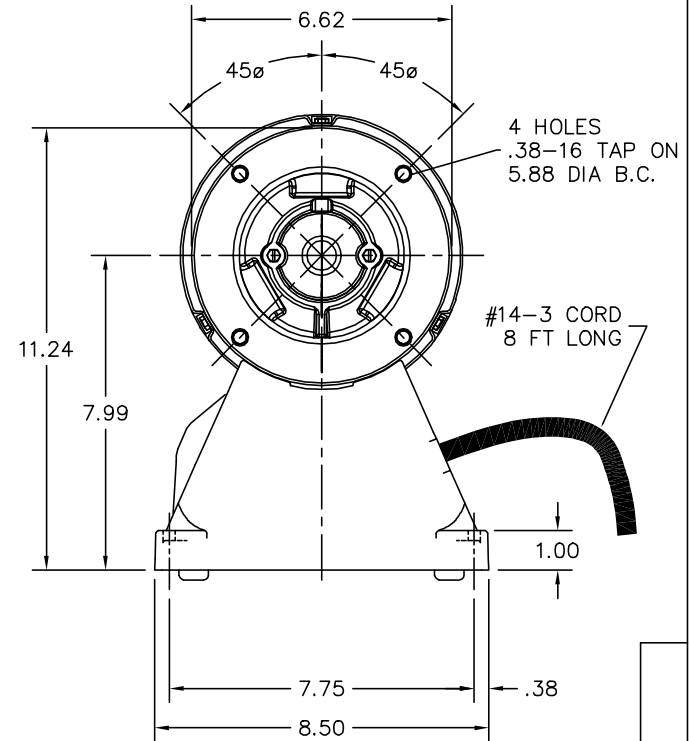
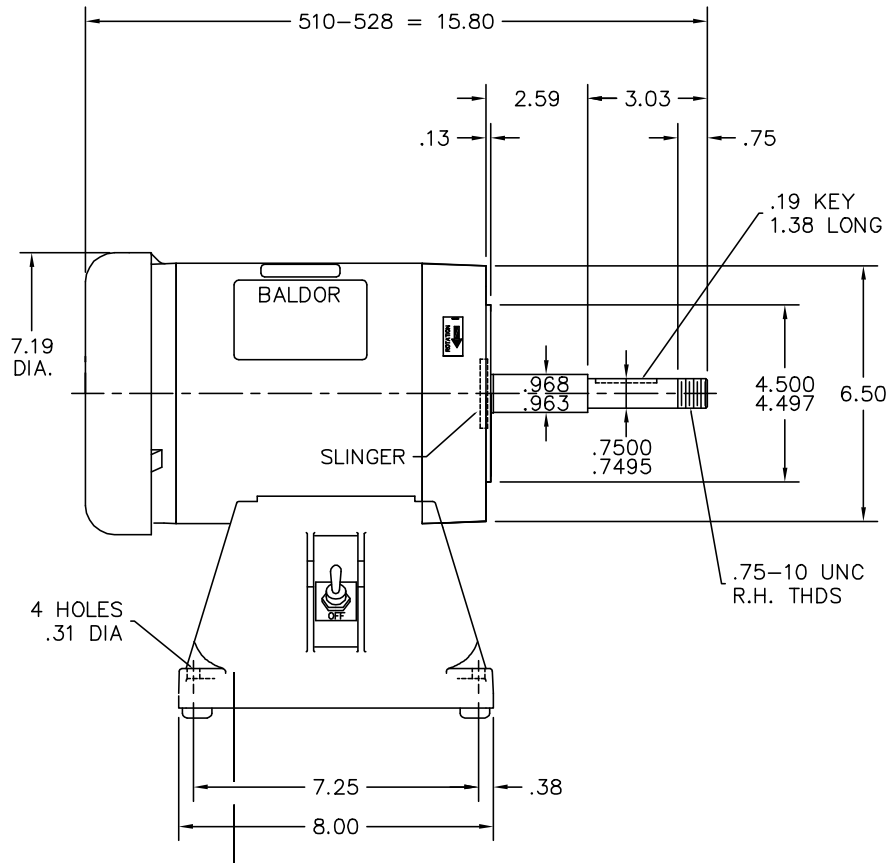
TORQUES (LB-FT): PO=5.6 PU=5.2 LR=5.5 LRA=42



4/18/2025 ACPERF, record # 9881



35LYH713



CUSTOMER IS RESPONSIBLE FOR DETERMINING THAT BALDOR'S PRODUCT WILL PERFORM SUITABLY IN THE INTENDED APPLICATION.

REV. DESC: REPLACE ENDPLATES		
REV. LTR: T	VERSION: 02	TDR: 000001063223
FILE: \AAA\00035\477	REVISED: 08:50:58 03/07/2018	BY: FGCHAH1
MTL: -		

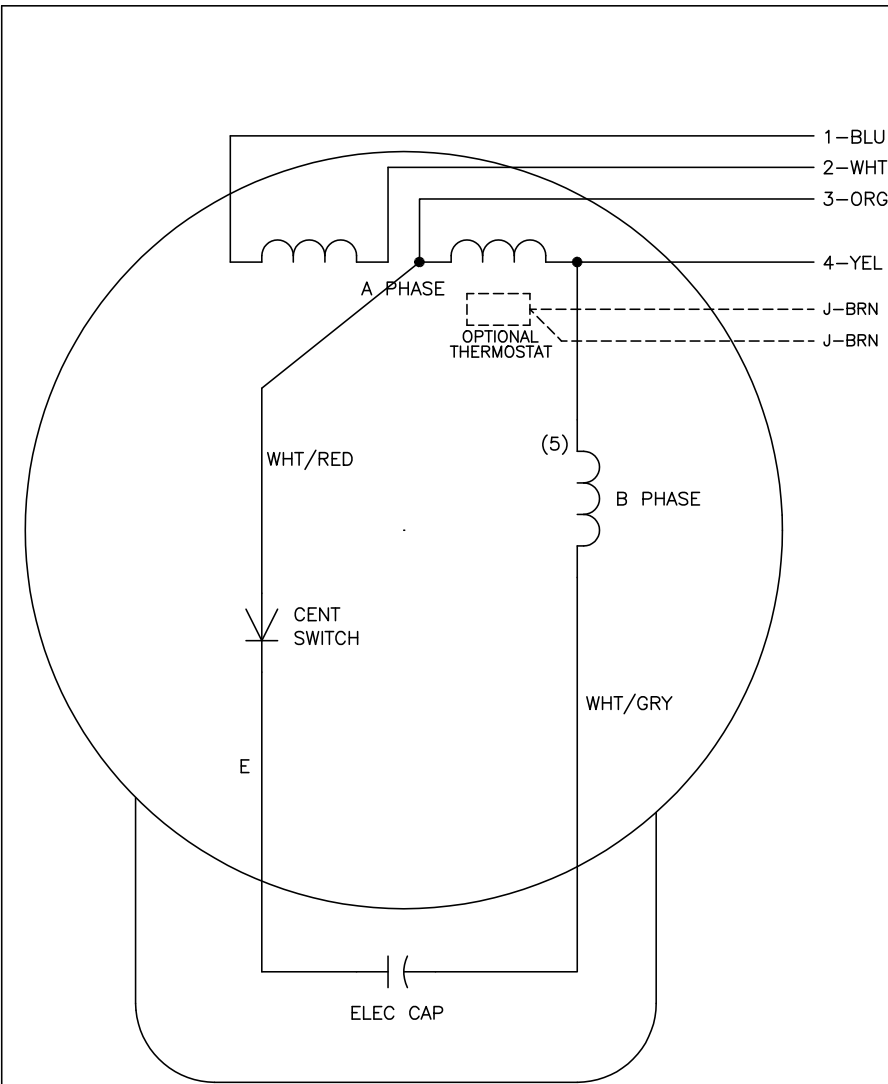
BALDOR

56CZ TEFC 35L FOR B2-3 NON-PIVOTAL BELT GRINDER

SH 1 of 1

35LYH713

CD0093



	LINE A	LINE B	JOIN
HIGH	1	4	2,3
LOW	1,3	2,4	-

NOTES:

1. CONNECTIONS ARE SHOWN FOR CCW ROTATION FACING END OPPOSITE SHAFT EXTENSION (STD). FOR CW ROTATION, INTERCHANGE 5 AND 8 INTERNALLY.
2. OPTIONAL THERMOSTAT IS PROVIDED WHEN SPECIFIED.
3. MULTIPLE CAPACITORS ARE CONNECTED IN PARALLEL UNLESS OTHERWISE SPECIFIED.
4. LEAD COLORS ARE OPTIONAL. LEADS MUST ALWAYS BE NUMBERED AS SHOWN.

CD0093

REV. DESC: REVISE TO SHOW OPTIONAL COLORS			
REV. LTR: F	BY: JLP	REVISED: 04/08/99 3:51	TDR: 0178636
Ω60000		FILE: AAA00007475	MDL: -
		MTL: -	

BALDOR ELECTRIC Co.

TYPE L, DV, FIX, 4 LEADS