




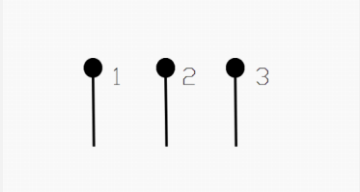
PART Nr. / NUMERO DE PARTE: 1LE23212CB213EA3
 TYPE / TIPO: SD100
 PHASE / FASES: 3
 CONECTION / CONECCIÓN: Δ



IE3

TYPE: SD100		PART Nr: 1LE23212CB213EA3		286TC	IP 55	3 PH	TEFC	NEMA B	
BEARINGS			SERIAL Nr.				CONTINUOUS DUTY		
D.E.	50BC03JP3		INSUL. CL:	F	kVA CODE:	G	WEIGHT:	470 lbs.	
O.D.E.	50BC03JP3		AMB. TEMP:	40°C	T.RISE:	CLASS B		EFFICIENCY	
HP	kW	R.P.M.	V	A	Hz	S.F.	S.F.A.	NOM. %	MIN. %
30.00	22.380	1 775	575	28.0	60	1.15	32.2	93.6	93.0

CONNECTION



VFD COMPATIBLE
AT 1.0 S.F. 20:1 V.T., 20:1 C.T.

Class I Div. 2 GR A, B, C or D T3
 Class I Zone 2 GR IIA, IIB or IIC T3
 Class II Div. 2 GR F or G T3C

Made in Mexico by ABB NEMA MOTORS

**Actual nameplate will include certification marks for ex: UR, DOE, CE, CSA, NEMA PREMIUM, etc.

**La placa de datos del motor incluye logos de certificación, por ejemplo: UR, DOE, CE, CSA, NEMA PREMIUM, etc.



Part Nr. 1LE23212CB213EA3

Data sheet for three-phase Squirrel-Cage-Motors / Hoja de datos de Motores Trifásicos Jaula de Ardilla

U [V]	Δ / Y	f [Hz]	P [HP]	P [kW]	n [rpm]	I Load [Amps]					Nom. Eff Load [%]			Pwr. Factor Load [%]			Torque [lb-ft]	T _R /T _N LRT [%]	T _K /T _N BDT [%]
						4/4	3/4	1/2	0	LRC	4/4	3/4	1/2	4/4	3/4	1/2			
575.0	Δ	60.0	30.00	22.38	1 775	28.0	21.9	16.4	9.6	174.4	93.6	94.1	93.9	85.0	82.0	73.0	89.0	180.0	250.0
Frame 286TC		Type of constr.: C - FLANGE WHIT FEET				CONTINUOUS DUTY			INSUL. CL: F			NEMA B		S.F. 1.15					
Mtr. WT: 470 lbs.		Mounting: MOUNTING - F 1 & W-6 FOR VERTICAL MOTORS P-BASE				T.RISE: CLASS B			AMB. TEMP: 40°C			KVA CODE: G		IP 55					
WHITOUT WINDING PROTECTION																			

Mechanical data / Datos Mecánicos

WK2

Rotor Moment of Inertia: 4.8 lb-ft²

Ext Load Inertia Capability: 144 lb-ft²

Safe Stall Time

Hot: 24 Sec

Cold: 44 Sec

Typical Noise Data

A-weighted Sound

Sound Pressure: 65 dB(A)

Sound Power: 76 dB(A)

Octave Band Center Frequencies Hertz: This values are for the standard bearing configuration.

	250	500	1000	2000	4000	8000	Hz
SPL@3 feet	51	55	55	62	59	51	dB(A)

Bearings / Baleros

DE

NDE

Bearing (AFBMA): 50BC03JP3 50BC03JP3

Bearing size STD: 6310 Z C3 S0 6310 Z C3 S0

Ventilation Type / Tipo de Ventilación

Type of Cooling: TEFC Fan Material: Polypropylen ESD

Fan Rotation: Bidirectional

Grease / Grasa

Type: Mobil Polyrex

Thickener: Polyurea (Standard)

Frame / Armazón

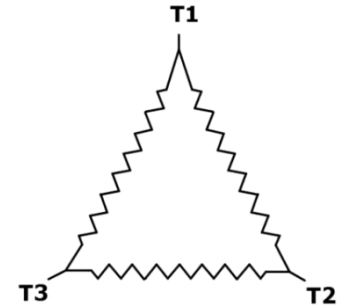
Frame material: Cast iron

Coating (paint finish): Standard Alkyed + Epoxy (C2)

Color, paint shade: Dark Charcoal Gray Metallic

Terminal box / Caja de Terminales

Terminal box position: Conduit Box (Entry from feet)



3 LEAD - DELTA

LINES			CONN.
L1	L2	L3	
T1	T2	T3	Δ

Wiring diagram

Additional information.

VFD Operation (V.T.) :	20:1
VFD Operation (C.T.) :	20:1
Area Classification:	Class I Div. 2 GR A, B, C or D T3
Hazardouz Classification:	Class I Zone 2 GR IIA, IIB or IIC T3
Hazardouz Classification:	Class II Div. 2 GR F or G T3C
Temp. Code:	T3