




PART Nr. / NUMERO DE PARTE: 1LE23212AC213EA3
 TYPE / TIPO: SD100
 PHASE / FASES: 3
 CONECTION / CONECCIÓN: Y

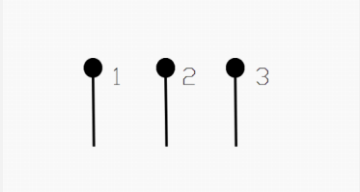


IE3

TYPE: SD100		PART Nr: 1LE23212AC213EA3		215TC	IP 55	3 PH	TEFC	NEMA B	
BEARINGS			SERIAL Nr.				CONTINUOUS DUTY		
D.E.	40BC02JP3		INSUL. CL:	F	kVA CODE:	J	WEIGHT:	181 lbs.	
O.D.E.	40BC02JP3		AMB. TEMP:	40°C	T.RISE:	CLASS B		EFFICIENCY	
HP	kW	R.P.M.	V	A	Hz	S.F.	S.F.A.	NOM. %	MIN. %
5.00	3.730	1 165	575	5.4	60	1.15	6.2	89.5	87.5

VFD COMPATIBLE
AT 1.0 S.F. 20:1 V.T., 4:1 C.T.

CONNECTION



Class I Div. 2 GR A, B, C or D T3
Class I Zone 2 GR IIA, IIB or IIC T3

Made in Mexico by ABB NEMA MOTORS

**Actual nameplate will include certification marks for ex: UR, DOE, CE, CSA, NEMA PREMIUM, etc.

**La placa de datos del motor incluye logos de certificación, por ejemplo: UR, DOE, CE, CSA, NEMA PREMIUM, etc.



Part Nr. 1LE23212AC213EA3

Data sheet for three-phase Squirrel-Cage-Motors / Hoja de datos de Motores Trifásicos Jaula de Ardilla

U [V]	Δ / Y	f [Hz]	P [HP]	P [kW]	n [rpm]	I Load [Amps]					Nom. Eff Load [%]			Pwr. Factor Load [%]			Torque [lb-ft]	T _R /T _N LRT [%]	T _K /T _N BDT [%]
						4/4	3/4	1/2	0	LRC	4/4	3/4	1/2	4/4	3/4	1/2			
575.0	Y	60.0	5.00	3.73	1 165	5.4	4.4	3.5	3.6	36.8	89.5	90.1	89.5	78.1	71.4	59.4	26.5	220.0	380.0
Frame 215TC		Type of constr.: C - FLANGE WHIT FEET				CONTINUOUS DUTY			INSUL. CL: F			NEMA B	S.F. 1.15						
Mtr. WT: 181 lbs.		Mounting: MOUNTING - F 1 & W-6 FOR VERTICAL MOTORS P-BASE				T.RISE: CLASS B			AMB. TEMP: 40°C			kVA CODE: J	IP 55						
WHITOUT WINDING PROTECTION																			

Mechanical data / Datos Mecánicos

WK2

Rotor Moment of Inertia: 0.75 lb-ft²

Ext Load Inertia Capability: 71 lb-ft²

Safe Stall Time

Hot: 14 Sec

Cold: 21 Sec

Typical Noise Data

A-weighted Sound

Sound Pressure: 64 dB(A)

Sound Power: 71 dB(A)

Octave Band Center Frequencies Hertz: This values are for the standard bearing configuration.

	250	500	1000	2000	4000	8000	Hz
SPL@3 feet	42	52	64	54	47	34	dB(A)

Bearings / Baleros

Bearing (AFBMA): 40BC02JP3 40BC02JP3

Bearing size STD: 6208 Z C3 S0 6208 Z C3 S0

Ventilation Type / Tipo de Ventilación

Type of Cooling: TEFC Fan Material: Polypropylen ESD

Fan Rotation: Bidirectional

Grease / Grasa

Type: Mobil Polyrex

Thickener: Polyurea (Standard)

Frame / Armazón

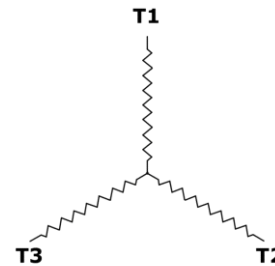
Frame material: Cast iron

Coating (paint finish): Standard Alkyed + Epoxy (C2)

Color, paint shade: Dark Charcoal Gray Metallic

Terminal box / Caja de Terminales

Terminal box position: Conduit Box (Entry from feet)



3 LEAD - WYE

LINES			CONN.
L1	L2	L3	
T1	T2	T3	Y

Wiring diagram

Additional information.

VFD Operation (V.T.) :	20:1
VFD Operation (C.T.) :	4:1
Area Classification:	Class I Div. 2 GR A, B, C or D T3
Hazardouz Classification:	Class I Zone 2 GR IIA, IIB or IIC T3
Hazardouz Classification:	--
Temp. Code:	T3