

BALDOR® • RELIANCE™

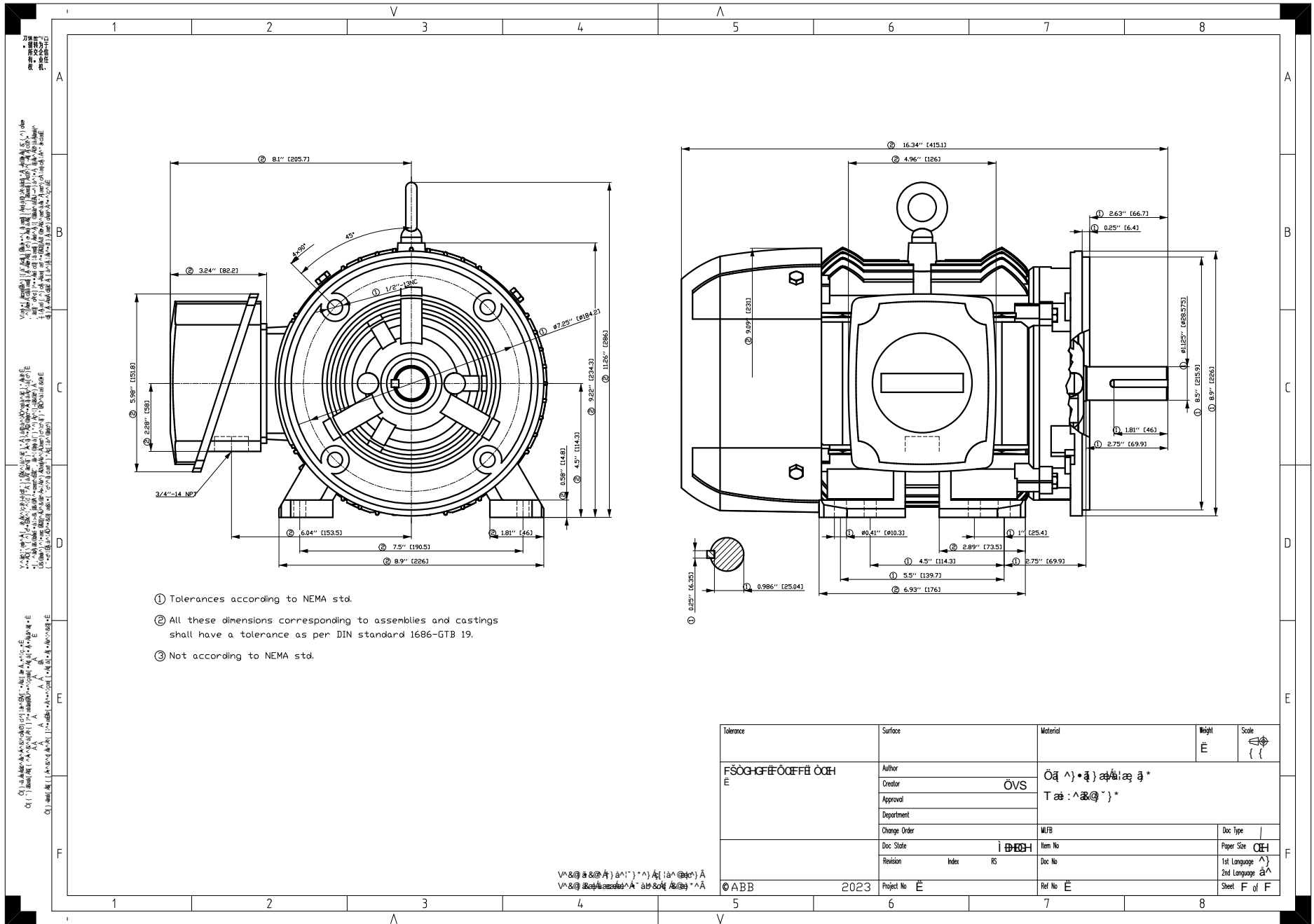
Customer information packet

1LE23211CB114EA3

MOT_3F_SD100_182TC_B/C C/P 3-4

Part detail

Revision	D
Type	AC
Mech. spec.	
Base	
Status	UNR/A
Elec. spec.	
Layout	J18LY-000-028
Eff. date	03-24-2026
CD Diagram	
Poles	///
Leads	
Proprietary	False
Created date	04-26-2023



- ① Tolerances according to NEMA std.
- ② All these dimensions corresponding to assemblies and castings shall have a tolerance as per DIN standard 1686-GTB 19.
- ③ Not according to NEMA std.

ABB 2023

Tolerance	Surface	Material	Weight	Scale
			Et	1:1
F50HGFE0CFE0EH	Author	ÖS	T a : ^ a @ *) *	
E	Creator			
	Approval			
	Department			
	Change Order	MFB	Doc Type	
	Doc State	i E B H	Item No	Paper Size C E H
	Revision	Index RS	Doc No	1st Language ^
				2nd Language a ^
ABB	2023	Project No E	Ref No E	Sheet F of F