

**BALDOR • RELIANCE**

---

# Customer information packet 1458

5HP, 1500/1800RPM, 3PH, 50/60HZ, 3735M, BUFF

**Specifications**

<b>Frequency</b>	50.00 Hz
	60.00 Hz
<b>Nameplate Output</b>	5
<b>Number of Poles</b>	4
<b>Phase</b>	3
<b>Product Style</b>	GRINDER
<b>Speed</b>	1500 rpm
	1800 rpm
<b>Voltage</b>	208 V
	230 V
	460 V

**Part detail**

<b>Revision</b>	Y
<b>Type</b>	AC
<b>Mech. spec.</b>	G14-117
<b>Base</b>	
<b>Status</b>	PRD/A
<b>Elec. spec.</b>	G4WG0036
<b>Layout</b>	G4LY0117
<b>Eff. date</b>	02-11-2022
<b>CD Diagram</b>	CD0258
<b>Poles</b>	04
<b>Leads</b>	9#14 11"FROM ENDTURN Y
<b>Proprietary</b>	False
<b>Created date</b>	01-01-0001

**Nameplate**

<b>NP3411L</b>			
<b>CAT.NO.</b>	1458		
<b>HP</b>	5	<b>VOLTS</b>	230
<b>PHASE</b>	3	<b>AMPS</b>	13.6
<b>HZ</b>	50//60	<b>RPM</b>	1500//1800
<b>SER.NO</b>			
<b>SPEC.</b>	G14-117C-0036G1		
<b>BLANK</b>			

**Accessories**

<b>Part number</b>	<b>Description</b>	<b>Multiplier</b>
GA20	PEDESTAL INDUSTRIAL, CAST IRON 8"-14"	A8

**AC Induction Motor Performance Data**

Record # 23658

Preliminary Data Sheet

Winding: G4WG0036-R001		Type: 3735M	Enclosure: TENV	
<b>Nameplate Data</b>			<b>460 V, 60 Hz: High Voltage Connection</b>	
Rated Output (HP)	5	Full Load Torque	15.1 LB-FT	
Volts	208-230/460	Start Configuration	direct on line	
Full Load Amps	15-13.6/6.8//15/6.8	Breakdown Torque	50.4 LB-FT	
R.P.M.	1500//1800	Pull-up Torque	21.4 LB-FT	
Hz	50//60 Phase	Locked-rotor Torque	29.1 LB-FT	
NEMA Design Code	B KVA Code	Starting Current	38.7 A	
Service Factor (S.F.)	1	No-load Current	2.43 A	
NEMA Nom. Eff.	0 Power Factor	Line-line Res. @ 25°C	2.24 Ω	
Rating - Duty	40C AMB-CONT	Temp. Rise @ Rated Load		
		Locked-rotor Power Factor	40	
		Rotor inertia	0.74 LB-FT <sup>2</sup>	

**Load Characteristics 460 V, 60 Hz, 5 HP**

% of Rated Load	25	50	75	100	125	150
Power Factor	53	74	83	87	90	90
Efficiency	76.9	84.7	86.7	87.1	86.5	85.5
Speed	1784	1770	1755	1739	1721	1702
Line amperes	2.87	3.74	4.87	6.15	7.56	9.09

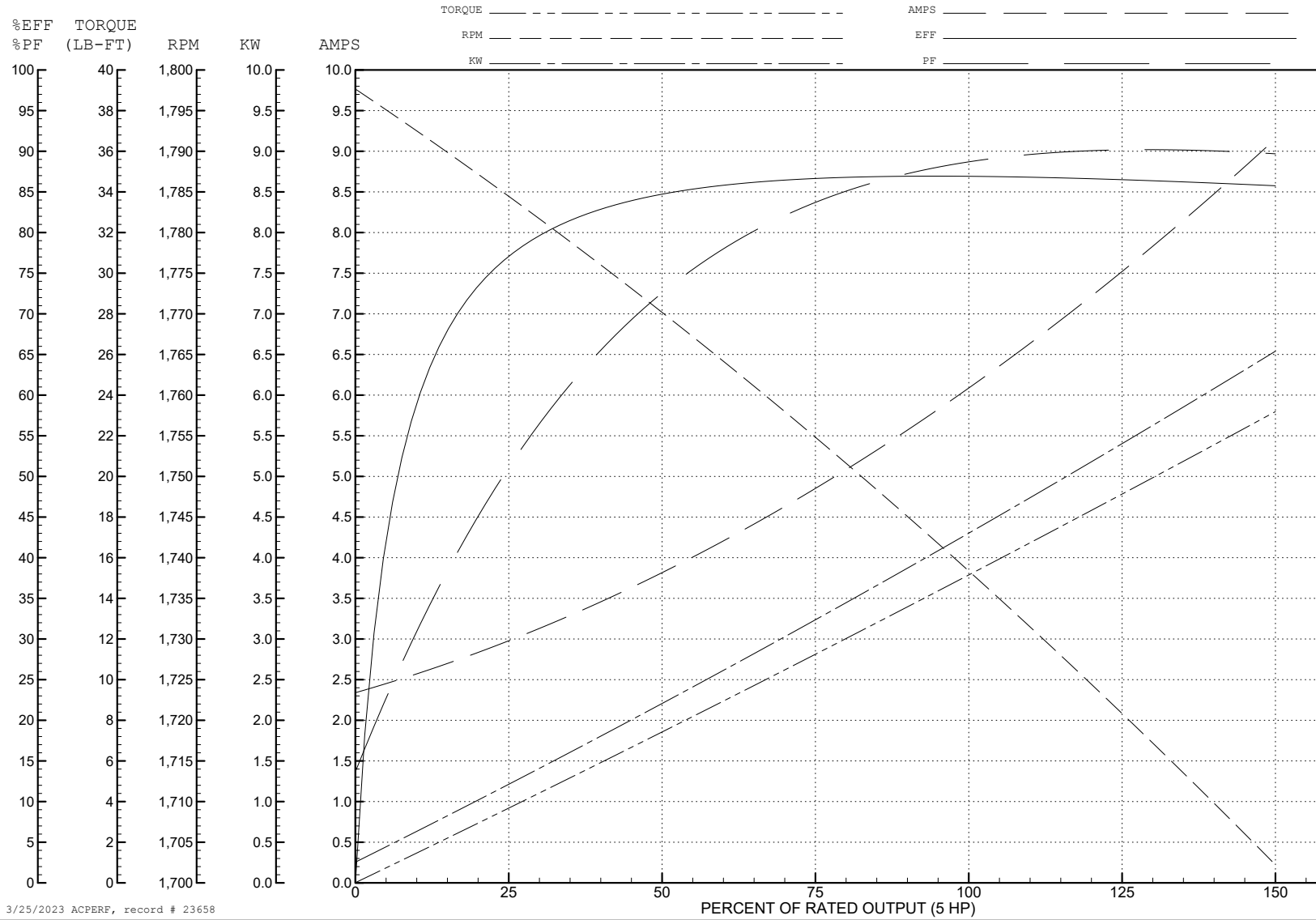
ABB Motors and Mechanical Inc.

WINDING # G4WG0036

5 HP 3 PH 60 HZ 1739 RPM 460 V 3735M

Typical performance - not guaranteed values.

TORQUES (LB-FT): PO=50.4 PU=21.4 LR=29.1 LRA=38.7



3/25/2023 ACPERF, record # 23658

**AC Induction Motor Performance Data**

Record # 23659

Preliminary Data Sheet

<b>Winding:</b> G4WG0036-R001		<b>Type:</b> 3735M		<b>Enclosure:</b> TENV	
<b>Nameplate Data</b>			<b>460 V, 50 Hz: High Voltage Connection</b>		
<b>Rated Output (HP)</b>	5	<b>Full Load Torque</b>	18.1 LB-FT		
<b>Volts</b>	208-230/460	<b>Start Configuration</b>	direct on line		
<b>Full Load Amps</b>	15-13.6/6.8//15/6.8	<b>Breakdown Torque</b>	71.6 LB-FT		
<b>R.P.M.</b>	1500//1800	<b>Pull-up Torque</b>	35.3 LB-FT		
<b>Hz</b>	50//60	<b>Phase</b>	3	<b>Locked-rotor Torque</b>	47.8 LB-FT
<b>NEMA Design Code</b>	B	<b>KVA Code</b>	H	<b>Starting Current</b>	46 A
<b>Service Factor (S.F.)</b>	1	<b>No-load Current</b>	3.33 A		
<b>NEMA Nom. Eff.</b>	0	<b>Power Factor</b>	0	<b>Line-line Res. @ 25°C</b>	2.24 Ω
<b>Rating - Duty</b>	40C AMB-CONT		<b>Temp. Rise @ Rated Load</b>		
		<b>Locked-rotor Power Factor</b>	47		
		<b>Rotor inertia</b>	0.74 LB-FT <sup>2</sup>		

**Load Characteristics 460 V, 50 Hz, 5 HP**

<b>% of Rated Load</b>	<b>25</b>	<b>50</b>	<b>75</b>	<b>100</b>	<b>125</b>	<b>150</b>
<b>Power Factor</b>	43	64	76	83	86	88
<b>Efficiency</b>	73.7	82.7	85.4	86	85.7	84.9
<b>Speed</b>	1487	1475	1462	1449	1434	1419
<b>Line amperes</b>	3.67	4.4	5.4	6.58	7.91	9.36

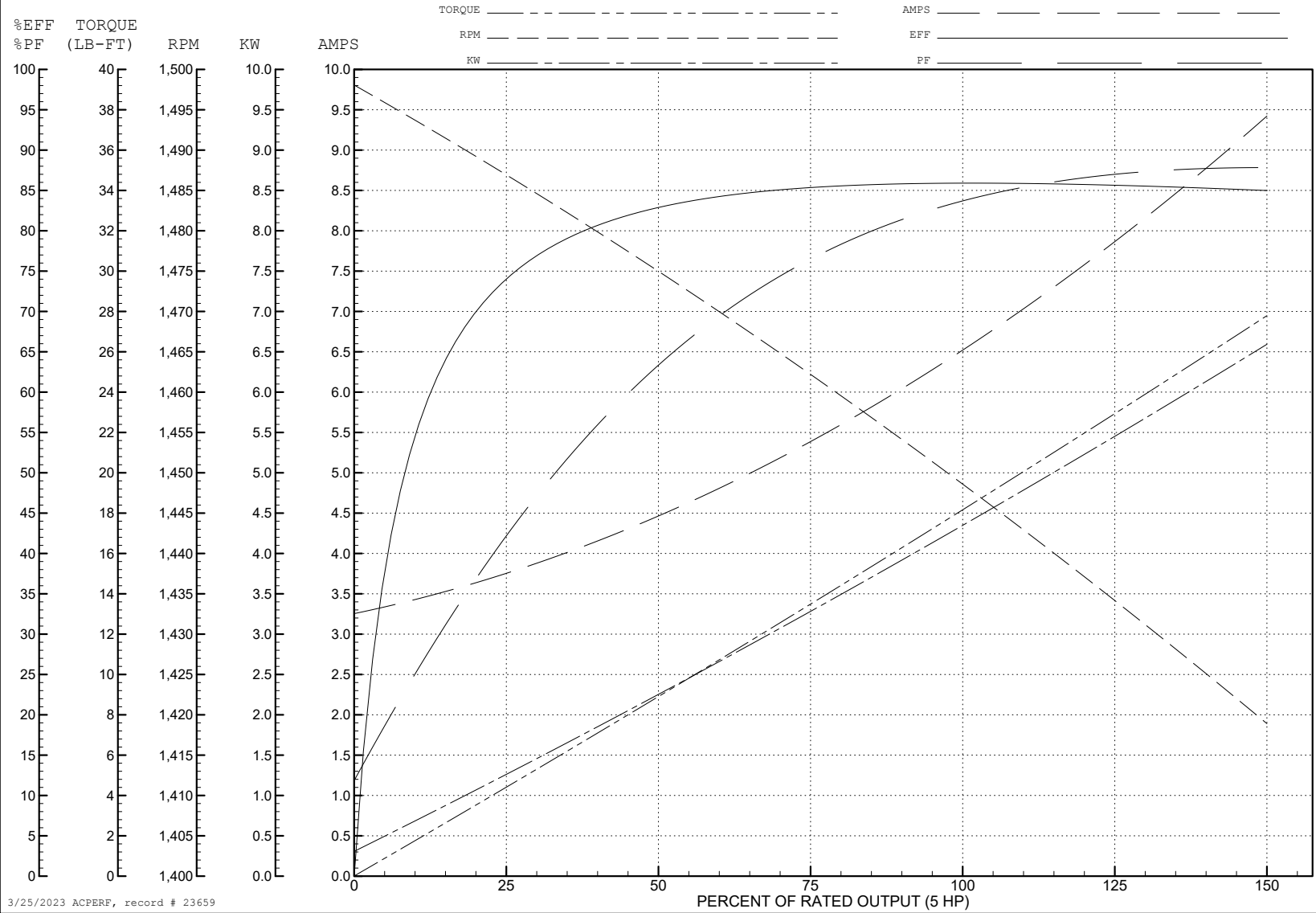
ABB Motors and Mechanical Inc.

WINDING # G4WG0036

5 HP 3 PH 50 HZ 1449 RPM 460 V 3735M

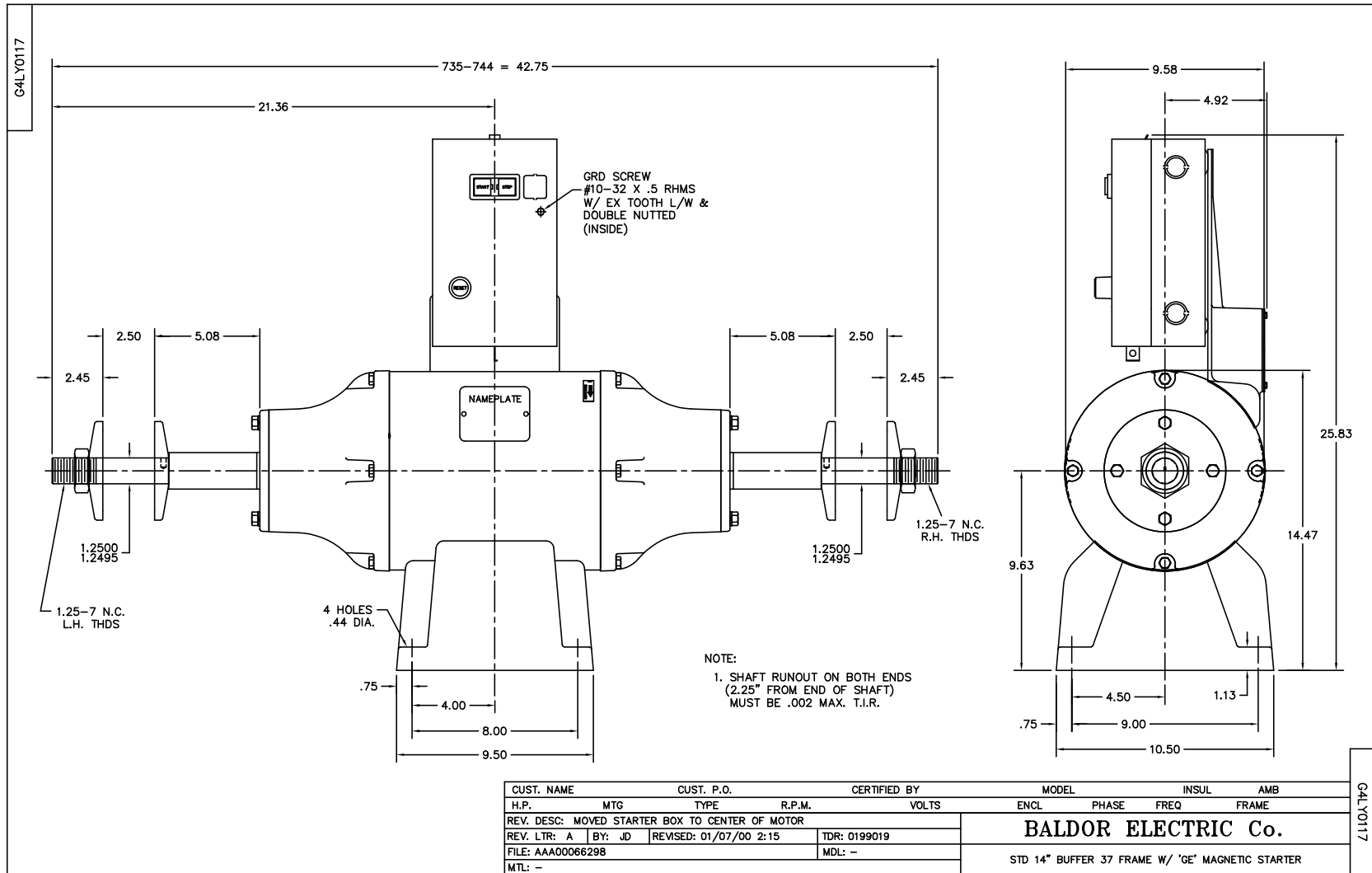
Typical performance - not guaranteed values.

TORQUES (LB-FT): PO=71.6 PU=35.3 LR=47.8 LRA=46

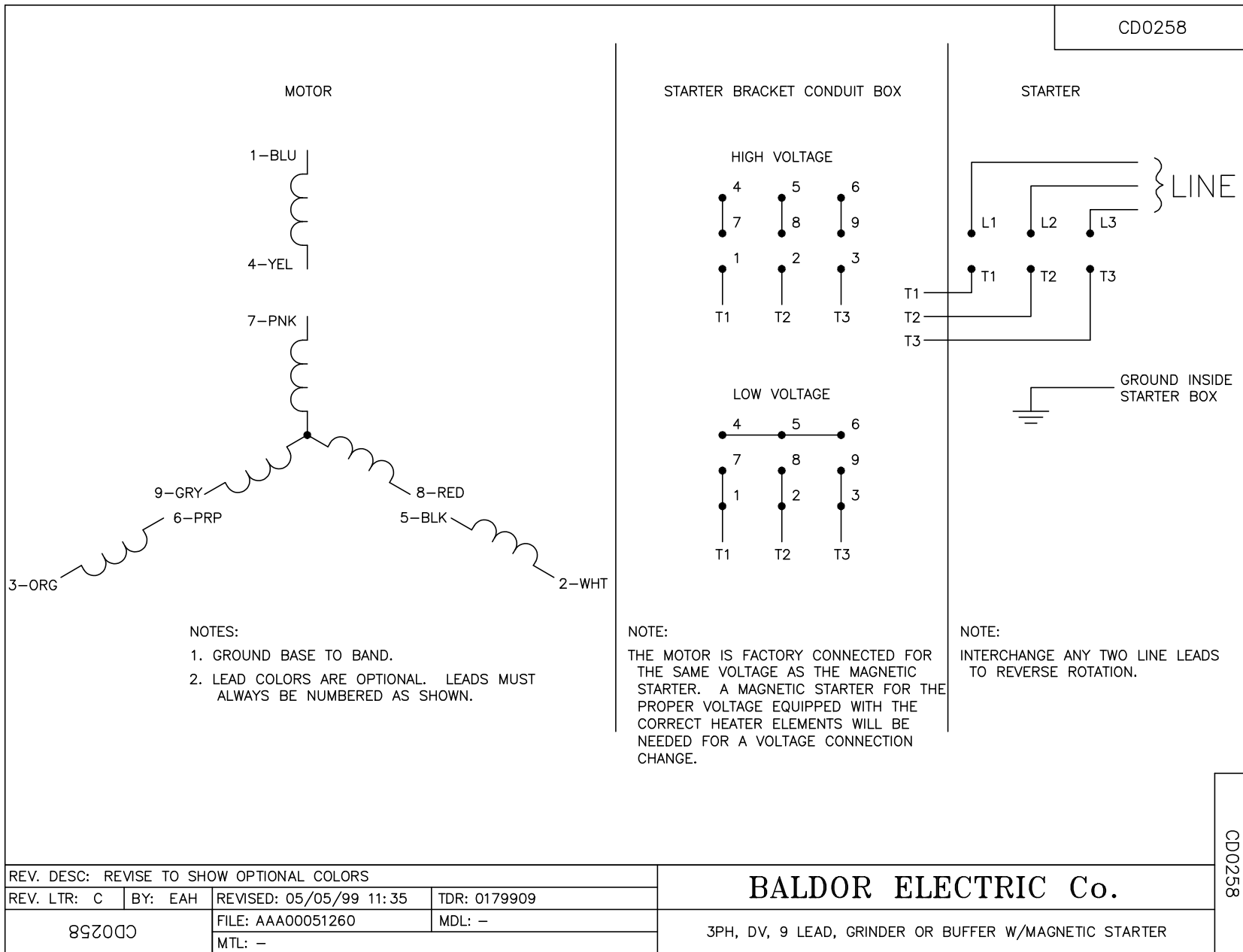


3/25/2023 ACPERF, record # 23659





CD0258



CD0258

REV. DESC: REVISE TO SHOW OPTIONAL COLORS			
REV. LTR: C	BY: EAH	REVISED: 05/05/99 11:35	TDR: 0179909
89Z0C0		FILE: AAA00051260	MDL: -
		MTL: -	

**BALDOR ELECTRIC Co.**

3PH, DV, 9 LEAD, GRINDER OR BUFFER W/MAGNETIC STARTER