

ABB BALDOR RELIANCE III

Customer information packet 1453

7.5HP, 3000/3600RPM, 3PH, 50/60HZ, 3735M

Specifications

Enclosure	TENV
Frame Material	Steel
Frequency	50.00 Hz 60.00 Hz 50.00 Hz 60.00 Hz
Motor Letter Type	Three Phase
Nameplate Output	7.5
Number of Poles	2 2
Output @ Frequency	7.500 HP @ 60 HZ 7.500 HP @ 50 HZ
Phase	3 3
Product Style	GRINDER
Speed	3000 rpm 3600 rpm 3000 rpm 3600 rpm
Synchronous Speed @ Frequency	3600 RPM @ 60 HZ
Voltage	208 V 230 V 460 V
Voltage @ Frequency	208.0 V @ 60 HZ 230.0 V @ 50 HZ 230.0 V @ 60 HZ 460.0 V @ 50 HZ 460.0 V @ 60 HZ 208.0 V @ 50 HZ
Agency Approvals	CSA UR
Ambient Temperature	40 °C
Base Indicator	Rigid

Part Detail

Revision	Z
Type	AC
Mech. spec.	G14-117
Base	
Status	PRD/A
Elec. spec.	G4WG0046
Layout	G4LY0117
Eff. date	12-15-2021
CD Diagram	CD0258
Poles	02
Leads	9#14 11"FROM ENDTURN Y
Proprietary	False
Created date	01-01-0001

Current @ Voltage	20.000 A @ 230.0 V 20.000 A @ 208.0 V 10.000 A @ 460.0 V 10.000 A @ 230.0 V
Design Code	B
Duty Rating	CONT
Insulation Class	B
KVA Code	-
Motor Lead Quantity/Wire Size	9 @ 14 AWG
Motor Standards	Other
Motor Type	3735M
Mounting Arrangement	F1
Product Family	Buffer
Service Factor	1.00
Shaft Extension Location	Double Shaft
Shaft Rotation	Phase Seq-Opp Std Rot (CWODE)
Speed Code	Single Speed
Starting Method	Direct on line

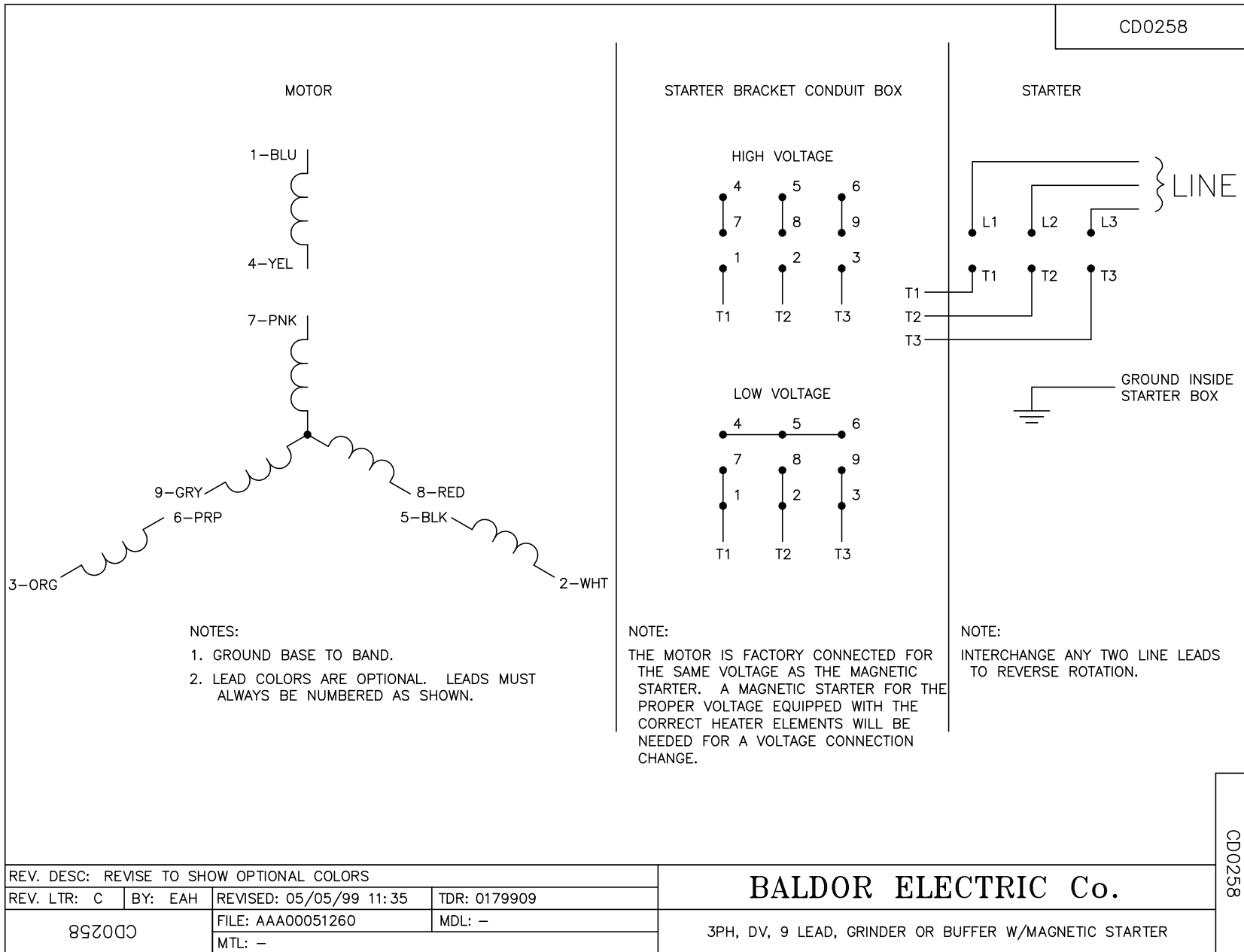
Nameplate

NP3411L			
CAT.NO.	1453		
HP	7.5	VOLTS	230
PHASE	3	AMPS	20
HZ	50//60	RPM	3000//3600
SER.NO			
SPEC.	G14-117A-0046G1		
BLANK			

Accessories

Part number	Description	Multiplier
GA20	PEDESTAL INDUSTRIAL, CAST IRON 8"-14"	A8

CD0258



CD0258

REV. DESC: REVISE TO SHOW OPTIONAL COLORS			
REV. LTR: C	BY: EAH	REVISED: 05/05/99 11:35	TDR: 0179909
89Z0C0		FILE: AAA00051260	MDL: -
		MTL: -	

BALDOR ELECTRIC Co.

3PH, DV, 9 LEAD, GRINDER OR BUFFER W/MAGNETIC STARTER