

**BALDOR® • RELIANCE®**

---

# Customer information packet

## 1411W

40M 4P GRINDER

**Specifications**

<b>Frequency</b>	50.00 Hz
	60.00 Hz
<b>Nameplate Output</b>	7.5
<b>Number of Poles</b>	4
<b>Phase</b>	3
<b>Product Style</b>	GRINDER
<b>Speed</b>	1500 rpm
	1800 rpm
<b>Voltage</b>	208 V
	230 V
	460 V

**Part detail**

<b>Revision</b>	N
<b>Type</b>	AC
<b>Mech. spec.</b>	G14-116
<b>Base</b>	
<b>Status</b>	PRD/A
<b>Elec. spec.</b>	G4WG0040
<b>Layout</b>	G4LY0116
<b>Eff. date</b>	12-15-2021
<b>CD Diagram</b>	CD0258
<b>Poles</b>	04
<b>Leads</b>	9#14
<b>Proprietary</b>	False
<b>Created date</b>	07-12-2007

**Nameplate**

<b>NP3361L</b>			
<b>CAT.NO.</b>	1411W		
<b>HP</b>	7.5	<b>VOLTS</b>	208-230/460
<b>PHASE</b>	3	<b>AMPS</b>	18.8/9.4
<b>HZ</b>	50//60	<b>RPM</b>	1500//1800
<b>SER.NO</b>			
<b>SPEC.</b>	G14-116C-0040		
<b>BLANK</b>			

**Accessories**

<b>Part number</b>	<b>Description</b>	<b>Multiplier</b>
GA20	PEDESTAL INDUSTRIAL, CAST IRON 8"-14"	A8
GA9	PAIR LIGHTED EYESHIELDS	A8
GA9-1	SINGLE LIGHTED EYESHIELD	A8
GA9S	PAIR EYESHIELDS W/ ON-OFF SWITCH	A8
GA11	PAIR EYESHIELDS	A8
B147	14" 30 GRIT GRINDING WHEEL	A8
B148	14" 46 GRIT GRINDING WHEEL	A8
DC14-3	DUST CONTROL FOR 14 IN GRINDER	A8

**AC Induction Motor Performance Data**

Record # 94757

Typical performance - not guaranteed values

Winding: G4WG0040-R001		Type: G1440M	Enclosure: TENV	
<b>Nameplate Data</b>			<b>460 V, 50 Hz: High Voltage Connection</b>	
Rated Output (HP)	7.5	Full Load Torque	27.03 LB-FT	
Volts	208-230/460	Start Configuration	direct on line	
Full Load Amps	18.8/9.4	Breakdown Torque	95.9 LB-FT	
R.P.M.	1500//1800	Pull-up Torque	36.5 LB-FT	
Hz	50//60 Phase	Locked-rotor Torque	55.8 LB-FT	
NEMA Design Code	- KVA Code	Starting Current	67.4 A	
Service Factor (S.F.)	1	No-load Current	3.26 A	
NEMA Nom. Eff.	0 Power Factor	Line-line Res. @ 25°C	1.94 Ω	
Rating - Duty	40C AMB-CONT	Temp. Rise @ Rated Load	36°C	
		Locked-rotor Power Factor	36.9	
		Rotor inertia	0.984 lb-ft <sup>2</sup>	

**Load Characteristics 460 V, 50 Hz, 7.5 HP**

% of Rated Load	25	50	75	100	125	150
Power Factor	53	74	82	85	87	87
Efficiency	83.8	89.2	89.9	89.5	87.9	85.4
Speed	1490	1480	1470	1459	1447	1431
Line amperes	3.86	5.23	7.1	9.2	11.5	14.12

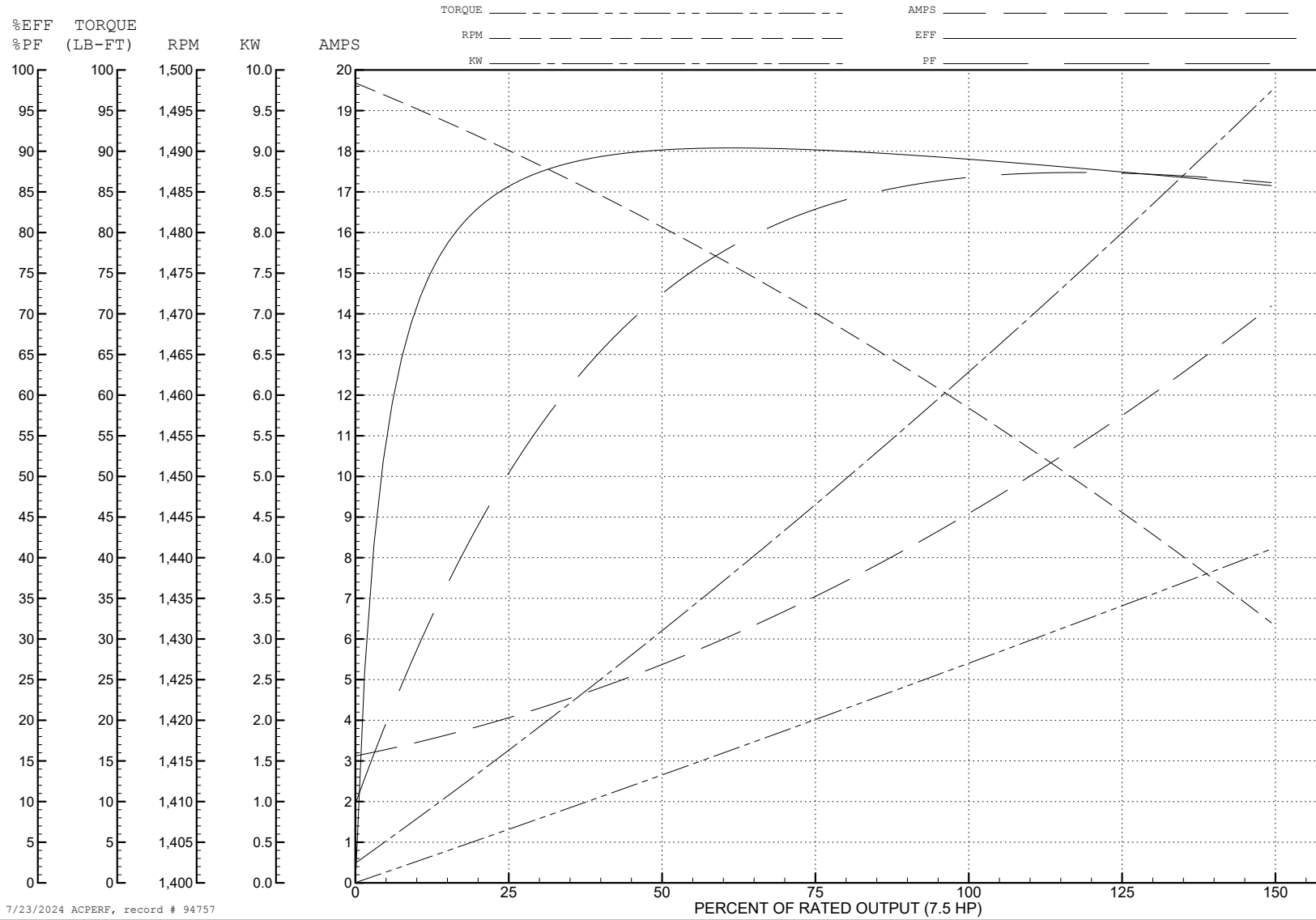
ABB Motors and Mechanical Inc.

WINDING # G4WG0040

7.5 HP 3 PH 50 HZ 1459 RPM 460 V G1440M

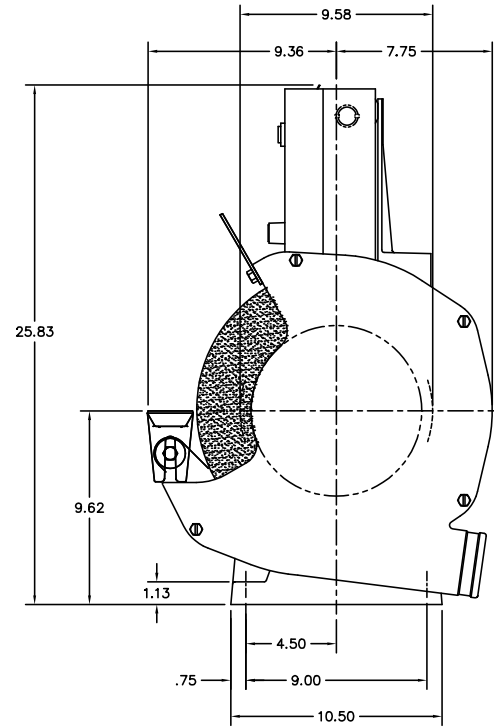
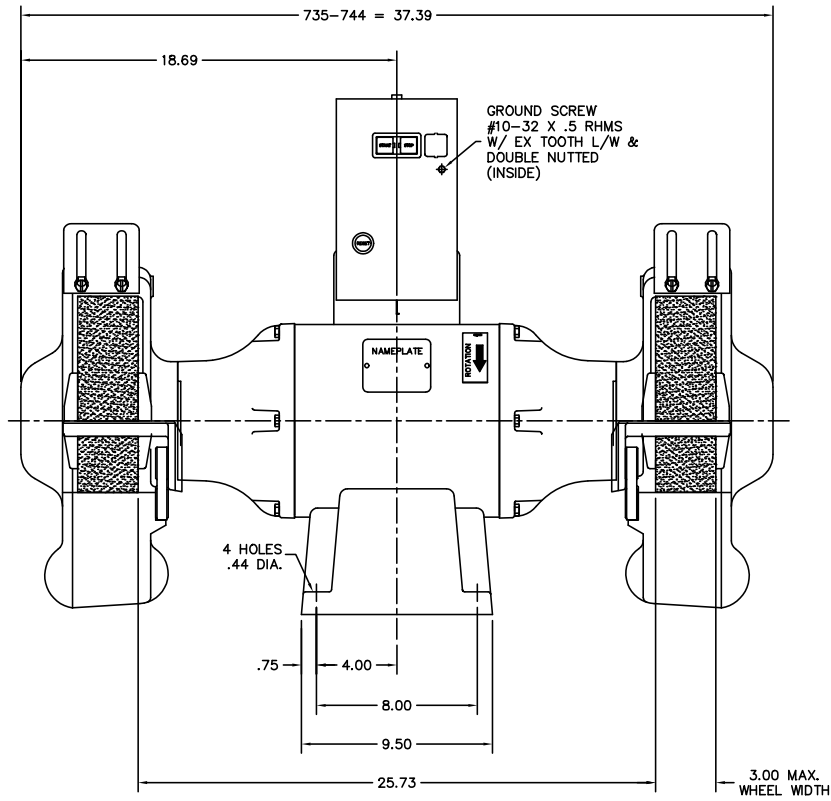
Typical performance - not guaranteed values.

TORQUES (LB-FT): PO=95.9 PU=36.5 LR=55.8 LRA=67.4



7/23/2024 ACPERF, record # 94757

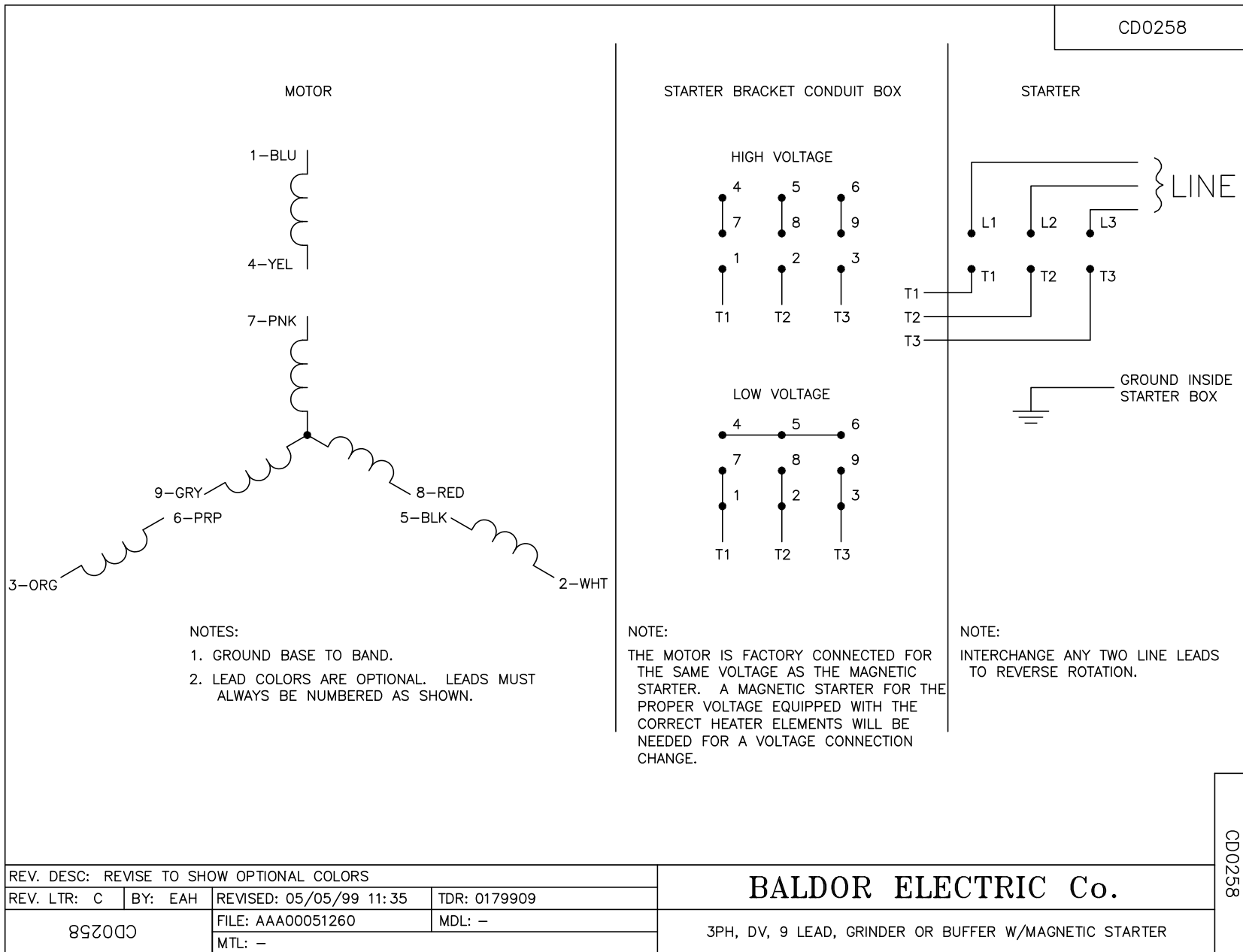
G4LY0116



CUST. NAME		CUST. P.O.		CERTIFIED BY		MODEL		INSUL	AMB
H.P.	MTG	TYPE	R.P.M.	VOLTS		ENCL	PHASE	FREQ	FRAME
REV. DESC: MOVED STARTER BOX TO CENTER OF MOTOR						<b>BALDOR ELECTRIC Co.</b>			
REV. LTR: A	BY: JD	REVISED: 01/07/00 1:55	TDR: 0199019						
FILE: AAA00066297				MDL: -		STD 14" GRINDER 37 W/REAR EXHAUST & 'GE' MAGNETIC STARTER			
MTL: -									

G4LY0116

CD0258



CD0258

REV. DESC: REVISE TO SHOW OPTIONAL COLORS			
REV. LTR: C	BY: EAH	REVISED: 05/05/99 11:35	TDR: 0179909
89Z000		FILE: AAA00051260	MDL: -
		MTL: -	

**BALDOR ELECTRIC Co.**

3PH, DV, 9 LEAD, GRINDER OR BUFFER W/MAGNETIC STARTER



