

# **ABB BALDOR RELIANCE III**

---

## **Customer information packet** 1410W

35M 4P GRINDER

**Specifications**

<b>Enclosure</b>	TENV
<b>Frame Material</b>	Steel
<b>Frequency</b>	50.00 Hz 60.00 Hz 50.00 Hz 60.00 Hz
<b>Motor Letter Type</b>	Three Phase
<b>Nameplate Output</b>	5
<b>Number of Poles</b>	4 4
<b>Output @ Frequency</b>	5.000 HP @ 60 HZ 5.000 HP @ 50 HZ
<b>Phase</b>	3 3
<b>Shaft Diameter</b>	1.250 IN 1.250 IN
<b>Speed</b>	1500 rpm 1800 rpm 1500 rpm 1800 rpm
<b>Synchronous Speed @ Frequency</b>	1800 RPM @ 60 HZ
<b>Voltage</b>	208 V 230 V 460 V
<b>Voltage @ Frequency</b>	460.0 V @ 60 HZ 460.0 V @ 50 HZ 208.0 V @ 50 HZ 208.0 V @ 60 HZ 230.0 V @ 50 HZ 230.0 V @ 60 HZ
<b>Ambient Temperature</b>	40 °C
<b>Base Indicator</b>	Rigid
<b>Current @ Voltage</b>	6.350 A @ 230.0 V

**Part Detail**

<b>Revision</b>	E
<b>Type</b>	AC
<b>Mech. spec.</b>	G14-116
<b>Base</b>	
<b>Status</b>	PRD/A
<b>Elec. spec.</b>	G4WG0119
<b>Layout</b>	G4LY0116
<b>Eff. date</b>	06-05-2026
<b>CD Diagram</b>	CD0258
<b>Poles</b>	04
<b>Leads</b>	9#14
<b>Proprietary</b>	False
<b>Created date</b>	11-20-2020

12.700 A @ 208.0 V

<b>Design Code</b>	B
<b>Duty Rating</b>	CONT
<b>Insulation Class</b>	B
<b>KVA Code</b>	H
<b>Motor Lead Quantity/Wire Size</b>	9 @ 14 AWG
<b>Motor Standards</b>	Other
<b>Motor Type</b>	3735M
<b>Mounting Arrangement</b>	F1
<b>Product Family</b>	Grinder
<b>Service Factor</b>	1.00
<b>Shaft Rotation</b>	Phase Seq-Opp Std Rot (CWODE)
<b>Speed Code</b>	Single Speed
<b>Starting Method</b>	Direct on line
<b>Winding Thermal 1</b>	None
<b>Winding Thermal 2</b>	None

**Nameplate**

<b>NP3361L</b>			
<b>CAT.NO.</b>	1410W		
<b>HP</b>	5	<b>VOLTS</b>	460
<b>PHASE</b>	3	<b>AMPS</b>	6.35
<b>HZ</b>	50//60	<b>RPM</b>	1500//1800
<b>SER.NO</b>			
<b>SPEC.</b>	G14-116F-0119G1		
<b>BLANK</b>			

**Accessories**

<b>Part number</b>	<b>Description</b>	<b>Multiplier</b>
GA20	PEDESTAL INDUSTRIAL, CAST IRON 8"-14"	A8
GA9	PAIR LIGHTED EYESHIELDS	A8
GA9-1	SINGLE LIGHTED EYESHIELD	A8
GA9S	PAIR EYESHIELDS W/ ON-OFF SWITCH	A8
GA11	PAIR EYESHIELDS	A8
B147	14" 30 GRIT GRINDING WHEEL	A8
B148	14" 46 GRIT GRINDING WHEEL	A8
DC14-3	DUST CONTROL FOR 14 IN GRINDER	A8

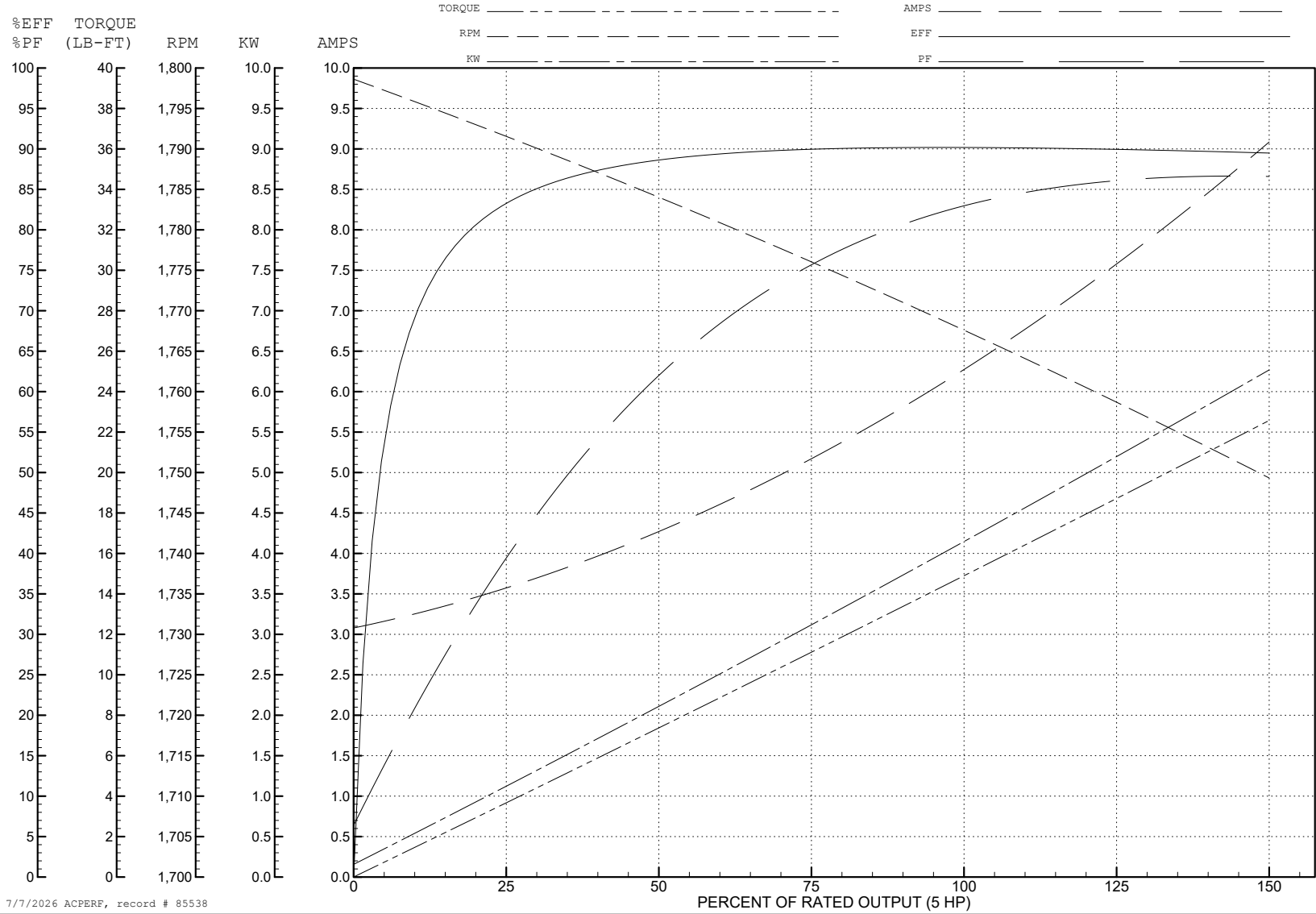
ABB Motors and Mechanical Inc.

WINDING # G4WG0119

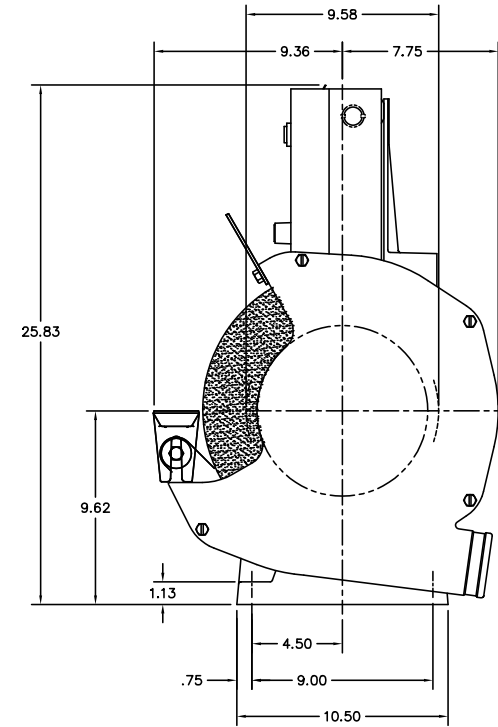
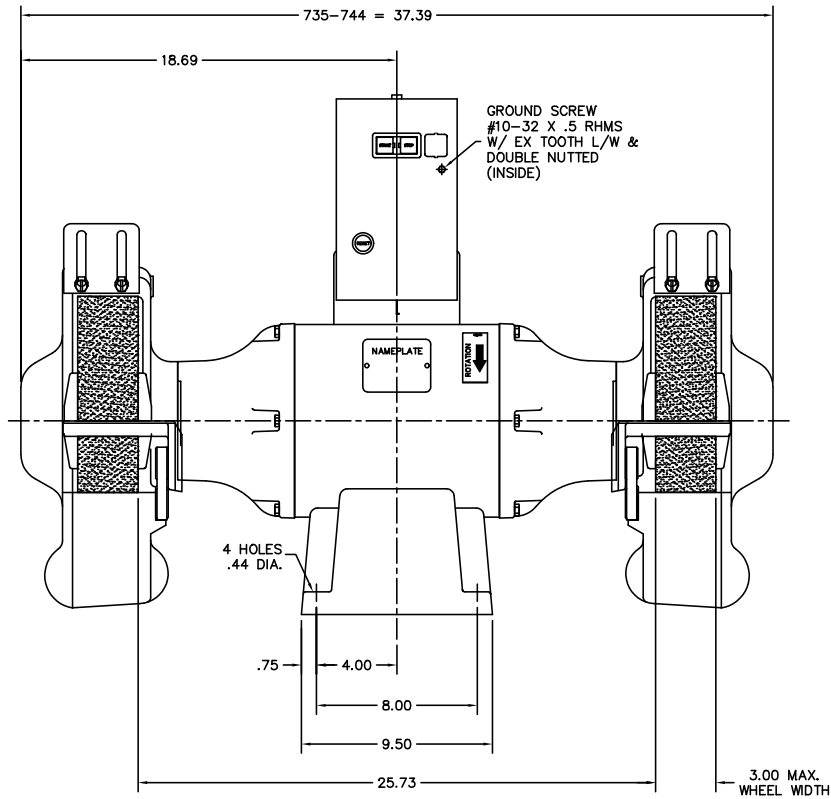
Typical performance - not guaranteed values.

5 HP 3 PH 60 HZ 1768 RPM 460 V G1435M

TORQUES (LB-FT): PO=53.78 PU=22.93 LR=31.17 LRA=41.65



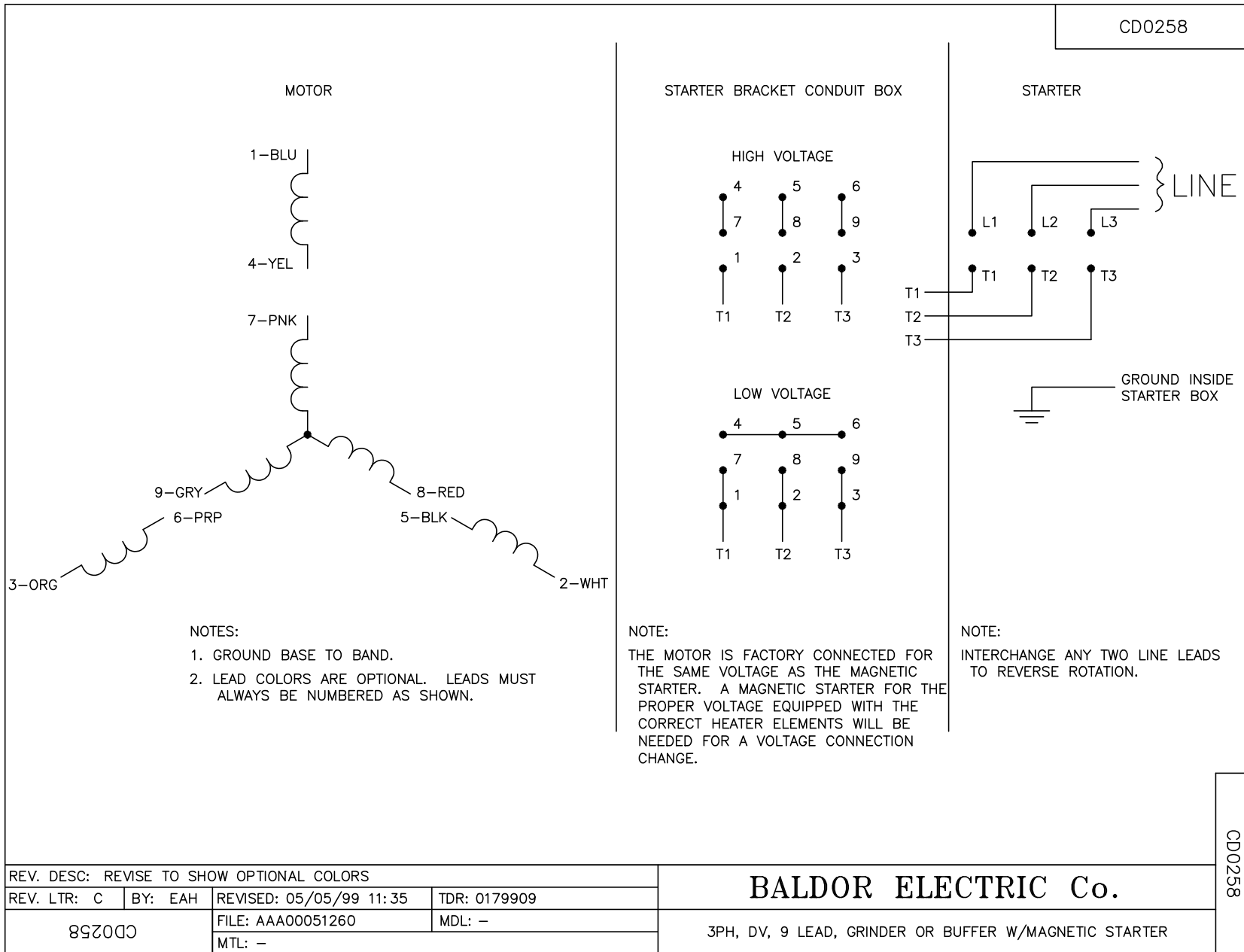
G4LY0116



CUST. NAME		CUST. P.O.		CERTIFIED BY		MODEL		INSUL		AMB	
H.P.	MTG	TYPE	R.P.M.	VOLTS		ENCL	PHASE	FREQ	FRAME		
REV. DESC: MOVED STARTER BOX TO CENTER OF MOTOR						<b>BALDOR ELECTRIC Co.</b>					
REV. LTR: A	BY: JD	REVISED: 01/07/00 1:55	TDR: 0199019								
FILE: AAA00066297			MDL: -								
MTL: -						STD 14" GRINDER 37 W/REAR EXHAUST & 'GE' MAGNETIC STARTER					

G4LY0116

CD0258



CD0258

REV. DESC: REVISE TO SHOW OPTIONAL COLORS			
REV. LTR: C	BY: EAH	REVISED: 05/05/99 11:35	TDR: 0179909
89Z0C0		FILE: AAA00051260	MDL: -
		MTL: -	

**BALDOR ELECTRIC Co.**

3PH, DV, 9 LEAD, GRINDER OR BUFFER W/MAGNETIC STARTER

